



SERVICE PARTS LIST

BULLETIN NO.
54-24-1306

SPECIFY CATALOG NO. AND SERIAL NO. WHEN ORDERING PARTS		REVISED BULLETIN 54-24-1305	DATE Jan.'88
"D" HANDLE HAMMER DRILL		WIRING INSTRUCTION 58-01-0182	
CATALOG NO. 5398	STARTING SERIAL NO. 556-78100		



EXAMPLE:
Component Parts (Small #) Are Included
When Ordering The Assembly (Large #).

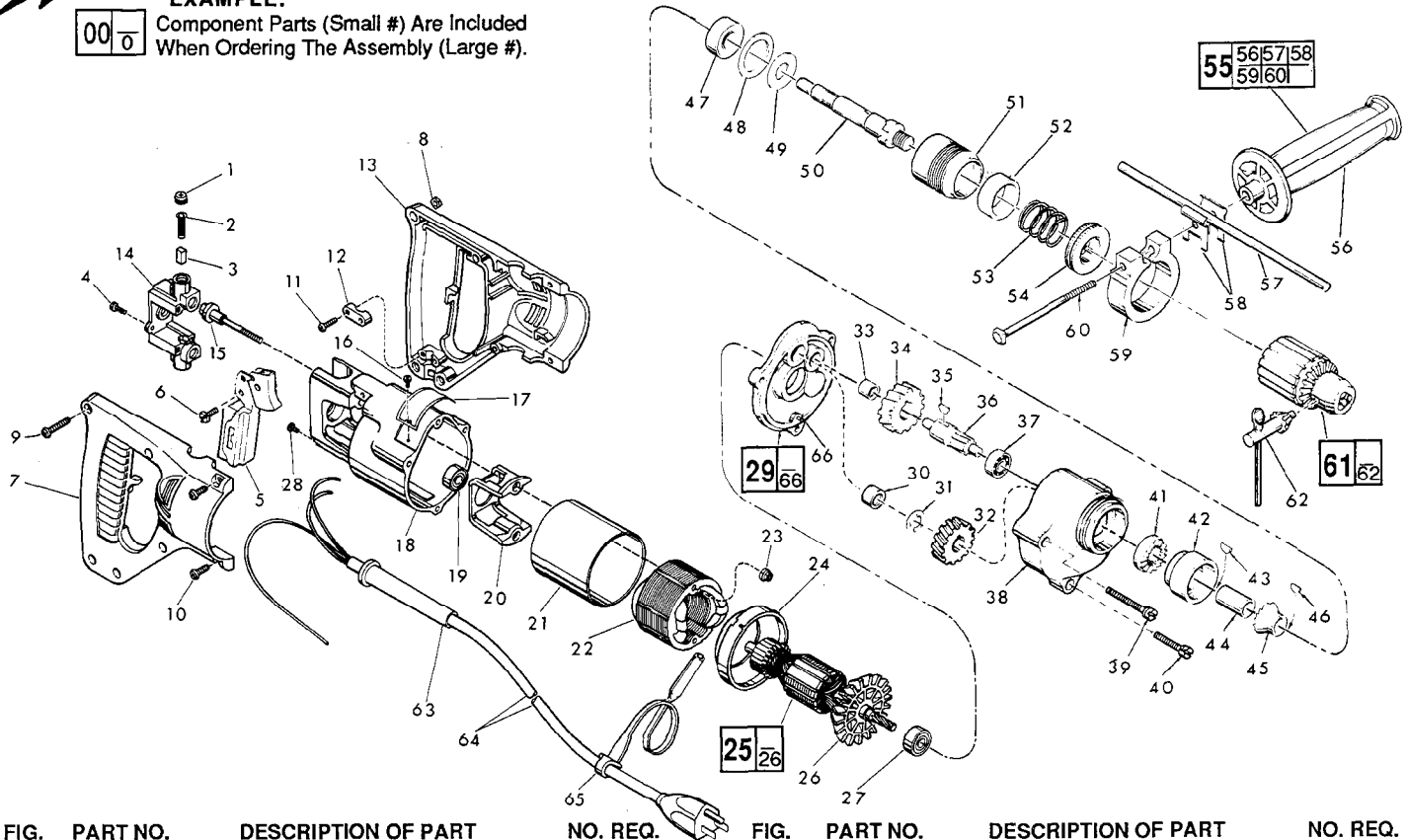


FIG.	PART NO.	DESCRIPTION OF PART	NO. REQ.	FIG.	PART NO.	DESCRIPTION OF PART	NO. REQ.
1	23-44-0190	Brush Retaining Screw	(2)	36	36-66-2701	Intermediate Shaft	(1)
2	23-52-0160	Brush Spring	(2)	37	02-04-0640	Ball Bearing	(1)
3	22-16-0275	Carbon Brush	(2)	★ 38	28-14-1915	Gear Case	(1)
4	06-95-0116	6-32 x 3/8" Phillips Pan Hd. Sem	(2)	★ 39	06-82-5502	8-32 x 2-1/4" Pan Hd. Slit. Taptite Torx	(2)
5	23-66-0505	Switch	(1)	★ 40	06-82-5404	8-32 x 1-3/8" Pan Hd. Slit. Taptite Torx	(1)
6	06-95-0215	8-18 x 1/2" Thread Form. Screw	(1)	41	44-84-0100	Fixed Ratchet	(1)
7	31-44-1380	R.H. Half D Handle	(1)	42	42-52-0250	Bearing Housing	(1)
8	06-55-0835	8-32 Hex Nut	(5)	43	06-42-1200	Woodruff Key	(1)
9	06-81-0473	8-32 x 1" Pan Hd. Screw	(5)	44	45-36-0890	Spacer	(1)
10	06-95-0700	8-32 x 1/2" Pan Hd. Screw	(4)	45	44-84-0110	Rotating Ratchet	(1)
11	06-95-0216	8-16 x 5/8" Plastite Screw	(2)	46	06-42-0800	Woodruff Key	(1)
12	31-17-0156	Cord Clamp	(1)	★ 47	02-04-1536	Ball Bearing	(1)
13	31-44-1375	L.H. Half D Handle	(1)	48	45-88-7350	Bearing Retaining Washer	(1)
14	22-22-1330	Brush Holder Assembly	(1)	★ 49	45-88-7365	Spring Support Washer	(1)
15	06-81-1058	Insulated Field Bolt	(2)	50	38-50-5150	Spindle	(1)
16	06-85-0200	6 x 1/4 Rd. Hd. Type Z Screw	(2)	51	45-22-0405	Sleeve	(1)
★ 17	12-99-0045	Nameplate	(1)	52	45-88-7375	Felt Washer	(1)
18	28-50-6201	Motor Housing	(1)	53	40-50-4950	Spring	(1)
19	02-04-0845	Ball Bearing	(1)	54	42-76-0200	Locking Collar	(1)
20	31-55-0030	Coil Shield	(1)	55	14-34-0250	Side Handle Assy.	(1)
21	23-16-0456	Field Insulator	(1)	56	43-62-0865	Side Handle	(1)
22	18-30-0100	120 V. Field	(1)	57	44-94-0161	Depth Gauge Rod	(1)
23	06-57-2975	8-32 Flexlock Hex Nut	(2)	58	42-68-0390	Clamp	(2)
24	31-05-0050	Baffle	(1)	59	28-82-0150	Handle Ring	(1)
25	16-30-0225	120 V. Armature	(1)	60	42-32-0160	Bolt	(1)
26	22-84-0530	Fan Assembly	(1)	61	48-66-1360	1/2" Chuck	(1)
27	02-04-0911	Ball Bearing	(1)	62	48-66-3280	Chuck Key	(1)
28	06-95-5150	Ground Screw	(1)	63	44-76-0150	Cord Protector	(1)
★ 29	28-28-0585	Diaphragm	(1)	★ 64	22-64-0155	Cord Set	(1)
30	02-50-2110	Needle Bearing	(1)	65	48-66-4040	Key Holder	(1)
31	34-60-1000	Retaining Ring	(1)	★	10-98-5986	Caution Label	(1)
32	32-75-2001	Spindle Gear	(1)	66	06-65-0825	Groove Pin	(1)
33	02-50-1640	Needle Bearing	(1)				
34	32-40-1241	Intermediate Gear	(1)				
35	06-42-0800	Woodruff Key	(1)				

MILWAUKEE ELECTRIC TOOL CORPORATION
13135 W. LISBON RD., BROOKFIELD, WI 53005