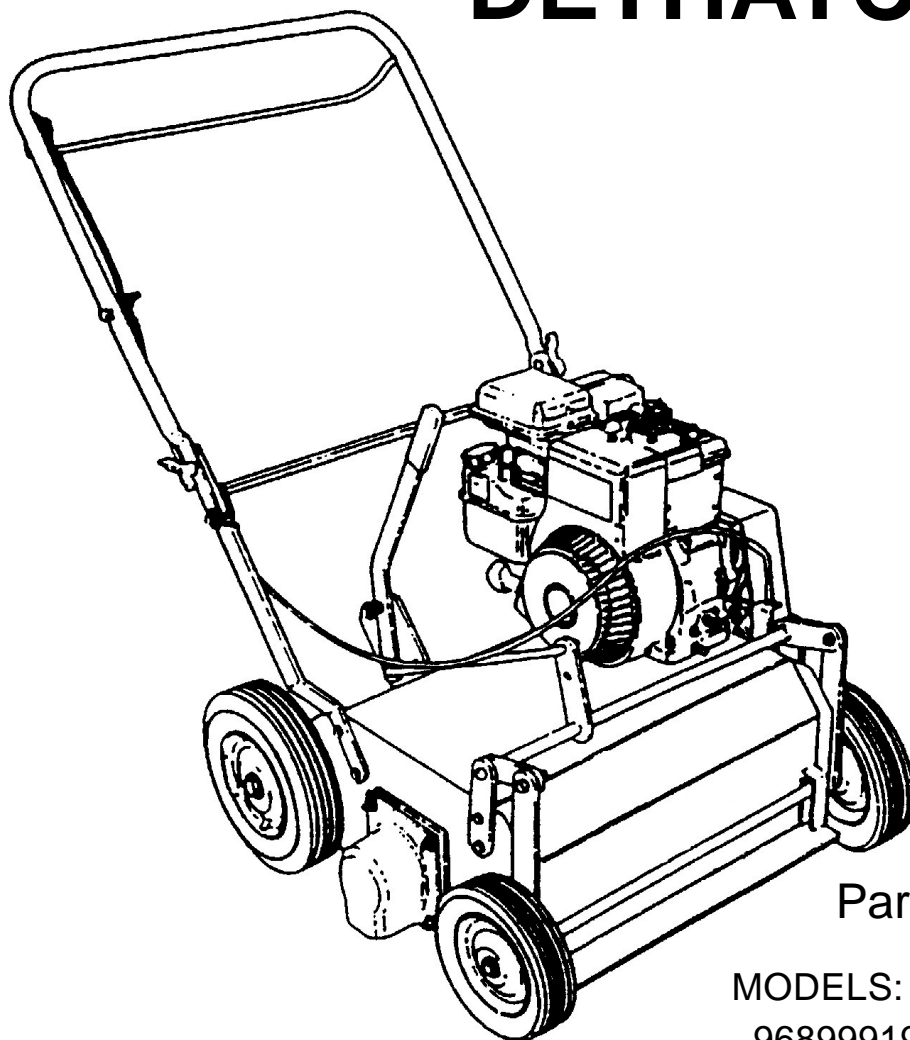


Husqvarna

DETHATCHER



Parts Manual

MODELS:

968999190 / DT20

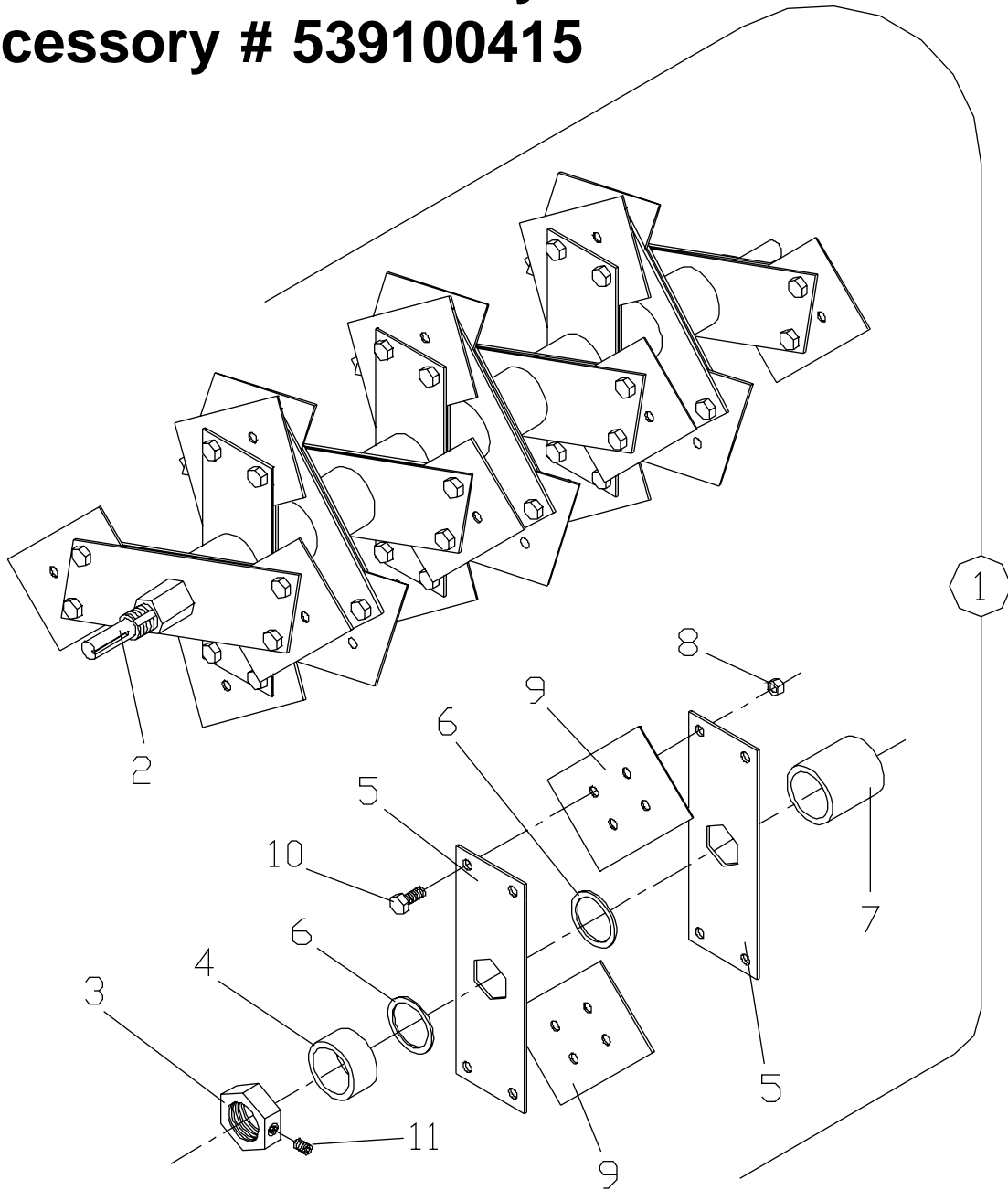
968999191 / DTB20A

968999192 / DTH20A

Husqvarna Turf Care policy is to improve its products whenever it is possible and practical to do so. In an effort to keep pace with changes in technology, Husqvarna reserves the right to make changes or improvements at any time without incurring any obligation to make such changes on products previously manufactured.

Slicer Shaft Assembly

Accessory # 539100415



ITEM	PART NO.	QTY.	DESCRIPTION
1	539100415	1	SLICER SHAFT, COMPLETE
2	539100529	1	SLICER SHAFT
3	539100530	2	JAM NUT W/SET SCREW
4	539100531	2	SLEEVE SPACER, SHORT
5	539100532	20	BLADE HOLDER PLATE
6	539100533	12	BLADE WASHER
7	539100534	9	SLEEVE SPACER, LONG
8	539976978	40	1/4-20 NYLOC NUT
9	539100536	20	SLICER BLADE
10	539990072	40	1/4-20 X 5/8 HCS
11	539976956	2	5/16-18 X 3/8 SET SCREW