



SERVICE PARTS LIST

HAMMER DRILL

Catalog No. **5390**

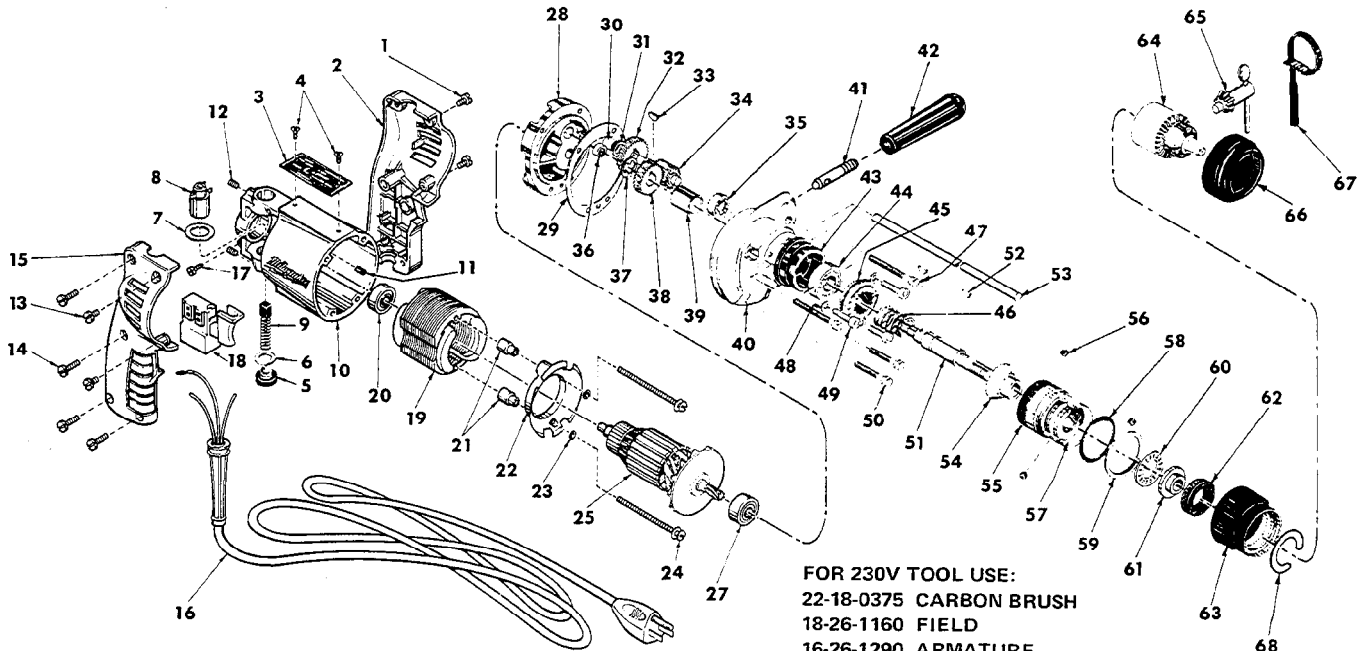
Starting Serial No. **422-29023**

Specify Catalog and Serial No. when ordering parts

BUL. 54-24-1505

REVISED BUL. 54-24-1504 DATE Mar. '74

WIRING INSTRUCTIONS 58-01-0646



FOR 230V TOOL USE:
 22-18-0375 CARBON BRUSH
 18-26-1160 FIELD
 16-26-1290 ARMATURE
 22-64-2665 CORD SET

FIG.	PART NO.	DESCRIPTION OF PART	NO. REQ.	FIG.	PART NO.	DESCRIPTION OF PART	NO. REQ.
	1	8-32x3/8 Pan Hd. Screw	(2)	35	02-04-0640	Ball Bearing	(1)
★	2	L. H. Handle Half	(1)	36	02-50-1610	Needle Bearing	(1)
	3	Nameplate	(1)	37	34-60-0800	Retaining Ring	(1)
	4	6x1/4 Rd. Hd. Type Z Screw	(2)	38	32-75-2711	Spindle Gear	(1)
	5	Brush Retaining Screw	(2)	39	45-36-0611	Spindle Spacer	(1)
	6	Washer	(2)	40	28-14-1322	Gear Case Assembly	(1)
	7	Washer	(2)	41	45-58-0220	Clamping Stud	(1)
	8	Brush Holder Assembly	(2)	42	43-62-0465	Handle	(1)
★	9	Carbon Brush Assembly	(2)	43	31-86-0111	Spacer	(1)
	10	Motor Housing (Includes Fig. 11)	(1)	44	02-08-0510	Ball Bearing	(1)
	11	Ball Brg. Retaining Slug	(1)	45	44-84-0071	Fixed Ratchet	(1)
	12	10-32x1/4 Hdis. Skt. Screw	(2)	46	40-50-7680	Ratchet Spring	(1)
	13	8-32x3/8 Pan Hd. Screw	(2)	47	06-81-6740	8-32x2 Fil. Hd. Sem	(2)
	14	8-32x3/4 Pan Hd. Screw	(4)	48	06-97-3200	Lock Washer	(3)
★	15	R. H. Handle Half	(1)	49	06-75-2060	8-32x5/8 Soc. Hd. Cap Screw	(3)
★	16	Cord Set	(1)	50	06-81-6500	8-32x1-3/8 Fil. Hd. Sem	(2)
	17	6-32x1/4 Ground Screw	(1)	51	38-50-5013	Spindle	(1)
★	18	Switch	(1)	52	06-42-0800	Woodruff Key	(2)
	19	115 V. Field	(1)	53	44-94-0161	Depth Rod	(1)
	20	Ball Bearing	(1)	54	44-84-0066	Rotating Ratchet	(1)
	21	Baffle Spacer	(2)	55	45-22-0281	Sleeve	(1)
	22	Baffle	(1)	56	02-02-0180	3/16 Inch Steel Ball	(3)
	23	Washer	(2)	57	45-36-0592	Shift Spacer	(1)
	24	6-32x2-7/16 Rd. Hd. Sem	(2)	58	34-40-1500	O-Ring	(1)
	25	115 V. Armature (Includes Fig. 26)	(1)	59	34-60-2125	Retaining Ring	(1)
	26	Fan Assembly	(1)	60	02-80-1200	Thrust Bearing	(1)
	27	Ball Bearing	(1)	61	45-36-0621	Thrust Spacer	(1)
	28	Diaphragm	(1)	62	45-06-0160	Felt Seal	(1)
	29	Gasket	(1)	63	42-76-0181	Shift Collar Assembly	(1)
	30	Needle Bearing	(1)	64	48-66-0810	3/8" Chuck-3/8-24 Thread (Includes Fig. 65)	(1)
	31	Thrust Washer	(1)	65	48-66-3240	Chuck Key	(1)
	32	Intermediate Gear	(1)	66	49-62-0090	Hammer Dust Shield	(1)
	33	Woodruff Key	(1)	67	48-66-4040	Key Holder	(1)
	34	Intermediate Pinion Shaft	(1)	68	44-86-0190	Retainer	(1)
				69	12-98-7081	Caution Plate (Not Shown)	(1)