



SERVICE PARTS LIST

BULLETIN NO.
54-24-1322

SPECIFY CATALOG NO. AND SERIAL NO. WHEN ORDERING PARTS		REVISED BULLETIN 54-24-1321	DATE Oct. '85
"D" HANDLE HAMMER DRILL D.I.			
CATALOG NO. 5388	STARTING SERIAL NO. 609-11300	WIRING INSTRUCTION 58-01-0182	
CAT. NO.	START SER. NO.	BILINGUAL LABEL	

FOR CAT. NO. 5388-2
(240V) TOOL USE:
16-36-0225 ARMATURE
18-36-0100 FIELD
22-64-2230 CORD SET

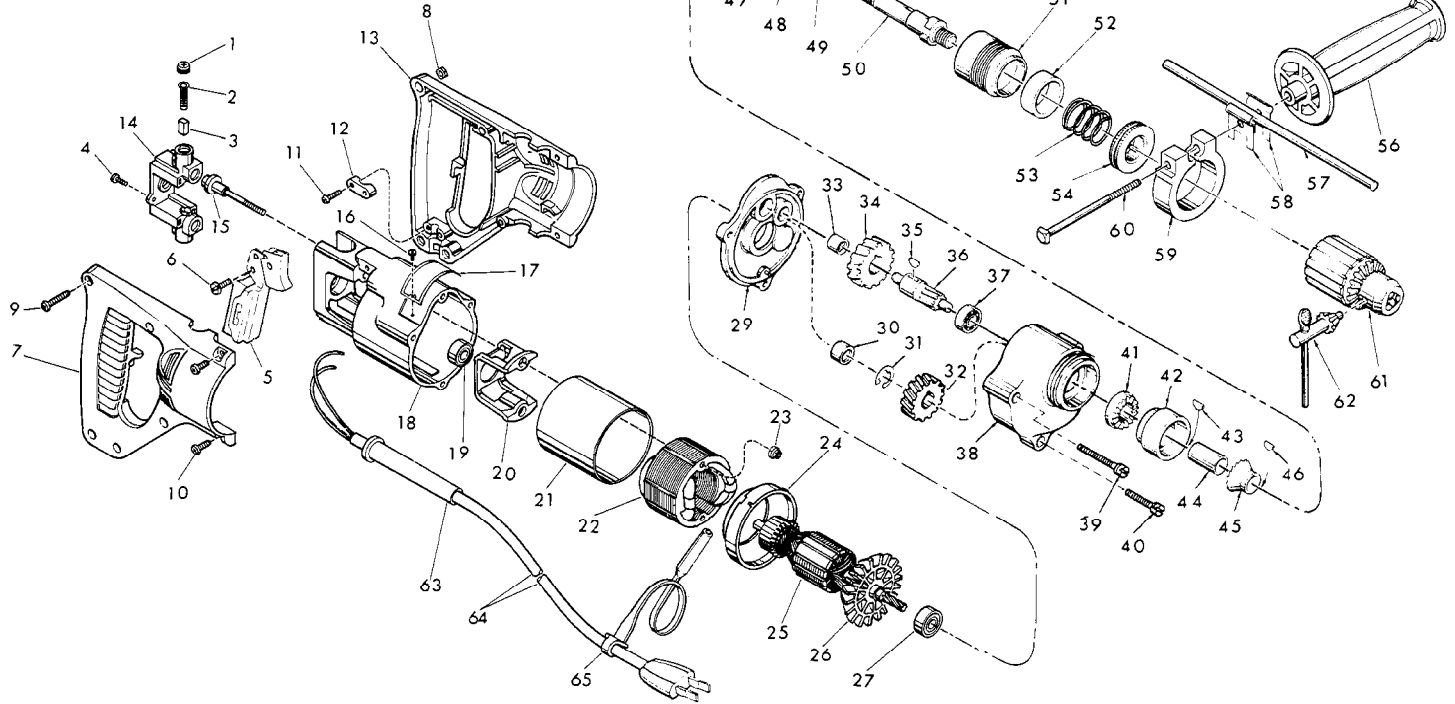


FIG.	PART NO.	DESCRIPTION OF PART	NO. REQ.	FIG.	PART NO.	DESCRIPTION OF PART	NO. REQ.
1	23-44-0190	Brush Retaining Screw	(2)	34	32-40-1241	Intermediate Gear	(1)
2	23-52-0160	Brush Spring	(2)	35	06-42-0800	Woodruff Key	(1)
3	22-16-0275	Carbon Brush	(2)	36	36-66-2701	Intermediate Shaft	(1)
4	06-95-0116	6-32 x 3/8 Phillips Pan Hd. Sem	(2)	37	02-04-0640	Ball Bearing	(1)
5	23-66-0505	Switch	(1)	38	28-14-0687	Gear Case	(1)
6	06-95-0215	8-18 x 1/2 Thread Form. Screw	(1)	★ 39	06-95-5270	8-32 x 1-7/8 Fil. Hd. Sem	(2)
7	31-44-1380	R.H. Half D Handle	(1)	★ 40	06-95-5250	8-32 x 1-1/8 Fil. Hd. Sem	(1)
8	06-55-0835	8-32 Hex Nut	(5)	41	44-84-0100	Fixed Ratchet	(1)
9	06-81-0473	8-32 x 1 Pan Hd. Screw	(5)	42	42-52-0250	Bearing Housing	(1)
10	06-95-0700	8-32 x 1/2 Pan Hd. Screw	(4)	43	06-42-1200	Woodruff Key	(1)
11	06-95-0216	8-16 x 5/8" Plastite Screw	(2)	44	45-36-0890	Spacer	(1)
12	31-17-0155	Cord Clamp	(1)	45	44-84-0110	Rotating Ratchet	(1)
13	31-44-1375	L.H. Half D Handle	(1)	46	06-42-0800	Woodruff Key	(1)
14	22-22-1330	Brush Holder Assembly	(1)	47	02-04-1560	Ball Bearing	(1)
15	06-81-1058	Insulated Field Bolt	(2)	48	45-88-7350	Bearing Retaining Washer	(1)
16	06-85-0200	6 x 1/4 Rd. Hd. Type Z Screw	(2)	49	45-88-7360	Spring Support Washer	(1)
17	12-99-0037	Nameplate	(1)	50	38-50-5150	Spindle	(1)
★ 18	28-50-6201	Motor Housing	(1)	51	45-22-0405	Sleeve	(1)
★ 19	02-04-0845	Ball Bearing	(1)	52	45-88-7375	Felt Washer	(1)
20	31-55-0030	Coil Shield	(1)	53	40-50-4950	Spring	(1)
21	23-16-0456	Field Insulator	(1)	54	42-76-0200	Locking Collar	(1)
22	18-30-0100	120 V. Field	(1)	55	14-34-0250	Side Handle Assy. (Incl. Fig. Nos. 56 thru 60)	(1)
23	06-57-2975	8-32 Flexlock Hex Nut	(2)	★ 56	43-62-0865	Side Handle	(1)
24	31-05-0050	Baffle	(1)	57	44-94-0161	Depth Gauge Rod	(1)
★ 25	16-30-0225	120 V. Armature (Incl. Fig. No. 26)	(1)	58	42-68-0390	Clamp	(2)
26	22-84-0530	Fan Assembly	(1)	59	28-82-0150	Handle Ring	(1)
★ 27	02-04-0911	Ball Bearing	(1)	60	42-32-0160	Bolt	(1)
★ 28	10-98-5986	Caution Label (Not Shown)	(1)	61	48-66-1360	1/2" Chuck (Incl. Fig. No. 62)	(1)
29	28-28-0582	Diaphragm (Incl. 06-65-0825 Groove Pin)	(1)	62	48-66-3280	Chuck Key	(1)
30	02-50-2110	Needle Bearing	(1)	63	44-76-0150	Cord Protector	(1)
31	34-60-1000	Retaining Ring	(1)	64	22-64-0408	Cord Set	(1)
32	32-75-2001	Spindle Gear	(1)	65	48-66-4040	Key Holder	(1)
33	02-50-1640	Needle Bearing	(1)				