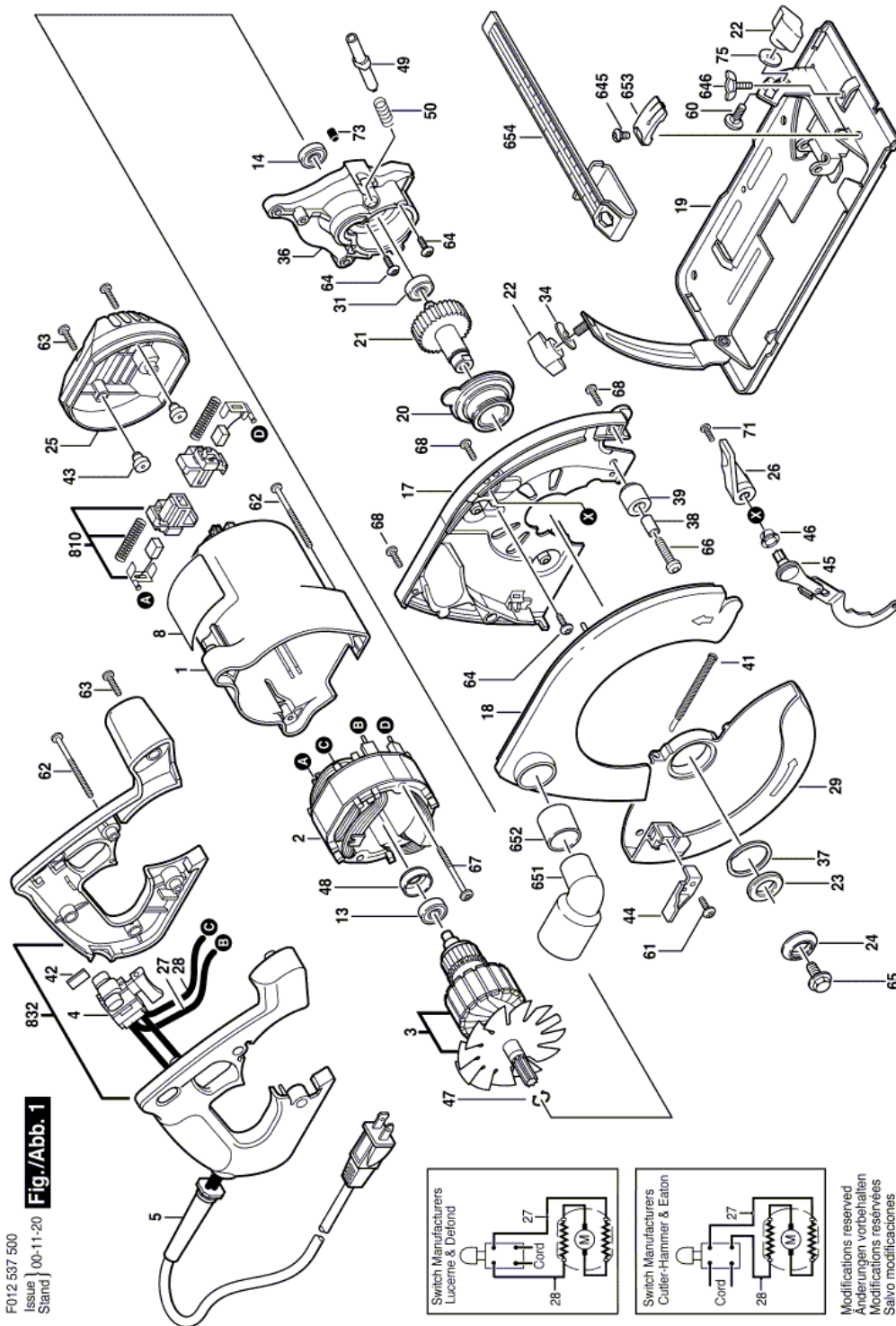


| Item | Part Number | Description | Illustration | Price | Quantity |
|------|---------------|-----------------------------|--------------|-------|----------|
| 1 | 2 610 968 308 | Motor Housing | | 1,- | 1 |
| 2 | 2 610 341 381 | Field 120V | | 1,- | 1 |
| 3 | 2 610 968 413 | Armature 120V | | 1,- | 1 |
| 4 | 2 610 347 481 | On-Off Switch | | 1,- | 1 |
| 5 | 2 610 357 066 | Power supply cord | | 1,- | 1 |
| 8 | 2 610 968 441 | Nameplate | | 1,- | 1 |
| 13 | 2 610 017 348 | Deep-Groove Ball Bearing | | 1,- | 1 |
| 14 | 2 610 350 311 | Deep-Groove Ball Bearing | | 1,- | 1 |
| 17 | 2 610 968 654 | Front Housing | | 1,- | 1 |
| 18 | 2 610 999 055 | Front Housing | | 1,- | 1 |
| 19 | 2 610 993 166 | Base Plate | | 1,- | 1 |
| 20 | 2 610 968 650 | Bearing Flange | | 1,- | 1 |
| 21 | 2 610 968 411 | Spindle With Gear | | 1,- | 1 |
| 22 | 2 610 917 567 | Knob | | 1,- | 2 |
| 23 | 2 610 968 319 | Plain Washer | | 1,- | 1 |
| 24 | 2 610 968 320 | Special Washer | | 1,- | 1 |
| 25 | 2 610 968 309 | Sealing cap | | 1,- | 1 |
| 26 | 2 610 968 318 | Adjusting lever RED | | 1,- | 1 |
| 27 | 2 610 990 839 | Connecting Cable L = 375 MM | | 1,- | 1 |
| 28 | 2 610 990 840 | Connecting Cable L = 250 MM | | 1,- | 1 |
| 29 | 2 610 968 543 | Pivoting Blade Guard | | 1,- | 1 |
| 31 | 1 619 P01 511 | Ball Bearing | | 1,- | 1 |
| 34 | 2 610 993 171 | Pointer | | 1,- | 1 |
| 36 | 2 610 992 565 | Gear Housing | | 1,- | 1 |
| 37 | 2 610 341 359 | Spring retaining ring | | 1,- | 1 |
| 38 | 2 610 341 366 | Spacer | | 1,- | 1 |
| 39 | 2 610 341 394 | End stop | | 1,- | 1 |
| 41 | 2 610 968 416 | Extension Spring | | 1,- | 1 |
| 42 | 2 610 347 892 | Spacer | | 1,- | 1 |
| 43 | 2 610 350 655 | Rubber Buffer | | 1,- | 2 |
| 44 | 2 610 968 854 | Lever | | 1,- | 1 |
| 45 | 2 610 968 418 | Swivel Arm | | 1,- | 1 |
| 46 | 2 610 968 421 | Bushing | | 1,- | 1 |

| Item | Part Number | Description | Illustration | Price | Quantity | |
|------|---------------|------------------|--------------|-------|----------|---|
| 47 | 2 610 025 684 | Retaining ring | | 1 | -,- | 1 |
| 48 | 2 610 990 845 | Plain Washer | | 1 | -,- | 1 |
| 49 | 2 610 990 151 | Plug | | 1 | -,- | 1 |
| 50 | 2 610 350 667 | Spring | | 1 | -,- | 1 |
| 60 | 2 610 017 262 | Round-Head Bolt | | 1 | -,- | 1 |
| 61 | 2 610 328 924 | Screw | | 1 | -,- | 1 |
| 62 | 2 610 968 438 | Screw | | 1 | -,- | 3 |
| 63 | 1 619 P01 505 | Screw | | 1 | -,- | 6 |
| 64 | 2 610 990 818 | Hex Screw | | 1 | -,- | 6 |
| 65 | 1 619 X00 935 | Hex Screw | | 1 | -,- | 1 |
| 66 | 2 610 347 100 | Screw | | 1 | -,- | 1 |
| 67 | 2 610 931 997 | Screw | | 1 | -,- | 2 |
| 68 | 2 610 992 551 | Tapping Screw | | 1 | -,- | 4 |
| 71 | 2 610 354 611 | Screw RED | | 1 | -,- | 1 |
| 73 | 2 610 028 780 | Plug | | 1 | -,- | 1 |
| 75 | 1 619 P01 535 | Washer | | 1 | -,- | 2 |
| 653 | 2 610 909 144 | Indicator | | 1 | -,- | 1 |
| 645 | 2 610 347 488 | Screw | | 1 | -,- | 1 |
| 646 | 2 610 018 222 | Screw | | 1 | -,- | 1 |
| 651 | 2 610 968 430 | Elbow | | 1 | -,- | 1 |
| 652 | 2 610 993 155 | Indicator | | 1 | -,- | 1 |
| 654 | 2 610 968 313 | Adjusting Wrench | | 1 | -,- | 1 |
| 810 | 2 610 994 000 | Brush Holder | | 1 | -,- | 1 |
| 832 | 2 610 993 238 | Handle | | 1 | -,- | 1 |



F012 537 500
 Issue 00-11-20
 Stand **Fig./Abb. 1**