



# SERVICE PARTS LIST

BULLETIN NO.  
54-24-0178

SPECIFY CATALOG NO. AND SERIAL NO. WHEN ORDERING PARTS		REVISED BULLETIN	DATE
1/2" REV. MAGNUM HAMMER-DRILL		54-24-0177	Nov. '98
CATALOG NO. 5374-1	STARTING SERIAL NO. 715B	WIRING INSTRUCTION 58-01-1650	

EXAMPLE:  
Component Parts  
(Small #) Are Included  
When Ordering The  
Assembly (Large #).

00 0

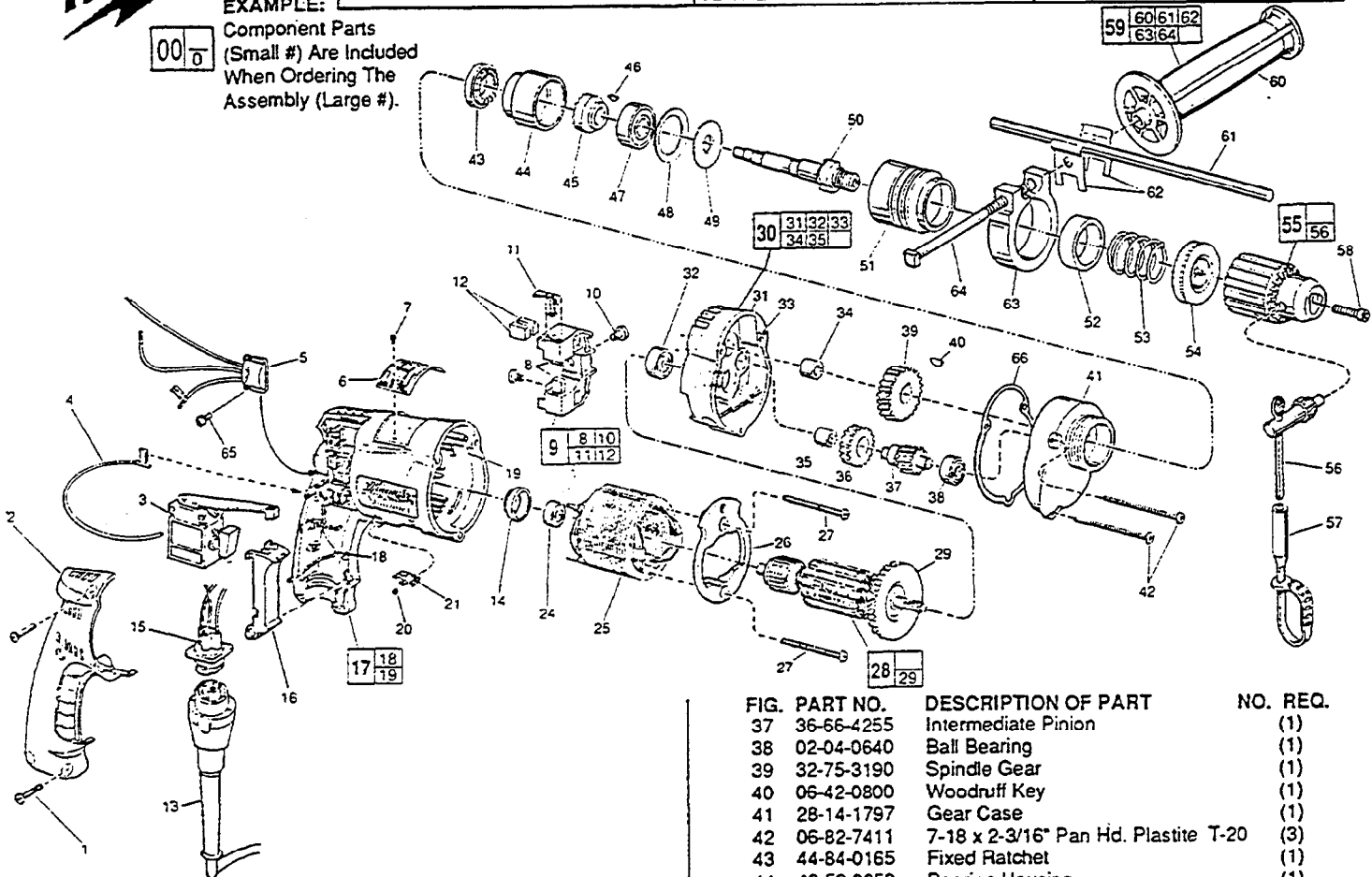


FIG.	PART NO.	DESCRIPTION OF PART	NO. REQ.
	1	06-82-7266 7-18 x 11/16" Plastite Screw T-20	(5)
	2	31-15-0402 Handle Cover	(1)
★	3	23-66-1666 Trigger Speed Control Reversing Switch	(1)
★	4	23-94-6247 2-1/4" Lead Assembly	(1)
★	5	14-20-0795 Remote Electronic Assembly	(1)
	6	12-99-0225 Nameplate Blank	(1)
	7	06-72-1720 Nameplate Rivet	(2)
	8	22-16-0300 Carbon Brush	(2)
	9	22-22-0356 Brush Holder Assembly	(1)
	10	31-75-0040 Brush Holder Screw	(2)
	11	22-20-0355 Brush Spring Assembly	(2)
	12	22-16-0300 Carbon Brush (Spares)	(2)
	13	48-76-4008 8 Foot Quik-Lok Cord Set	(1)
	14	22-72-0100 Bearing Cup	(1)
★	15	22-56-0807 Pin Housing Assembly	(1)
★	16	45-72-0031 Trigger	(1)
	17	14-38-0540 Motor Housing Assembly	(1)
	18	23-94-9960 Ground Wire Assembly	(1)
	19	44-60-1290 Grounding Pin	(1)
	20	40-50-0035 Lock Button Spring	(1)
	21	42-42-0460 Lock Button	(1)
	24	02-04-0645 Ball Bearing	(1)
	25	18-11-0075 120 Volt Field	(1)
	26	42-14-0390 Baffle	(1)
	27	06-82-7398 7-18 x 2-1/16" Pan Hd. Screw T-20	(2)
	28	16-10-0800 120 Volt Armature	(1)
	29	22-84-0880 Fan Assembly	(1)
	30	14-13-0497 Diaphragm Assembly	(1)
	31	Diaphragm	(1)
	32	02-04-0847 Ball Bearing	(1)
	33	06-65-0880 Ground Pin	(1)
	34	02-50-2020 Needle Bearing	(1)
	35	02-50-1620 Needle Bearing	(1)
	36	32-40-1820 Intermediate Gear	(1)

FIG.	PART NO.	DESCRIPTION OF PART	NO. REQ.
	37	36-66-4255 Intermediate Pinion	(1)
	38	02-04-0640 Ball Bearing	(1)
	39	32-75-3190 Spindle Gear	(1)
	40	06-42-0800 Woodruff Key	(1)
	41	28-14-1797 Gear Case	(1)
	42	06-82-7411 7-18 x 2-3/16" Pan Hd. Plastite T-20	(3)
	43	44-84-0165 Fixed Ratchet	(1)
	44	42-52-0250 Bearing Housing	(1)
	45	44-84-0160 Rotating Ratchet	(1)
	46	06-42-1200 Woodruff Key	(1)
	47	02-04-1536 Ball Bearing	(1)
	48	45-88-7350 Bearing Retainer Washer	(1)
	49	45-88-7365 Spring Support Washer	(1)
	50	38-50-5575 Spindle	(1)
	51	45-22-0405 Sleeve (Left Hand Thread)	(1)
	52	45-88-7375 Felt Washer	(1)
	53	40-50-4950 Spring	(1)
	54	42-76-0200 Locking Collar	(1)
	55	48-66-1365 1/2" Reversing Chuck	(1)
	56	48-66-3280 Chuck Key	(1)
	57	48-66-4040 Key Holder	(1)
	58	06-75-3155 1/4-20 x 1" Socket Hd. Screw L.H. Thread	(1)
	59	14-34-0250 Side Handle Assembly	(1)
	60	43-62-0865 Side Handle	(1)
	61	44-94-0161 Depth Rod	(1)
	62	42-68-0390 Depth Gauge Clamp	(2)
	63	25-82-0140 Clamping Collar	(1)
	64	42-32-0161 5/16-18 x 3-1/2" Square Hd. Bolt	(1)
	65	06-82-7212 4-20 x 1/4" Pan Hd. Plastite T-10	(1)
	66	43-44-0913 Gasket	(1)
★	23-94-6232	4" Lead Assembly	(1)
★	23-94-6237	4-1/8" Lead Assembly	(1)
★	23-94-6242	3-3/8" Lead Assembly	(1)
	10-98-5986	Warning Label	(1)

FIG. LUBRICATION  
41 1-1/2 Oz. Type "E" Grease, No. 49-08-4122.  
43.45 Apply Thin Coat "U" Grease, No. 49-08-0150,  
To Ratchet Teeth.

MILWAUKEE ELECTRIC TOOL CORPORATION  
13135 W. LISBON RD., BROOKFIELD, WI 53005