



SERVICE PARTS LIST

BULLETIN NO.
54-24-1340

SPECIFY CATALOG NO. AND SERIAL NO. WHEN ORDERING PARTS		REVISED BULLETIN	DATE
3/4" ROTARY HAMMER			Oct. '92
CATALOG NO.	5368-1	WIRING INSTRUCTION	
SERIAL NUMBER	793A	58-01-1310	

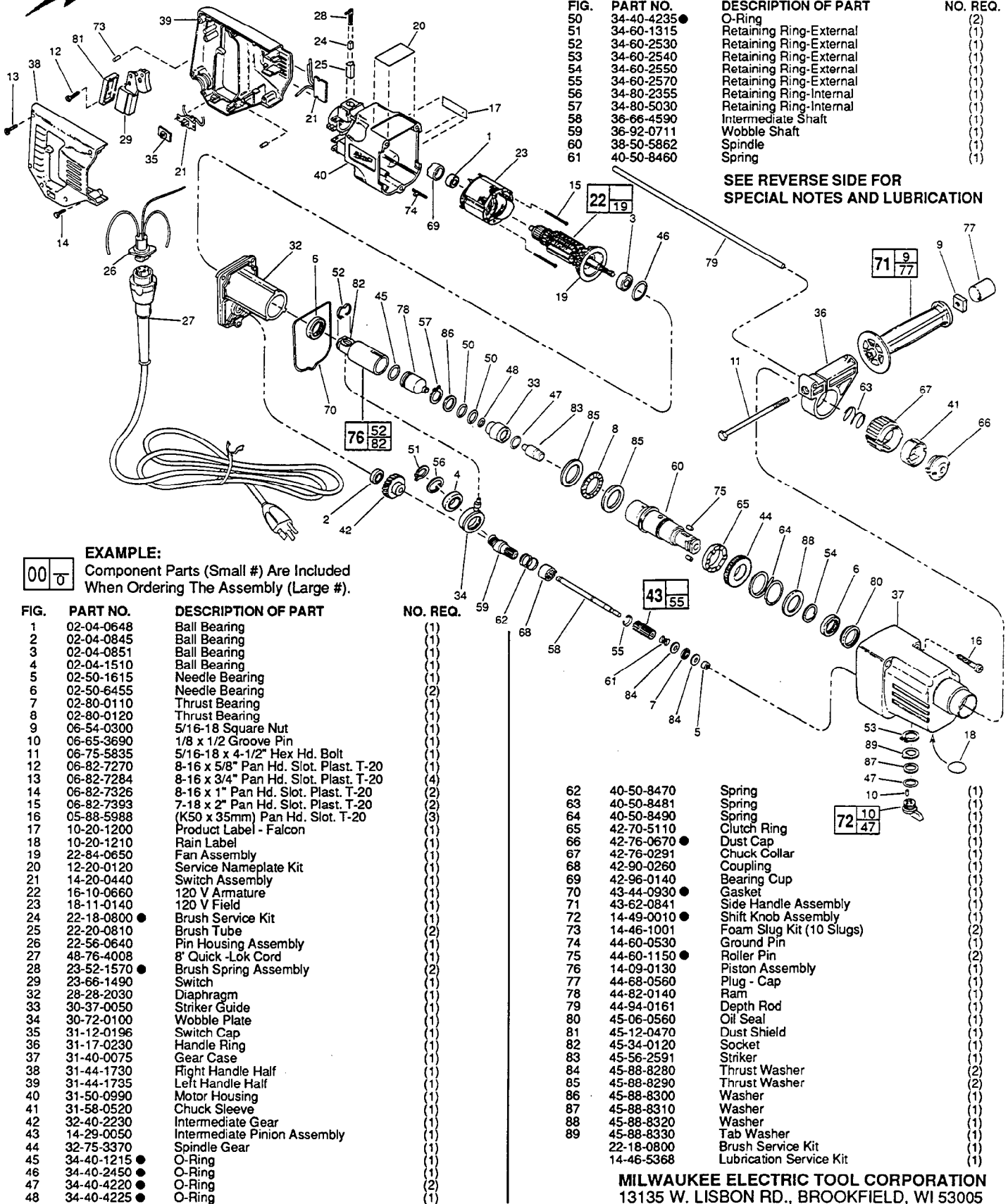


FIG.	PART NO.	DESCRIPTION OF PART	NO. REQ.
50	34-40-4235 ●	O-Ring	(2)
51	34-60-1315	Retaining Ring-External	(1)
52	34-60-2530	Retaining Ring-External	(1)
53	34-60-2540	Retaining Ring-External	(1)
54	34-60-2550	Retaining Ring-External	(1)
55	34-60-2570	Retaining Ring-External	(1)
56	34-80-2355	Retaining Ring-Internal	(1)
57	34-80-5030	Retaining Ring-Internal	(1)
58	36-66-4590	Intermediate Shaft	(1)
59	36-92-0711	Wobble Shaft	(1)
60	38-50-5862	Spindle	(1)
61	40-50-8460	Spring	(1)

SEE REVERSE SIDE FOR
SPECIAL NOTES AND LUBRICATION

EXAMPLE:

00	σ
----	---

 Component Parts (Small #) Are Included
When Ordering The Assembly (Large #).

FIG.	PART NO.	DESCRIPTION OF PART	NO. REQ.
1	02-04-0648	Ball Bearing	(1)
2	02-04-0845	Ball Bearing	(1)
3	02-04-0851	Ball Bearing	(1)
4	02-04-1510	Ball Bearing	(1)
5	02-50-1615	Needle Bearing	(1)
6	02-50-6455	Needle Bearing	(2)
7	02-80-0110	Thrust Bearing	(1)
8	02-80-0120	Thrust Bearing	(1)
9	06-54-0300	5/16-18 Square Nut	(1)
10	06-65-3690	1/8 x 1/2 Groove Pin	(1)
11	06-75-5835	5/16-18 x 4-1/2" Hex Hd. Bolt	(1)
12	06-82-7270	8-16 x 5/8" Pan Hd. Slot. Plast. T-20	(1)
13	06-82-7284	8-16 x 3/4" Pan Hd. Slot. Plast. T-20	(4)
14	06-82-7326	8-16 x 1" Pan Hd. Slot. Plast. T-20	(2)
15	06-82-7393	7-18 x 2" Pan Hd. Slot. Plast. T-20	(2)
16	05-88-5988	(K50 x 35mm) Pan Hd. Slot. T-20	(3)
17	10-20-1200	Product Label - Falcon	(1)
18	10-20-1210	Rain Label	(1)
19	22-84-0650	Fan Assembly	(1)
20	12-20-0120	Service Nameplate Kit	(1)
21	14-20-0440	Switch Assembly	(1)
22	16-10-0660	120 V Armature	(1)
23	18-11-0140	120 V Field	(1)
24	22-18-0800 ●	Brush Service Kit	(1)
25	22-20-0810	Brush Tube	(2)
26	22-56-0640	Pin Housing Assembly	(1)
27	48-76-4008	8' Quick-Lok Cord	(1)
28	23-52-1570 ●	Brush Spring Assembly	(2)
29	23-66-1490	Switch	(1)
32	28-28-2030	Diaphragm	(1)
33	30-37-0050	Striker Guide	(1)
34	30-72-0100	Wobble Plate	(1)
35	31-12-0196	Switch Cap	(1)
36	31-17-0230	Handle Ring	(1)
37	31-40-0075	Gear Case	(1)
38	31-44-1730	Right Handle Half	(1)
39	31-44-1735	Left Handle Half	(1)
40	31-50-0990	Motor Housing	(1)
41	31-58-0520	Chuck Sleeve	(1)
42	32-40-2230	Intermediate Gear	(1)
43	14-29-0050	Intermediate Pinion Assembly	(1)
44	32-75-3370	Spindle Gear	(1)
45	34-40-1215 ●	O-Ring	(1)
46	34-40-2450 ●	O-Ring	(1)
47	34-40-4220 ●	O-Ring	(2)
48	34-40-4225 ●	O-Ring	(1)

FIG.	PART NO.	DESCRIPTION OF PART	NO. REQ.
52	76	52	82
55	43	55	
62	40-50-8470	Spring	(1)
63	40-50-8481	Spring	(1)
64	40-50-8490	Spring	(1)
65	42-70-5110	Clutch Ring	(1)
66	42-76-0670 ●	Dust Cap	(1)
67	42-76-0291	Chuck Collar	(1)
68	42-90-0260	Coupling	(1)
69	42-96-0140	Bearing Cup	(1)
70	43-44-0930 ●	Gasket	(1)
71	43-62-0841	Side Handle Assembly	(1)
72	14-49-0010 ●	Shift Knob Assembly	(1)
73	14-46-1001	Foam Slug Kit (10 Slugs)	(2)
74	44-60-0530	Ground Pin	(1)
75	44-60-1150 ●	Roller Pin	(2)
76	14-09-0130	Piston Assembly	(1)
77	44-68-0560	Plug - Cap	(1)
78	44-82-0140	Ram	(1)
79	44-94-0161	Depth Rod	(1)
80	45-06-0560	Oil Seal	(1)
81	45-12-0470	Dust Shield	(1)
82	45-34-0120	Socket	(1)
83	45-56-2591	Striker	(1)
84	45-88-8280	Thrust Washer	(2)
85	45-88-8290	Thrust Washer	(2)
86	45-88-8300	Washer	(1)
87	45-88-8310	Washer	(1)
88	45-88-8320	Washer	(1)
89	45-88-8330	Tab Washer	(1)
	22-18-0800	Brush Service Kit	(1)
	14-46-5368	Lubrication Service Kit	(1)

MILWAUKEE ELECTRIC TOOL CORPORATION
13135 W. LISBON RD., BROOKFIELD, WI 53005

LUBRICATION INSTRUCTIONS

Type "K" Grease, No. 49-08-4161

Apply a thin film of grease to the following parts as indicated:

- FIG. INSTRUCTION**
- 60 Large I.D. of spindle, forward and rear bearing journals.
 - 33 Large I.D. of striker guide.
 - 83 Striker-all over.
 - 76,82 Inside and outside diameters of piston assembly, including I.D. of socket.
 - 78 All over ram, except rear face.
 - 44 Clutch face of spindle gear.
 - 65 Clutch face of clutch ring.
 - 59 Outside bearing journal of wobble shaft.
 - 34 Bearing bore and ball diameter of wobble plate.
 - 32 Armature and intermediate bearing bores of diaphragm.
 - 9 Square nut threads.
 - 45,46,50 O-rings.

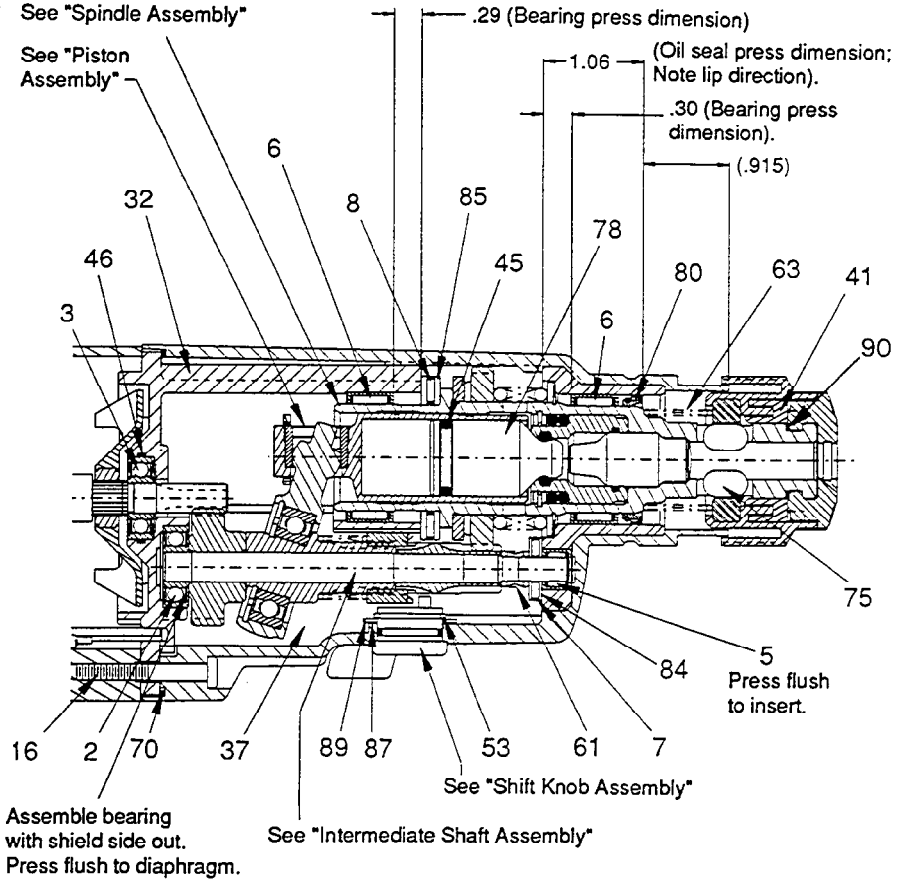
Apply a thin to moderately heavy coat of grease to the following parts indicated:

- FIG. INSTRUCTION**
- 58 Apply over the length shown in the "Intermediate Shaft Assembly".
 - 75 Roller Pins (This also to aid in assembly).
 - 47,48 O-rings.
 - 42,43,44 All gear and pinion teeth.

CAUTION: THERE IS TO BE NO GREASE IN THE CHAMBER BETWEEN THE PISTON AND RAM BEYOND THE THIN COATINGS APPLIED TO THE TWO PARTS AS DESCRIBED ABOVE.

See "Spindle Assembly"

See "Piston Assembly"

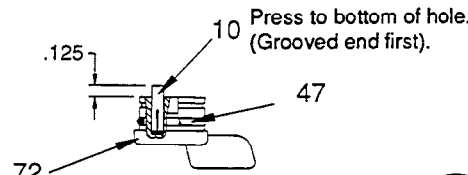


Assemble bearing with shield side out. Press flush to diaphragm.

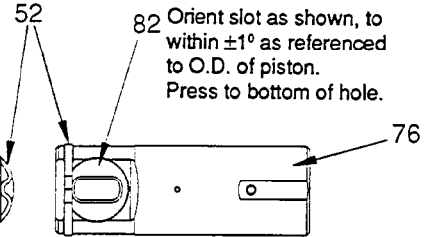
See "Intermediate Shaft Assembly"

See "Shift Knob Assembly"

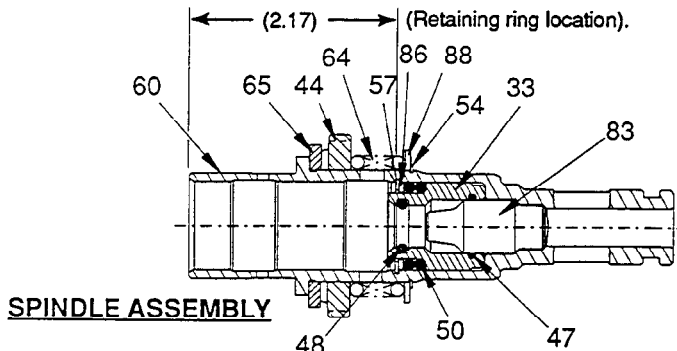
5 Press flush to insert.



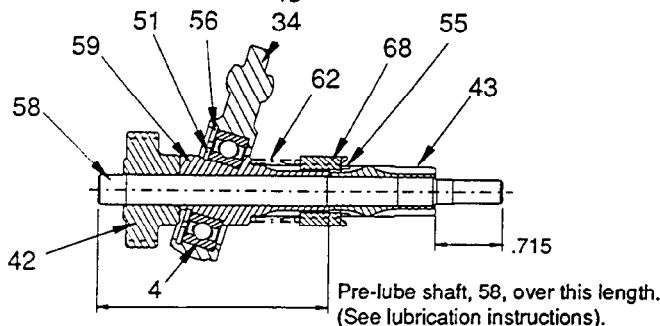
SHIFT KNOB ASSEMBLY



PISTON ASSEMBLY



SPINDLE ASSEMBLY



INTERMEDIATE SHAFT ASSEMBLY

NOTE: The intermediate pinion #43, wobble shaft #59 and intermediate gear #42 are to be pressed flush to each other, so that the wobble shaft is still able to revolve freely - with .005" max. axial play - on the intermediate shaft #58.

14-46-5368 LUBRICATION SERVICE KIT

THIS KIT INCLUDES:

- 1 34-40-1215 O-Ring
- 1 34-40-4220 O-Ring
- 1 34-40-4225 O-Ring
- 2 34-40-4235 O-Ring
- 1 34-40-2450 O-Ring
- 1 34-80-5030 Retaining Ring
- 1 42-76-0670 Dust Cap
- 1 43-44-0930 Gasket
- 2 44-60-1150 Roller Pin
- 1 49-08-4161 5 Oz. "K" Grease

22-18-0800 BRUSH SERVICE KIT

THIS KIT INCLUDES:

- 2 - - Carbon Brush
- 2 23-52-1570 Brush Spring Assy.
- 2 44-52-0495 Foam Slug

Lubrication Note: MILWAUKEE recommends that scheduled maintenance of the Falcon Rotary Hammer include lubrication replacement, and replacement of vital O-rings and gaskets at each carbon brush change. Doing so will prolong the life of the hammer by reducing wear to gears and mechanism parts. The carbon brushes and armature commutator in the MILWAUKEE Falcon Rotary Hammer are designed and matched for many hours of reliable performance. The carbon brushes feature a unique pop-out feature which automatically shuts off the tool when the brushes are worn and need to be replaced.