



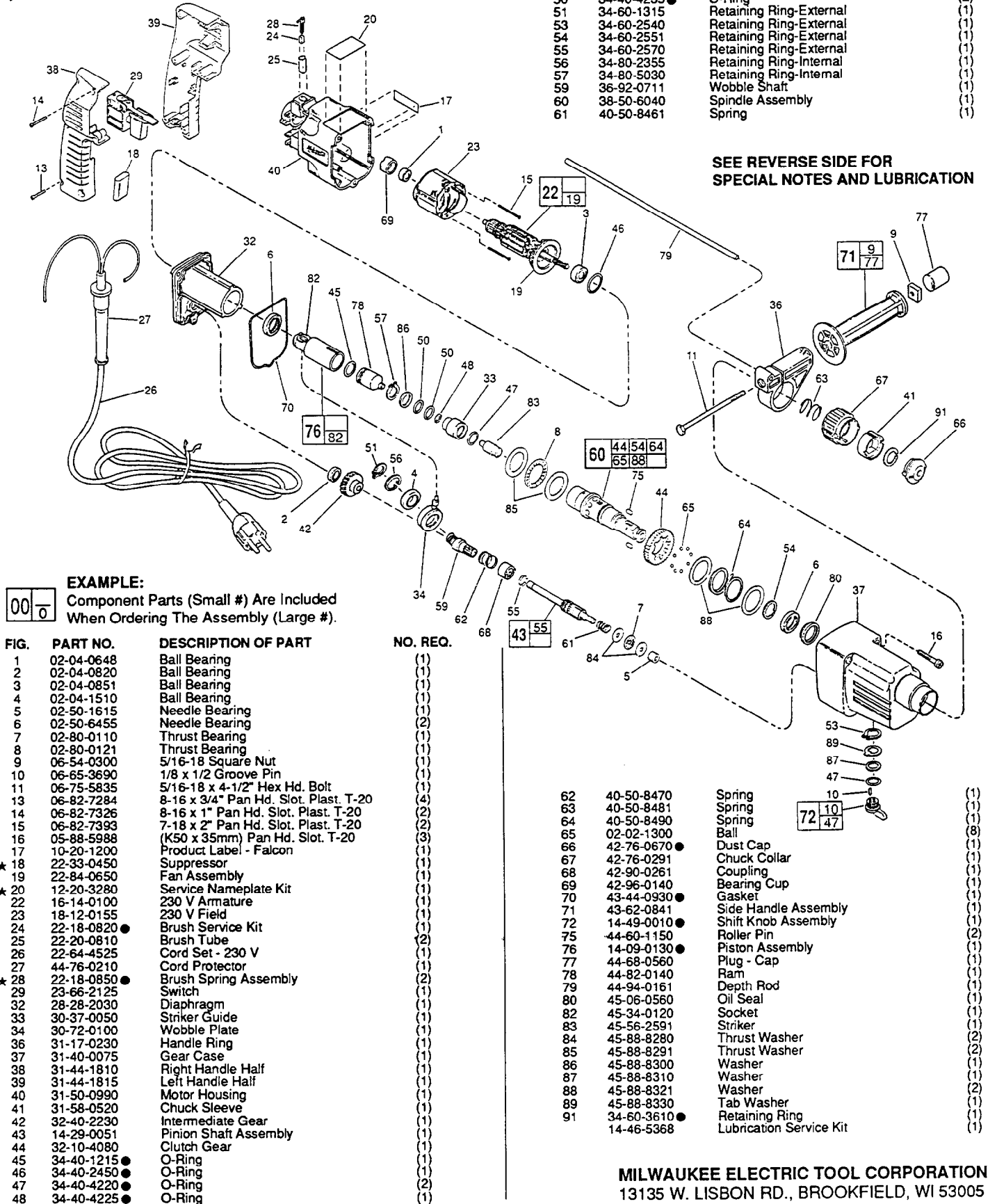
SERVICE PARTS LIST

BULLETIN NO.
55-24-1366

SPECIFY CATALOG NO. AND SERIAL NO. WHEN ORDERING PARTS		REVISED BULLETIN 55-24-1365	DATE Mar. '95
3/4" ROTARY HAMMER			
CATALOG NO. 5366-4	SERIAL NUMBER 794B	WIRING INSTRUCTION 58-03-1560	

FIG.	PART NO.	DESCRIPTION OF PART	NO. REQ.
50	34-40-4235	O-Ring	(2)
51	34-60-1315	Retaining Ring-External	(1)
53	34-60-2540	Retaining Ring-External	(1)
54	34-60-2551	Retaining Ring-External	(1)
55	34-60-2570	Retaining Ring-External	(1)
56	34-80-2355	Retaining Ring-Internal	(1)
57	34-80-5030	Retaining Ring-Internal	(1)
59	36-92-0711	Wobble Shaft	(1)
60	38-50-6040	Spindle Assembly	(1)
61	40-50-8461	Spring	(1)

**SEE REVERSE SIDE FOR
SPECIAL NOTES AND LUBRICATION**



EXAMPLE:

00	0
----	---

 Component Parts (Small #) Are Included
When Ordering The Assembly (Large #).

FIG.	PART NO.	DESCRIPTION OF PART	NO. REQ.
1	02-04-0648	Ball Bearing	(1)
2	02-04-0820	Ball Bearing	(1)
3	02-04-0851	Ball Bearing	(1)
4	02-04-1510	Ball Bearing	(1)
5	02-50-1615	Needle Bearing	(1)
6	02-50-6455	Needle Bearing	(2)
7	02-80-0110	Thrust Bearing	(1)
8	02-80-0121	Thrust Bearing	(1)
9	06-54-0300	5/16-18 Square Nut	(1)
10	06-65-3690	1/8 x 1/2 Groove Pin	(1)
11	06-75-5835	5/16-18 x 4-1/2" Hex Hd. Bolt	(1)
13	06-82-7284	8-16 x 3/4" Pan Hd. Slot. Plast. T-20	(4)
14	06-82-7326	8-16 x 1" Pan Hd. Slot. Plast. T-20	(2)
15	06-82-7393	7-18 x 2" Pan Hd. Slot. Plast. T-20	(2)
16	05-88-5988	(K50 x 35mm) Pan Hd. Slot. T-20	(3)
17	10-20-1200	Product Label - Falcon	(1)
★ 18	22-33-0450	Suppressor	(1)
19	22-84-0650	Fan Assembly	(1)
★ 20	12-20-3280	Service Nameplate Kit	(1)
22	16-14-0100	230 V Armature	(1)
23	18-12-0155	230 V Field	(1)
24	22-18-0820	Brush Service Kit	(1)
25	22-20-0810	Brush Tube	(1)
26	22-64-4525	Cord Set - 230 V	(1)
27	44-76-0210	Cord Protector	(1)
★ 28	22-18-0850	Brush Spring Assembly	(2)
29	23-66-2125	Switch	(1)
32	28-28-2030	Diaphragm	(1)
33	30-37-0050	Striker Guide	(1)
34	30-72-0100	Wobble Plate	(1)
36	31-17-0230	Handle Ring	(1)
37	31-40-0075	Gear Case	(1)
38	31-44-1810	Right Handle Half	(1)
39	31-44-1815	Left Handle Half	(1)
40	31-50-0990	Motor Housing	(1)
41	31-58-0520	Chuck Sleeve	(1)
42	32-40-2230	Intermediate Gear	(1)
43	14-29-0051	Pinion Shaft Assembly	(1)
44	32-10-4080	Clutch Gear	(1)
45	34-40-1215	O-Ring	(1)
46	34-40-2450	O-Ring	(1)
47	34-40-4220	O-Ring	(1)
48	34-40-4225	O-Ring	(1)

62	40-50-8470	Spring	(1)
63	40-50-8481	Spring	(1)
64	40-50-8490	Spring	(1)
65	02-02-1300	Ball	(8)
66	42-76-0670	Dust Cap	(1)
67	42-76-0291	Chuck Collar	(1)
68	42-90-0261	Coupling	(1)
69	42-96-0140	Bearing Cup	(1)
70	43-44-0930	Gasket	(1)
71	43-62-0841	Side Handle Assembly	(1)
72	14-49-0010	Shift Knob Assembly	(1)
75	44-60-1150	Roller Pin	(2)
76	14-09-0130	Piston Assembly	(1)
77	44-68-0560	Plug - Cap	(1)
78	44-82-0140	Ram	(1)
79	44-94-0161	Depth Rod	(1)
80	45-06-0560	Oil Seal	(1)
82	45-34-0120	Socket	(1)
83	45-56-2591	Striker	(1)
84	45-88-8280	Thrust Washer	(2)
85	45-88-8291	Thrust Washer	(2)
86	45-88-8300	Washer	(1)
87	45-88-8310	Washer	(1)
88	45-88-8321	Washer	(2)
89	45-88-8330	Tab Washer	(1)
91	34-60-3610	Retaining Ring	(1)
	14-46-5368	Lubrication Service Kit	(1)

MILWAUKEE ELECTRIC TOOL CORPORATION
13135 W. LISBON RD., BROOKFIELD, WI 53005

SERVICE FIXTURES:

- 61-30-0280 Pressing Tool
- 61-30-0290 Assembly Tool

LUBRICATION INSTRUCTIONS
 Type "K" Grease, No. 49-08-4161
 Apply a thin film of grease to the following parts as indicated:

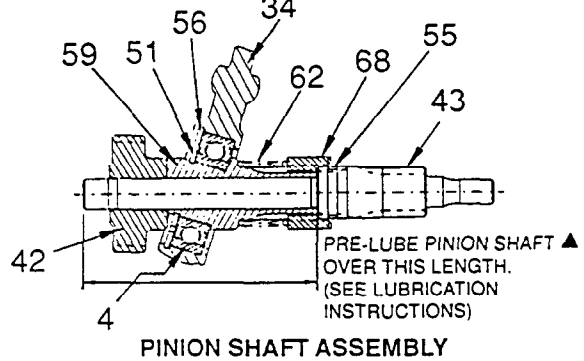
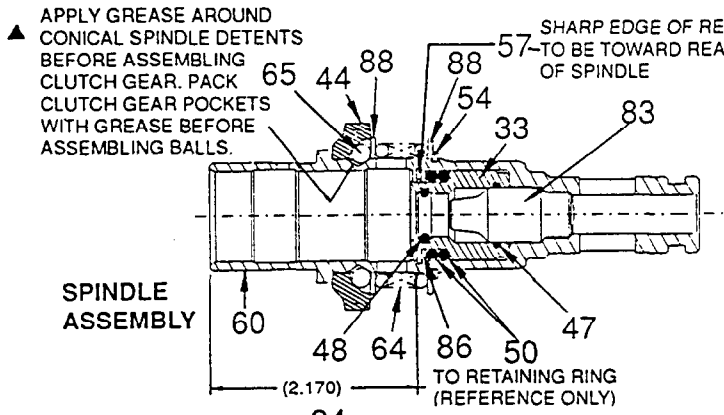
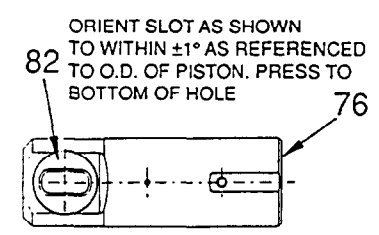
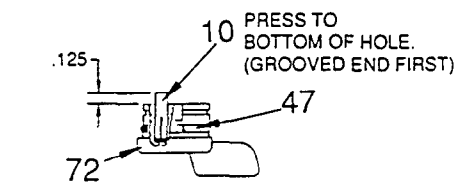
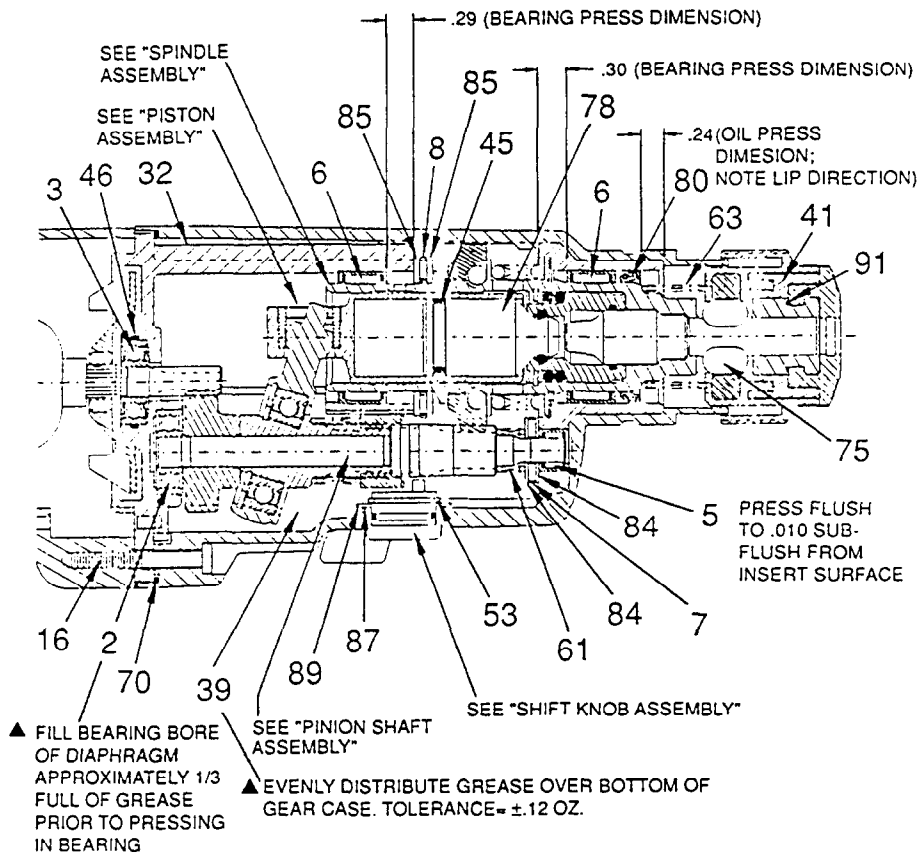
FIG.	INSTRUCTION
60	Large I.D. of spindle, forward and rear bearing journals.
33	Large I.D. of striker guide.
83	Striker-all over.
76,82	Inside and outside diameters of piston assembly, including I.D. of socket.
78	All over ram, except rear face.
32	Armature bearing bore of diaphragm.
45,46,50	O-rings.

Apply a thin to moderately heavy coat of grease to the following parts indicated:

FIG.	INSTRUCTION
75	Roller Pins (This also to aid in assembly).
47,48	O-rings.
42,43,44	All gear and pinion teeth.

CAUTION: THERE IS TO BE NO GREASE IN THE CHAMBER BETWEEN THE PISTON AND RAM BEYOND THE THIN COATINGS APPLIED TO THE TWO PARTS AS DESCRIBED ABOVE.

▲ **SEE ASSEMBLY LUBRICATION NOTE**



NOTE: THE WOBBLE SHAFT #59 AND THE INTERMEDIATE GEAR #42 ARE TO BE PRESSED FLUSH TO EACH OTHER, SO THAT THE WOBBLE SHAFT IS STILL ABLE TO REVOLVE FREELY - WITH .005" MAXIMUM AXIAL PLAY ON THE INTERMEDIATE SHAFT #58

● 14-46-5368 LUBRICATION SERVICE KIT

THIS KIT INCLUDES:

1	34-40-1215	O-Ring
1	34-40-4220	O-Ring
1	34-40-4225	O-Ring
2	34-40-4235	O-Ring
1	34-40-2450	O-Ring
1	34-80-5030	Retaining Ring
1	34-60-3610	Retaining Ring
1	42-76-0670	Dust Cap
1	43-44-0930	Gasket
2	44-60-1150	Roller Pin
1	49-08-4161	5 Oz. "K" Grease

22-18-0820 BRUSH SERVICE KIT

THIS KIT INCLUDES:

2	22-18-0850	Brush Spring Assy.
2	44-52-0495	Foam Slug (5368-4 Only)

Lubrication Note: MILWAUKEE recommends that scheduled maintenance of the Falcon Rotary Hammer include lubrication replacement, and replacement of vital O-rings and gaskets at each carbon brush change. Doing so will prolong the life of the hammer by reducing wear to gears and mechanism parts. The carbon brushes and armature commutator in the MILWAUKEE Falcon Rotary Hammer are designed and matched for many hours of reliable performance. The carbon brushes feature a unique pop-out feature which automatically shuts off the tool when the brushes are worn and need to be replaced.