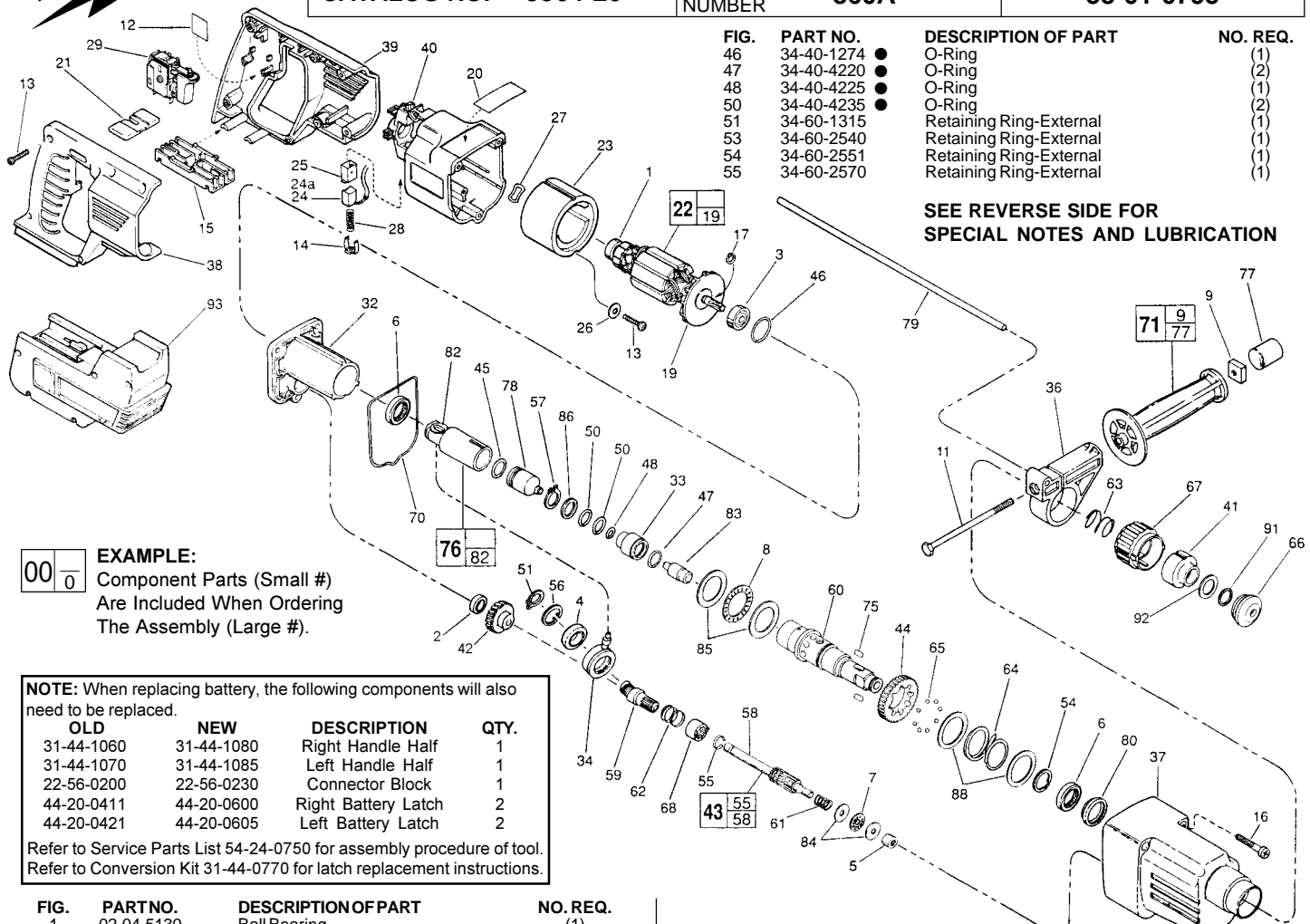


SERVICE PARTS LIST

BULLETIN NO.
54-24-0725

SPECIFY CATALOG NO. AND SERIAL NO. WHEN ORDERING PARTS		REVISED BULLETIN	DATE
3/4" CORDLESS ROTARY HAMMER			July 2001
CATALOG NO. 5364-20	SERIAL NUMBER 860A	WIRING INSTRUCTION 58-01-0795	



SEE REVERSE SIDE FOR SPECIAL NOTES AND LUBRICATION

EXAMPLE:

00	0
----	---

 Component Parts (Small #)
 Are Included When Ordering
 The Assembly (Large #).

NOTE: When replacing battery, the following components will also need to be replaced.

OLD	NEW	DESCRIPTION	QTY.
31-44-1060	31-44-1080	Right Handle Half	1
31-44-1070	31-44-1085	Left Handle Half	1
22-56-0200	22-56-0230	Connector Block	1
44-20-0411	44-20-0600	Right Battery Latch	2
44-20-0421	44-20-0605	Left Battery Latch	2

Refer to Service Parts List 54-24-0750 for assembly procedure of tool.
 Refer to Conversion Kit 31-44-0770 for latch replacement instructions.

FIG.	PART NO.	DESCRIPTION OF PART	NO. REQ.
1	02-04-5130	Ball Bearing	(1)
2	02-04-0820	Ball Bearing	(1)
3	02-04-0100	Ball Bearing	(1)
4	02-04-1510	Ball Bearing	(1)
5	02-50-1615	Needle Bearing	(1)
6	02-50-6455	Needle Bearing	(2)
7	02-80-0110	Thrust Bearing	(1)
8	02-80-0121	Thrust Bearing	(1)
9	06-54-0300	5/16-18 Square Nut	(1)
10	06-65-3690	1/8 x 1/2 Groove Pin	(1)
11	06-75-5835	5/16-18 x 4-1/2" Hex Hd. Bolt	(1)
12	10-15-0175	Wiring Instruction Label	(1)
13	06-82-7261	6-19 x 11/16" Pan Hd. Slot. Plast. T-15	(8)
14	22-32-0400	Brush Spring Clip	(2)
15	22-56-0200	Connector Block	(1)
16	05-88-5988	(K50 x 35mm) Pan Hd. Slot. T-20	(3)
17	34-60-0920	Retaining Ring-External	(1)
19	22-84-0160	Fan Assembly	(1)
20	12-20-0125	Service Nameplate Kit	(1)
21	43-62-1110	Reversing Shuttle	(1)
22	16-01-1120	Armature	(1)
23	18-01-0060	Field	(1)
24	22-18-0350	Brush Assembly (Bottom-Blue)	(1)
24a	22-18-0975	Brush Assembly (Top-White)	(1)
25	22-20-0860	Brush Tube	(2)
26	45-88-0320	Flat Steel Washer	(1)
27	45-88-5615	Wavy Spring Washer	(1)
28	40-50-8840	Brush Spring	(2)
29	23-66-2350	Switch	(1)
32	28-28-0640	Diaphragm	(1)
33	30-37-0050	Striker Guide	(1)
34	30-72-0100	Wobble Plate	(1)
36	31-17-0230	Handle Ring	(1)
37	31-40-0076	Gear Case	(1)
38	31-44-1060	Right Handle Half	(1)
39	31-44-1070	Left Handle Half	(1)
40	31-50-1570	Motor Housing	(1)
41	31-58-0522	Chuck Sleeve	(1)
42	32-40-1290	Intermediate Gear	(1)
43	14-29-0051	Pinion Shaft Assembly	(1)
44	32-10-4080	Clutch Gear	(1)
45	34-40-1215	O-Ring	(1)
46	34-40-1274	O-Ring	(1)
47	34-40-4220	O-Ring	(2)
48	34-40-4225	O-Ring	(1)
50	34-40-4235	O-Ring	(2)
51	34-60-1315	Retaining Ring-External	(1)
53	34-60-2540	Retaining Ring-External	(1)
54	34-60-2551	Retaining Ring-External	(1)
55	34-60-2570	Retaining Ring-External	(1)
56	34-80-2355	Retaining Ring-Internal	(1)
57	34-80-5030	Retaining Ring-Internal	(1)
58	36-66-4591	Pinion Shaft	(1)
59	36-92-0711	Wobble Shaft	(1)
60	38-50-6042	Spindle Assembly	(1)
61	40-50-8461	Spring	(1)
62	40-50-8470	Spring	(1)
63	40-50-8481	Spring	(1)
64	40-50-8491	Spring	(1)
65	02-02-1300	Ball	(8)
66	42-76-0672	Dust Cap	(1)
67	42-76-0291	Chuck Collar	(1)
68	42-90-0261	Coupling	(1)
70	43-44-0930	Gasket	(1)
71	43-62-0841	Side Handle Assembly	(1)
72	14-49-0010	Shift Knob Assembly	(1)
75	44-60-1150	Roller Pin	(2)
76	14-09-0135	Piston Assembly	(1)
77	44-68-0560	Plug - Cap	(1)
78	44-82-0140	Ram	(1)
79	44-94-0161	Depth Rod	(1)
80	45-06-0560	Oil Seal	(1)
82	45-34-0121	Socket	(1)
83	45-56-2591	Striker	(1)
84	45-88-8280	Thrust Washer	(2)
85	45-88-8291	Thrust Washer	(2)
86	45-88-8300	Washer	(1)
87	45-88-8310	Washer	(1)
88	45-88-8321	Washer	(2)
89	45-88-8330	Tab Washer	(1)
91	34-60-3680	Retaining Ring-External	(1)
92	45-88-8835	Washer	(1)
93	-----	Battery (Accessory)	(1)
	14-46-5364	Lubrication Service Kit	(1)

SERVICE FIXTURES:

- 61-30-0280 Pressing Tool
- 61-30-0290 Assembly Tool

LUBRICATION INSTRUCTIONS

Type "N" Grease, No. 49-08-4230

Apply a thin film of grease to the following parts as indicated:

FIG.	INSTRUCTION
60	Large I.D. of spindle, forward and rear bearing journals.
33	Large I.D. of striker guide.
83	Striker-all over.
76,82	Inside and outside diameters of piston assembly, including I.D. of socket.
78	All over ram, except rear face.
59	Outside bearing journal of wobble shaft.
34	Bearing bore and ball diameter of wobble plate.
32	Armature and intermediate bearing bores of diaphragm.
9	Square nut threads.
45,46,50	O-rings.

Apply a thin to moderately heavy coat of grease to the following parts indicated:

FIG.	INSTRUCTION
58	Apply over the length shown in the "Intermediate Shaft Assembly".
75	Roller Pins (This also to aid in assembly).
47,48	O-rings.
42,43,44	All gear and pinion teeth.

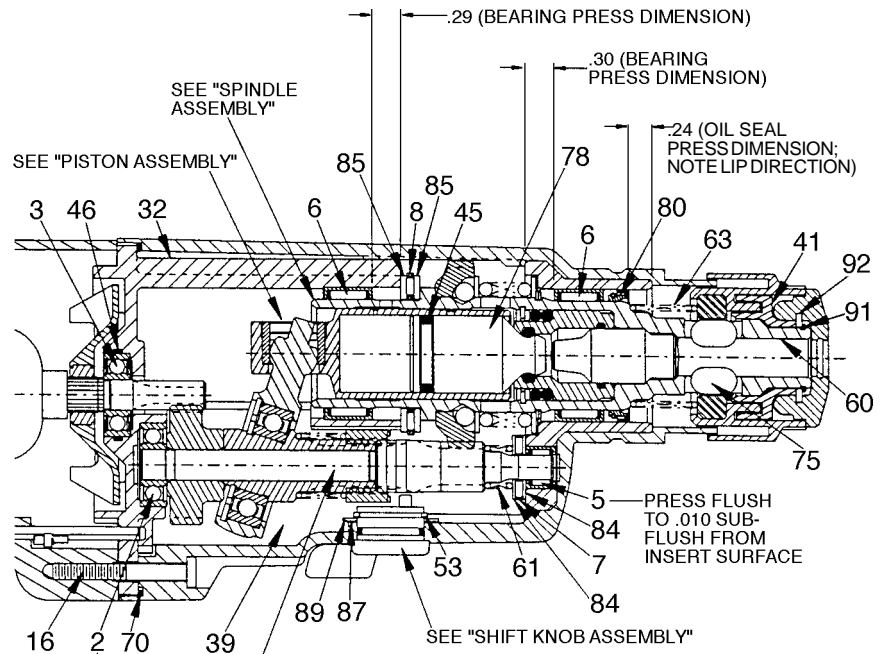
CAUTION: THERE IS TO BE NO GREASE IN THE CHAMBER BETWEEN THE PISTON AND RAM BETWEEN THE THIN COATINGS APPLIED TO THE TWO PARTS AS DESCRIBED ABOVE.

▲ SEE ASSEMBLY LUBRICATION NOTE

**•14-46-5364 LUBRICATION SERVICE KIT
THIS KIT INCLUDES:**

1	34-40-1215	O-Ring
1	34-40-4220	O-Ring
1	34-40-4225	O-Ring
2	34-40-4235	O-Ring
1	34-40-1274	O-Ring
1	34-60-3680	Retaining Ring
1	34-80-5030	Retaining Ring
1	42-76-0672	Dust Cap
1	43-44-0930	Gasket
2	44-60-1150	Roller Pin
1	49-08-4230	6 Oz. "N" Grease

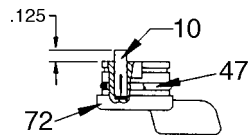
Lubrication Note: MILWAUKEE recommends that scheduled maintenance of the 18 Volt Rotary Hammer include lubrication replacement, and replacement of vital O-rings and gaskets at each carbon brush change. Doing so will prolong the life of the hammer by reducing wear to gears and mechanism parts. The carbon brushes and armature commutator in the MILWAUKEE 18 Volt Rotary Hammer are designed and matched for many hours of reliable performance.



▲ FILL BEARING BORE OF DIAPHRAGM APPROXIMATELY 1/3 FULL OF GREASE PRIOR TO PRESSING IN BEARING

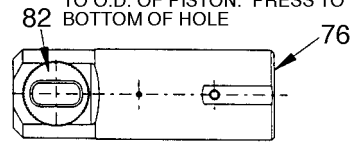
▲ EVENLY DISTRIBUTE 3.0 ± .12 OZ. OF GREASE OVER BOTTOM OF GEARCASE.

PRESS TO BOTTOM OF HOLE. (GROOVED END FIRST)



SHIFT KNOB ASSEMBLY

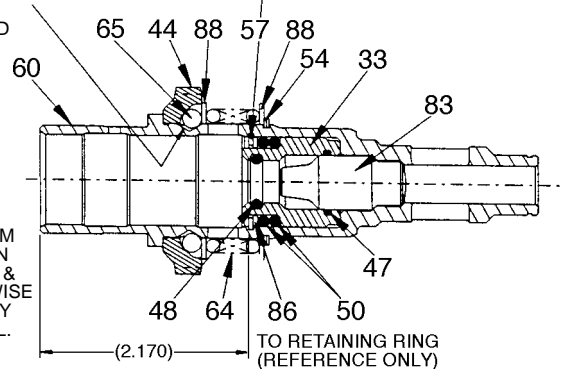
ORIENT SLOT AS SHOWN TO WITHIN ±1° AS REFERENCED TO O.D. OF PISTON. PRESS TO BOTTOM OF HOLE



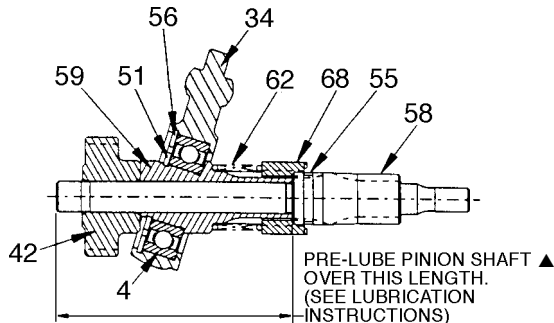
PISTON ASSEMBLY

▲ COAT SPINDLE DETENTS WITH GREASE PRIOR TO ASSEMBLING CLUTCH GEAR. PACK CLUTCH GEAR POCKETS WITH GREASE AFTER ASSEMBLING BALLS AND BEFORE ASSEMBLING WASHER. (SEE GENERAL LUBRICATION NOTES)

SHARP EDGE OF RETAINING RING TO BE TOWARD REAR (←) OF SPINDLE



SPINDLE ASSEMBLY



PINION SHAFT ASSEMBLY

NOTE: THE WOBBLE SHAFT #59 AND THE INTERMEDIATE GEAR #42 ARE TO BE PRESSED FLUSH TO EACH OTHER, SO THAT THE WOBBLE SHAFT IS STILL ABLE TO REVOLVE FREELY - WITH .005" MAXIMUM AXIAL PLAY ON THE INTERMEDIATE SHAFT #43.