



SERVICE PARTS LIST

BULLETIN NO.
54-24-0133

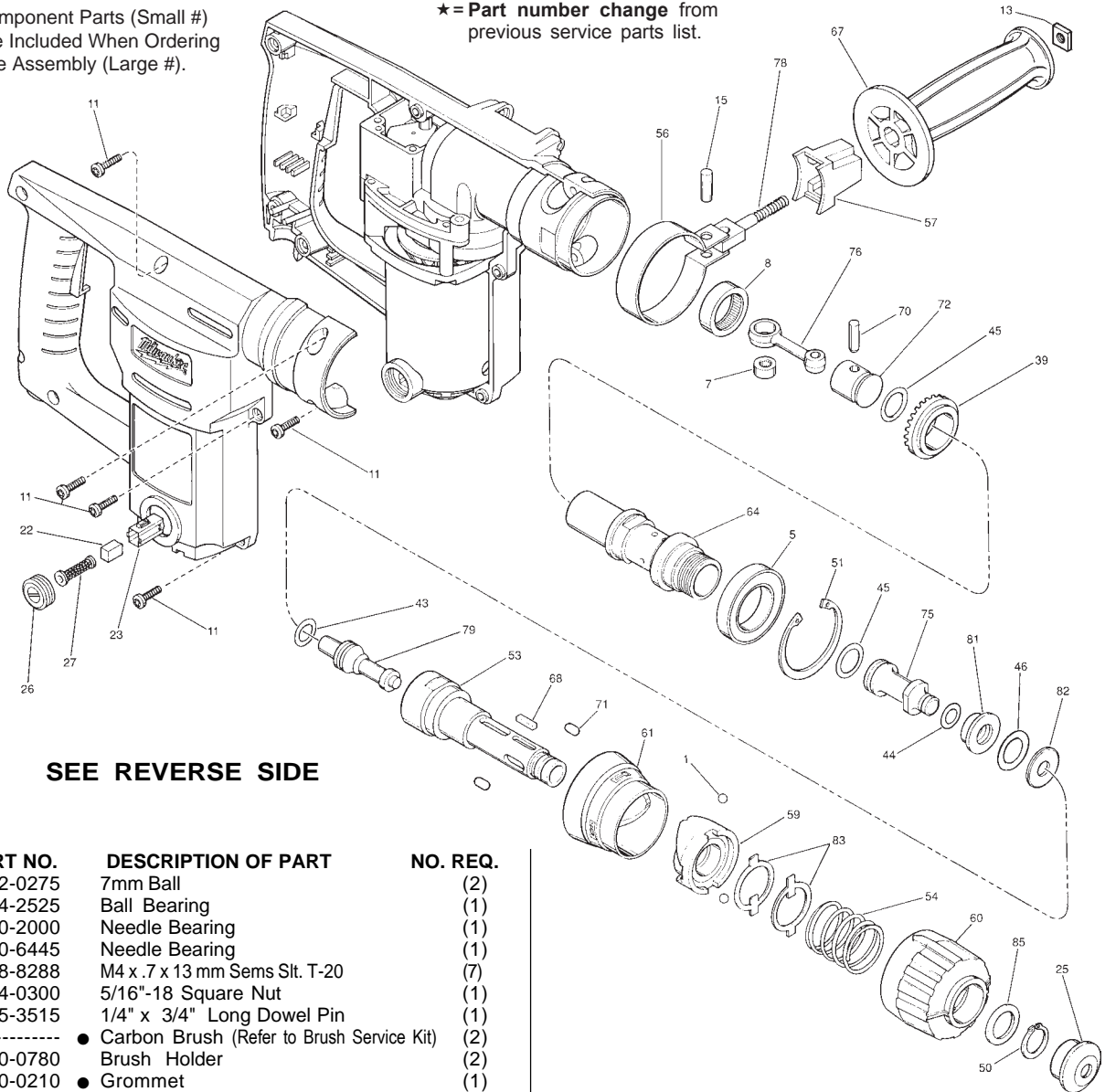
SPECIFY CATALOG NO. AND SERIAL NO. WHEN ORDERING PARTS		REVISED BULLETIN 54-24-0132	DATE Nov. 2003
1" HAWK ROTARY HAMMER			
CATALOG NO.	5362-1	STARTING SERIALNO.	707C
		WIRING INSTRUCTION 58-01-0736	

EXAMPLE:

00 0

Component Parts (Small #)
Are Included When Ordering
The Assembly (Large #).

★ = Part number change from
previous service parts list.



SEE REVERSE SIDE

FIG.	PART NO.	DESCRIPTION OF PART	NO. REQ.
	1	7mm Ball	(2)
	5	Ball Bearing	(1)
	7	Needle Bearing	(1)
	8	Needle Bearing	(1)
	11	M4 x .7 x 13 mm Sems Slit. T-20	(7)
	13	5/16"-18 Square Nut	(1)
	15	1/4" x 3/4" Long Dowel Pin	(1)
	22	● Carbon Brush (Refer to Brush Service Kit)	(2)
	23	Brush Holder	(2)
	25	● Grommet	(1)
	26	Brush Cap Screw	(2)
	27	● Brush Spring (Refer to Brush Serv. Kit)	(2)
	39	Bevel Gear	(1)
	43	● Quad Ring Seal	(1)
	44	● O-Ring	(1)
	45	● O-Ring	(2)
	46	● O-Ring	(1)
	50	● External Retaining Ring	(1)
	51	● Internal Retaining Ring	(1)
	53	Spindle	(1)
	54	Spring	(1)
	56	Side Handle Band	(1)
	57	Side Handle Bracket	(1)
	59	Chuck Cam	(1)
	60	Chuck Collar	(1)
	61	Lockout Collar	(1)
	64	Barrel	(1)
	67	Side Handle	(1)
	68	Key	(1)
	70	Wrist Pin	(1)
★	71	● Roller Pin	(2)
	72	Piston	(1)
	75	Ram	(1)

FIG.	PART NO.	DESCRIPTION OF PART	NO. REQ.
	76	Connecting Rod	(1)
	78	Side Handle Screw	(1)
	79	Striker	(1)
	81	Ram Catcher Washer	(1)
	82	Cushion Washer	(1)
	83	Spring Support Washer	(2)
	85	Chuck Collar Washer	(1)

FIG. LUBRICATION

64 3/4 Oz. Type "S2" Grease, No. 49-08-5265, on barrel chamber, between bearing and gear.

FIG. NOTES

46,53, 64,81, 82 Apply two (2) drops of Type AV 271 Red Loctite or equivalent, 180 degrees apart to male threads of barrel. Position ram catcher washer into end of barrel. Place cushion washer and o-ring into spindle. Thread spindle onto barrel. Place spindle nose down and clamp with vice on spindle flats while turning barrel clockwise using flats of barrel. Tighten to 85 ft./lbs.

MILWAUKEE ELECTRIC TOOL CORPORATION
13135 W. LISBON RD., BROOKFIELD, WI 53005

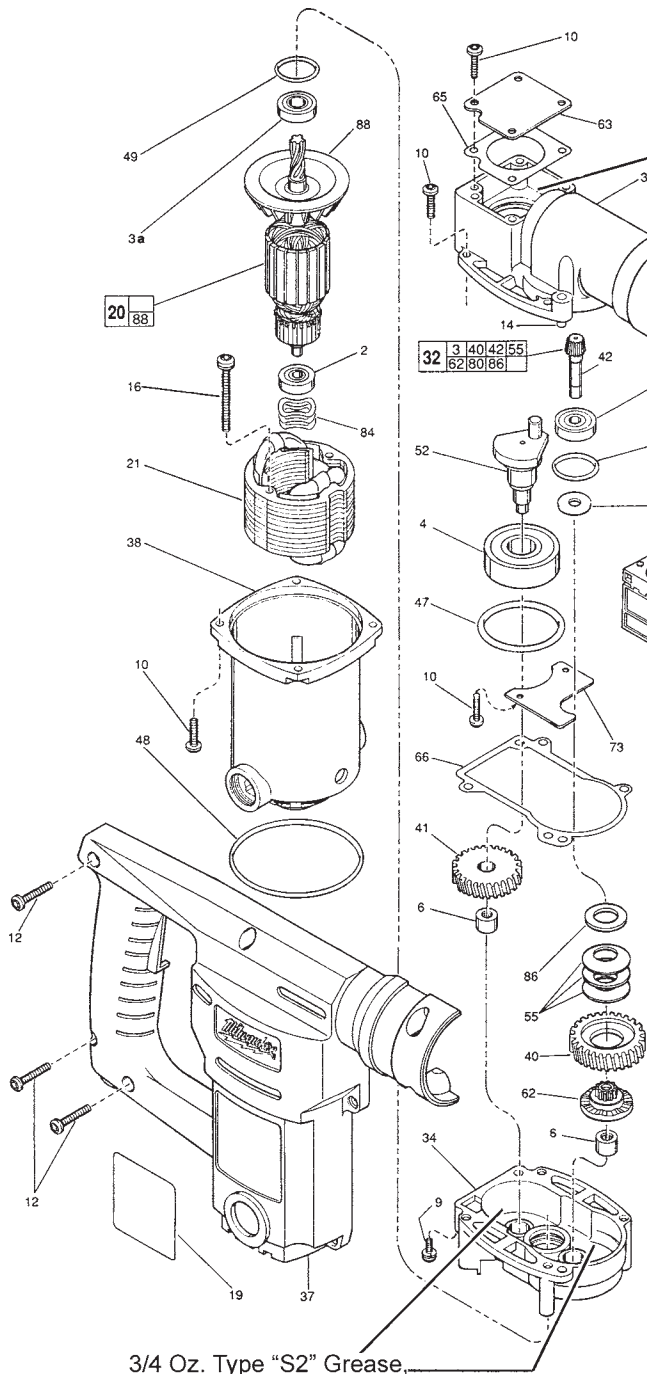


FIG.	PART NO.	DESCRIPTION OF PART	NO. REQ.
2	02-04-0648	Ball Bearing	(1)
3	-----▲	Ball Bearing	(1)
3a	02-04-0851	Ball Bearing	(1)
4	02-04-1710	Ball Bearing	(1)
6	02-50-1620	Needle Bearing	(2)
9	05-88-8300	M4 x .7 x 10mm T-20 Screw	(1)
★10	05-88-3641	M4 x .7 x 16mm Taptite T-20	(14)

▲ = Component of 32 Clutch Assembly
 ★ = Part number change from previous service parts list.

FIG.	PART NO.	DESCRIPTION OF PART	NO. REQ.
12	05-88-8296	M4 x .7 x 21mm Sems Slit. T-20	(3)
14	06-65-1310	1/4" x 5/8" Long Dowel Pin	(2)
16	06-82-8989	8-32 x 1-11/16" Pan Hd. T-20	(2)
19	12-20-0390	Service Nameplate Kit	(1)
20	16-10-0090	120 Volt Armature	(1)
21	18-10-0091	120 Volt Field	(1)
24	22-64-3200	Cord Set	(1)
★28	23-66-2121	TSC Switch	(1)
★32	14-08-0105	Clutch Assembly	(1)
★34	28-14-2141	Gear Case	(1)
35	28-14-2160	Crank Case	(1)
36	31-44-1326	Left Handle Half	(1)
37	31-44-1331	Right Handle Half	(1)
38	31-50-0860	Motor Housing	(1)
★40	-----▲	Intermediate Clutch Gear	(1)
41	32-40-2020	Intermediate Crank Shaft Gear	(1)
42	-----▲	Bevel Pinion	(1)
47	34-40-1550●	O-Ring	(1)
48	34-40-2400●	O-Ring	(1)
49	34-40-2450●	O-Ring	(2)
52	36-17-0100	Crank Shaft	(1)
★55	-----▲	Belleville Washer	(3)
★62	-----▲	Clutch Collar	(1)
63	42-92-0335	Crank Case Cover	(1)
65	43-44-0680●	Crank Case Cover Gasket	(1)
66	43-44-0905●	Gear Case Gasket	(1)
69	44-10-0300	Depth Rod Lever	(1)
★73	44-66-5761	Bearing Retaining Plate	(1)
74	44-76-0210	Cord Protector	(1)
77	44-94-0280	Depth Rod	(1)
★80	-----▲	Washer	(1)
84	45-88-5615	Wave Spring Washer	(3)
★86	-----▲	Washer	(1)
88	22-84-0650	Fan	(1)
90	45-06-0530	1" Handle Seal	(1)
91	45-06-0525	1/4" Handle Seal	(1)

22-18-0880 BRUSH SERVICE KIT
THIS KIT INCLUDES:

- 2 ----- Carbon Brush
- 2 23-52-0255 Brush Spring

● 14-46-5362 HAMMER SERVICE KIT
THIS KIT INCLUDES:

- 1 22-90-0210 Grommet
- 2 ----- Carbon Brush
- 2 23-52-0255 Brush Spring
- 1 34-40-1210 O-Ring
- 2 34-40-1215 O-Ring
- 1 34-40-1220 O-Ring
- 1 34-40-1550 O-Ring
- 1 34-40-2400 O-Ring
- 2 34-40-2450 O-Ring
- 1 34-60-2520 Retaining Ring
- 1 43-44-0680 Gasket
- 1 43-44-0905 Gasket
- 2 44-60-1150 Roller Pin
- 1 45-06-0510 Quad Ring Seal
- 1 34-80-2980 Internal Retaining Ring
- 1 49-08-5265 7 Oz. Type "S2" Grease

★ FIG. LUBRICATION

- ★ 34 3/4 Oz. Type "S2" Grease, No. 49-08-5265, in gear case.
- 35 1/2 Oz. Type "S2" Grease, No. 49-08-5265, in crank case cavity.