



SERVICE PARTS LIST

BULLETIN NO.
55-24-0501

SPECIFY CATALOG NO. AND SERIAL NO. WHEN ORDERING PARTS		REVISED BULLETIN	DATE
OEM FALCON		55-24-0501	Jan. '97
CATALOG NO.	5361-3	WIRING INSTRUCTION	
SERIAL NUMBER	883B	58-01-1316	

00 0

EXAMPLE:
Component Parts (Small #) Are Included
When Ordering The Assembly (Large #).

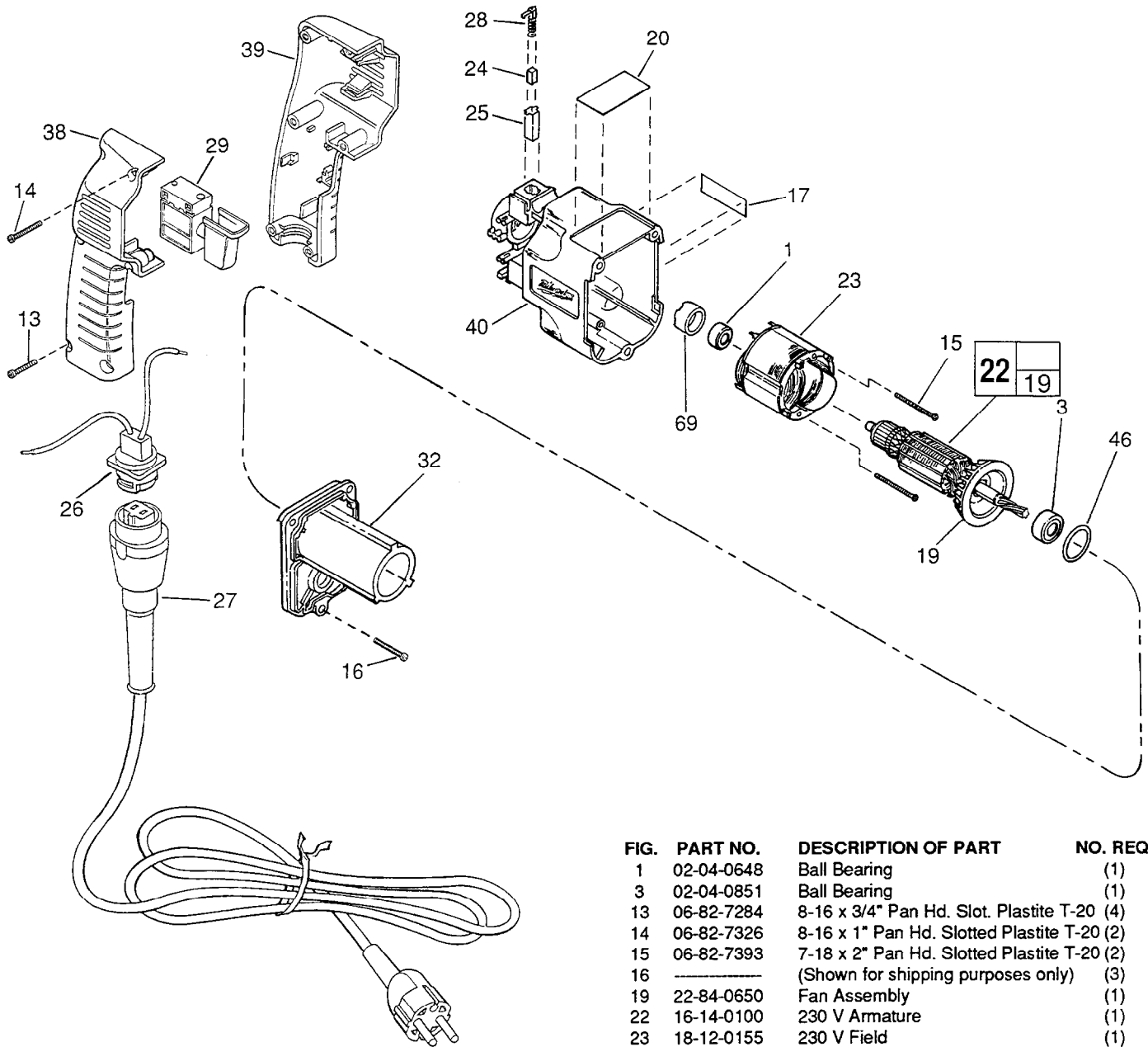


FIG.	PART NO.	DESCRIPTION OF PART	NO. REQ.
1	02-04-0648	Ball Bearing	(1)
3	02-04-0851	Ball Bearing	(1)
13	06-82-7284	8-16 x 3/4" Pan Hd. Slot. Plastite T-20	(4)
14	06-82-7326	8-16 x 1" Pan Hd. Slotted Plastite T-20	(2)
15	06-82-7393	7-18 x 2" Pan Hd. Slotted Plastite T-20	(2)
16	-----	(Shown for shipping purposes only)	(3)
19	22-84-0650	Fan Assembly	(1)
22	16-14-0100	230 V Armature	(1)
23	18-12-0155	230 V Field	(1)
24	22-18-0820	Brush Service Kit	(1)
25	22-20-0810	Brush Tube	(2)
★ 26	22-56-0694	Blade Housing Assembly	(1)
★ 27	48-76-5012	Quik-Lok Cord Set	(1)
28	22-18-0850	Brush Spring Assembly	(2)
29	23-66-2126	Switch	(1)
32	-----	(Shown for shipping purposes only)	(1)
★ 38	31-44-1781	Right Handle Half	(1)
★ 39	31-44-1785	Left Handle Half	(1)
★ 40	31-50-0991	Motor Housing	(1)
69	42-96-0140	Bearing Cup	(1)

MILWAUKEE ELECTRIC TOOL CORPORATION
13135 W. LISBON RD., BROOKFIELD, WI 53005