



SERVICE PARTS LIST

BUL. 54-24-3004

ROTARY HAMMER

REVISED BUL. 54-24-3003 DATE Sept. '73

Catalog No. 5350

Starting Serial No. **389-9885**

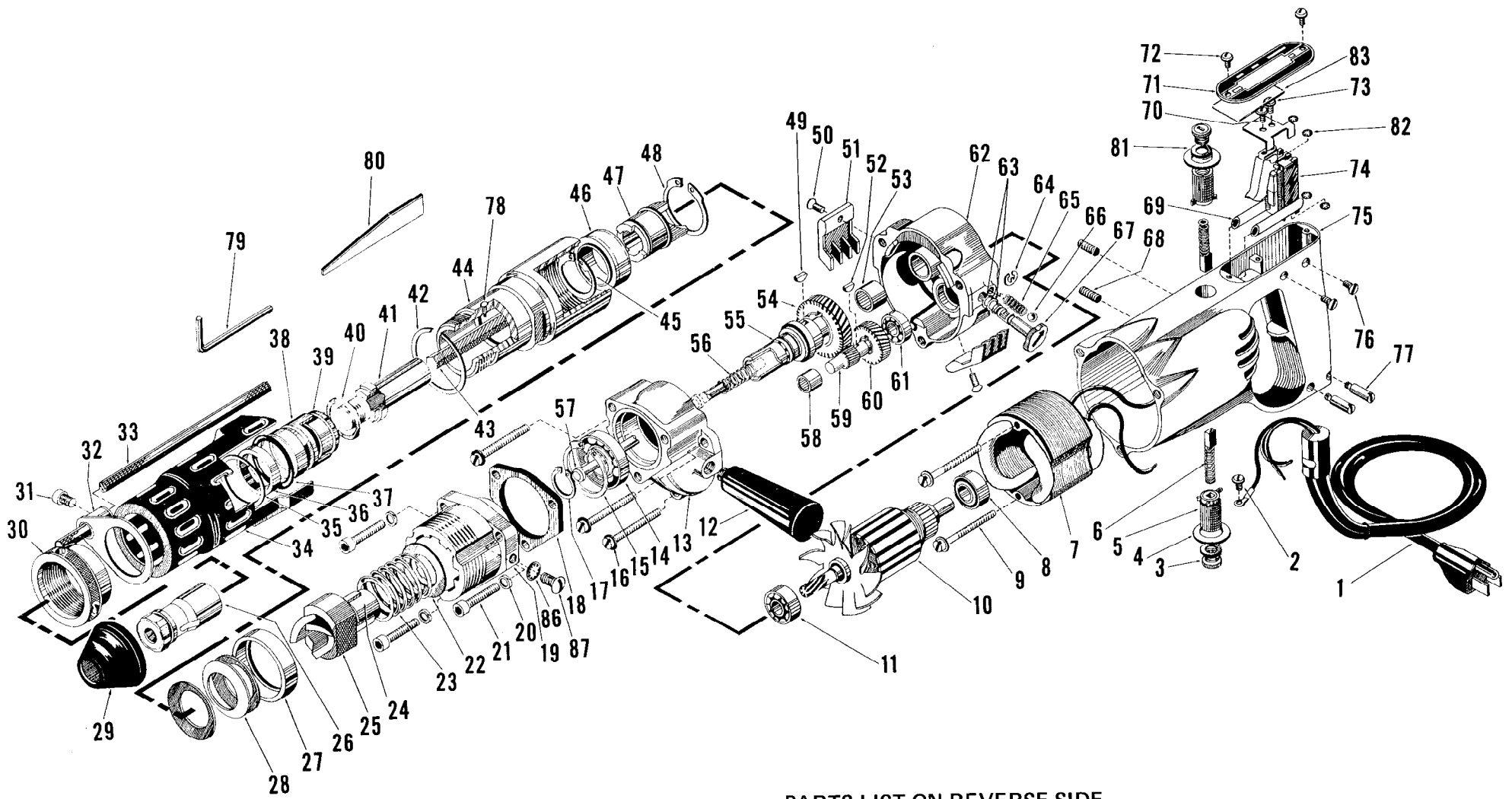
WIRING INSTRUCTIONS
58-01-0180

Specify Catalog and Serial No. when ordering parts

ILLUSTRATION ON REVERSE SIDE

FIG.	PART NO.	DESCRIPTION OF PART
1	22-64-0180	Cord Set
2	06-81-8625	6-32x1/4 Rd. Hd. (Bronze) Ground Screw
3	23-44-0060	Brush Retaining Screw (2)
4	23-86-0110	Insulating Washer (2)
5	22-22-0080	Brush Holder Assembly (2)
6	22-18-0100	Carbon Brush Assembly (2)
7	18-42-1200	Field Assembly
8	02-04-0970	Ball Bearing
9	06-81-7325	10-24x2 Fil.Hd. Sem Field Screws (2)
10	16-42-1360	Armature Assembly
11	02-04-0940	Ball Bearing
12	43-62-0410	Handle
13	28-14-1312	Gear Case Assembly
14	02-08-0750	Ball Bearing
15	34-80-3100	Spindle Bearing Retaining Ring
16	06-81-7610	12-24x2-3/8 Fil. Hd. Gear Case Sem.(3)
17	34-60-1600	Spindle Retaining Ring
18	43-44-0260	Gasket
19	43-76-0211	Ram Housing Assy. (Includes items 86 & 87)
20	06-97-4050	1/4 Split Ring Lockwasher (3)
21	06-75-3200	1/4-20x1 1/4 Soc.Hd. Ram Hsg. Cap Sc. (3)
22	45-88-7030	Ram Spring Washer
23	40-50-7630	Ram Spring
24	42-40-0431	Ram Bushing
25	30-75-0072	Ram Assembly (includes item 24)
26	48-03-3610	Adapter ("A" Taper)
27	43-76-0221	Buffer Spring Housing
28	40-50-7620	Ram Buffer Disc Spring (3)
29	49-62-0080	Dust Shield
30	44-40-0301	Sleeve Nut
31	06-75-2900	1/4-20x3/8 Soc.Hd.Depth Gauge Cap Screw
32	43-46-0130	Depth Gauge Assembly
33	44-94-0140	Depth Gauge Rod
34	31-55-0050	Shield
35	34-80-2925	Nose Housing Retaining Ring
36	45-06-0150	Grease Seal
37	34-40-1400	Nose Housing "O" Ring
38	43-76-0252	Nose Housing Assembly (includes item 39)
39	42-40-0421	Nose Housing Bushing
40	45-88-7040	Thrust Washer
★ 41	38-50-5006	Chuck Spindle Assembly
42	34-60-2250	Sleeve Retaining Ring

FIG.	PART NO.	DESCRIPTION OF PART
43	43-12-0080	Hex Driver
44	45-22-0252	Sleeve Assembly
45	34-60-2020	Cam Retaining Ring
46	02-20-4000	Ball Bearing
47	30-15-0075	Cam
48	34-80-3100	Cam Bearing Retaining Ring
49	06-42-0800	Woodruff Key
50	06-81-3620	8-32x1/2 Oval Hd. Vent Cover Scs. (2)
51	31-15-0050	Vent Cover (2)
52	06-42-0800	Woodruff Key
53	02-50-3100	Needle Bearing
54	32-75-2681	Spindle Gear
★ 55	38-50-4973	Spindle Assembly
56	40-50-7610	Shift Pin Spring
57	44-60-0370	Shift Pin
58	02-50-2010	Needle Bearing
59	36-66-4026	Int. Pinion Shaft
60	32-42-1291	Intermediate Gear
61	02-04-0820	Ball Bearing
62	28-28-1431	Diaphragm
63	34-40-0900	Shift Shaft "O" Ring (2)
★ 64	34-60-0525	Shift Shaft Retaining Ring
65	40-50-1200	Shift Shaft Index Spring
66	02-02-0180	3/16 Steel Ball
67	45-08-0101	Shift Shaft
68	06-83-2670	1/4-20x1/2 Soc.Hd. Brush Holder Set Sc. (2)
69	23-48-7326	Field Wire Sleeve (2)
70	42-36-0170	Switch Bracket
71	12-98-0500	Name Plate
72	06-81-8400	4-40x1/4 Rd.Hd. Sem Name Plate Scs. (2)
73	06-81-8650	6-32x1/4 Rd.Hd. Sem Switch Bracket Scs. (2)
74	23-66-0580	Switch w/screws
75	28-50-4686	Motor Housing
76	06-81-3400	6-32x1/4 Oval Hd.Switch Locating Scs. (2)
77	45-04-0100	Cord Retaining Screws (2)
78	06-77-0625	1/8 Drive Screw (2)
79	49-96-0080	Socket Wrench
80	48-86-0050	Drift Key
81	23-86-0050	Rubberized Retaining Washer (2)
82	06-97-1800	#6 Internal Tooth Lockwasher (4)
83	23-16-0390	Switch Insulator
84	42-70-0080	Key Clip
85	06-81-8650	6-32x1/4 Rd.Hd. Sem Key Clip Screw
86	06-97-2600	Internal Tooth Lockwasher
87	06-81-4700	1/4-20x1/2 Round Head Screw



PARTS LIST ON REVERSE SIDE