



SERVICE PARTS LIST

SPECIFY CATALOG NO. AND SERIAL NO. WHEN ORDERING PARTS		REVISED BULLETIN	DATE
1-3/4" (45mm) SDS MAX ROTARY HAMMER		55-24-0825	Apr. 2004
CATALOG NO. 5346-51	STARTING SERIAL NO. 187B	WIRING INSTRUCTION 58-01-1205	

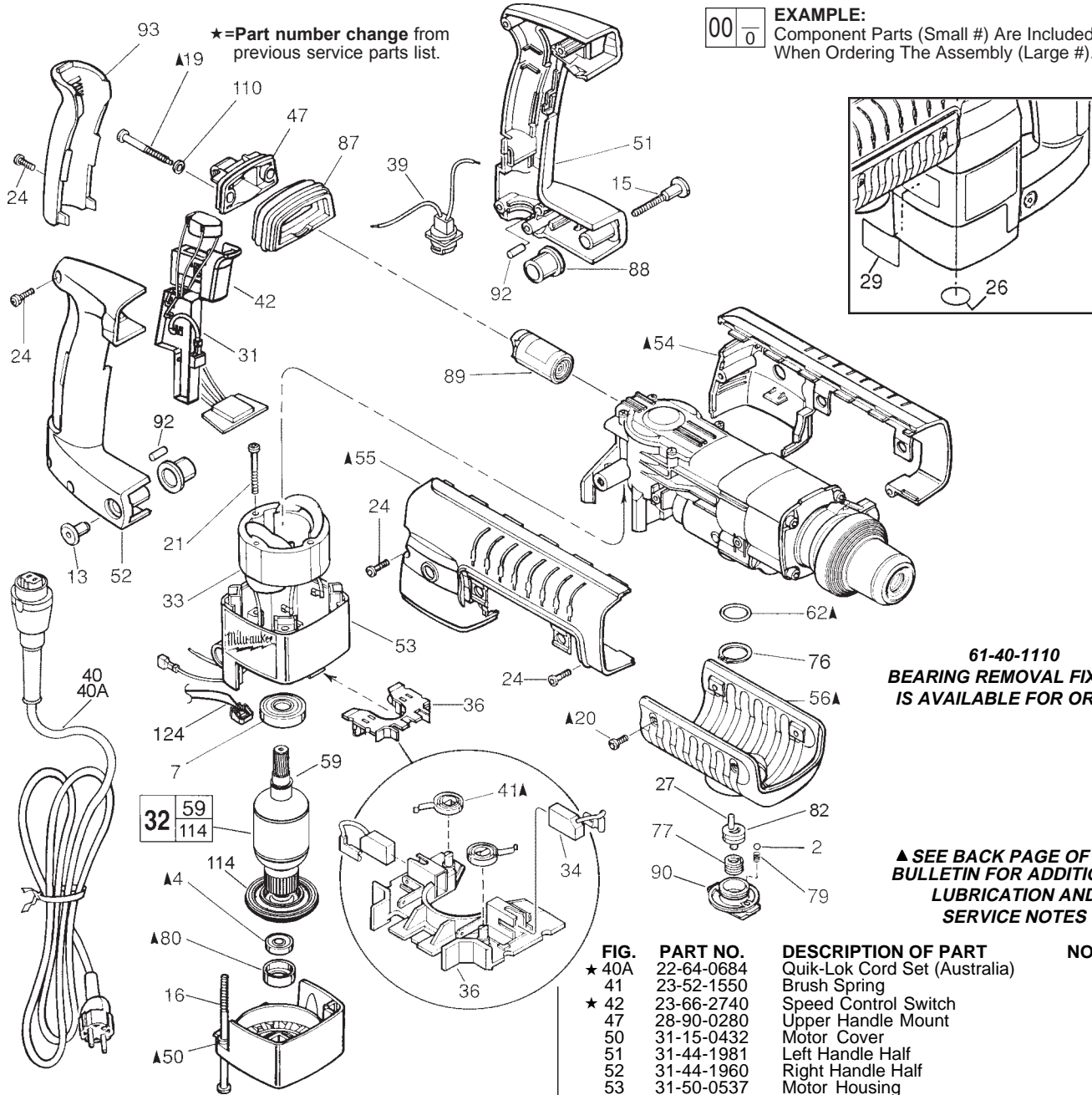
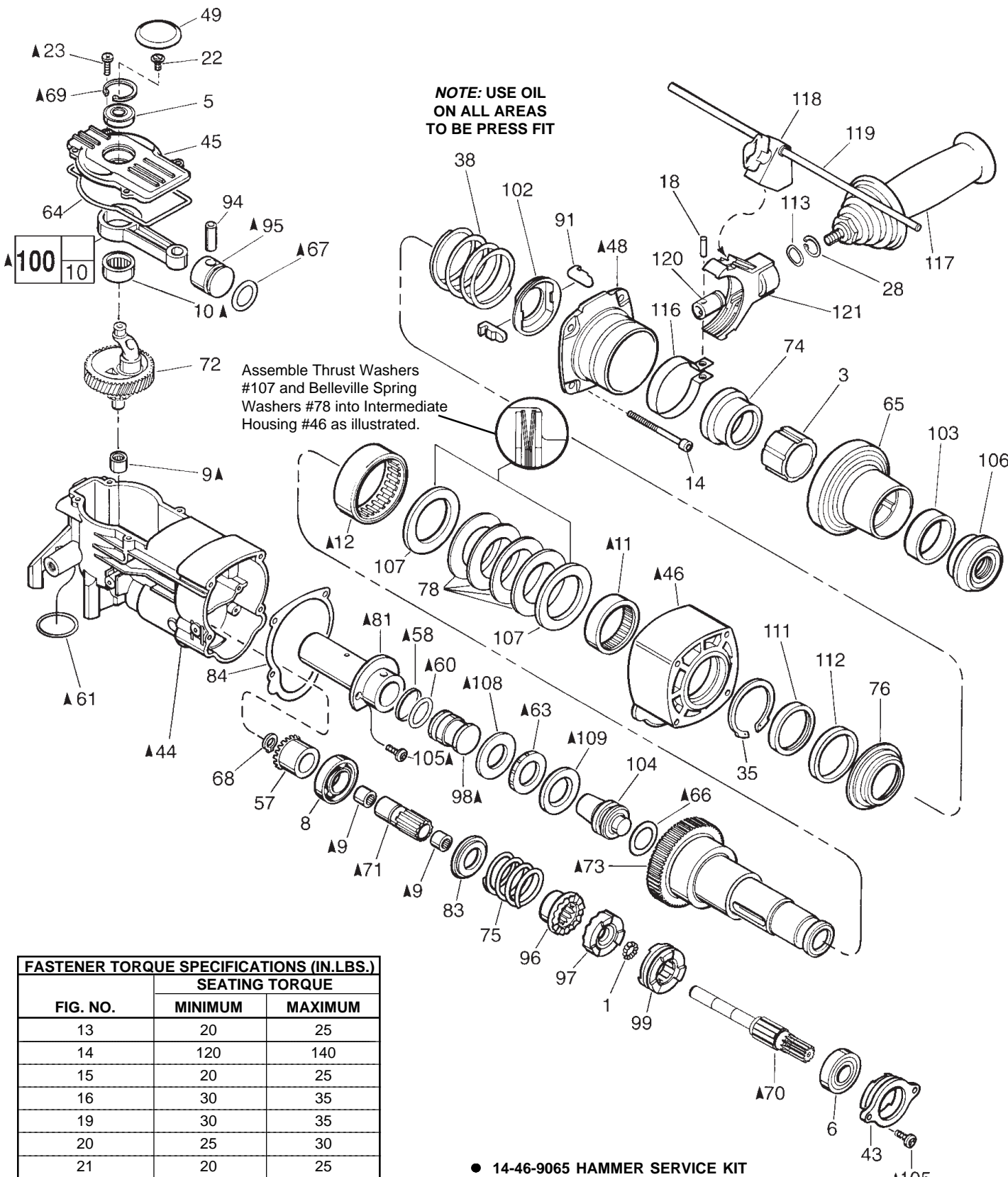


FIG.	PART NO.	DESCRIPTION OF PART	NO. REQ.
	2	02-02-1300	
	4	02-04-0847	
	7	02-04-1518	
	13	05-59-0100	
	15	05-77-0100	
	16	05-81-0920	
	19	06-81-1805	
	20	06-82-7252	
	21	06-82-7425	
	24	06-95-6290	
	26	10-75-2760	
	27	06-65-3720	
	29	12-20-3330	
	31	14-20-0045	
	32	16-54-0045	
	33	18-54-0045	
	34	22-18-0875	
	36	22-22-1480	
	39	22-56-1020	
	40	48-76-5012	
	59	34-60-3620	
	79	40-50-8690	
	82	42-96-0130	
	87	43-87-0030	
	88	43-87-0040	
	89	43-87-0060	
	90	43-98-0470	
	92	14-46-1001	
	93	44-52-0580	
	110	45-88-8555	
	114	22-84-0875	
	124	-----	
	★	23-78-0110	
	41	23-52-1550	(2)
	★ 42	23-66-2740	(1)
	47	28-90-0280	(1)
	50	31-15-0432	(1)
	51	31-44-1981	(1)
	52	31-44-1960	(1)
	53	31-50-0537	(1)
	54	31-55-0240	(1)
	55	31-55-0250	(1)
	56	31-55-0230	(1)
	59	34-60-3620	(1)
	62	34-40-4160	(1)
	76	34-60-3630	(1)
	77	40-50-8585	(1)
	79	40-50-8690	(2)
	80	42-96-0130	(1)
	82	43-06-0690	(1)
	87	43-87-0030	(1)
	88	43-87-0040	(2)
	89	43-87-0060	(1)
	90	43-98-0470	(1)
	92	14-46-1001	(1)
	93	44-52-0580	(1)
	110	45-88-8555	(2)
	114	22-84-0875	(1)
	124	-----	(1)
	★	23-78-0110	(2)

FIG.	PART NO.	DESCRIPTION OF PART	NO. REQ.
★ 40A	22-64-0684	Quik-Lok Cord Set (Australia)	(1)
41	23-52-1550	Brush Spring	(2)
★ 42	23-66-2740	Speed Control Switch	(1)
47	28-90-0280	Upper Handle Mount	(1)
50	31-15-0432	Motor Cover	(1)
51	31-44-1981	Left Handle Half	(1)
52	31-44-1960	Right Handle Half	(1)
53	31-50-0537	Motor Housing	(1)
54	31-55-0240	Left Shroud	(1)
55	31-55-0250	Right Shroud	(1)
56	31-55-0230	Belly Shroud	(1)
59	34-60-3620	Retaining Ring	(1)
62	34-40-4160	O-Ring	(1)
76	34-60-3630	Retaining Ring	(1)
77	40-50-8585	Torsion Spring	(1)
79	40-50-8690	Compression Spring	(2)
80	42-96-0130	Bearing Cup	(1)
82	43-06-0690	Shift Disk	(1)
87	43-87-0030	Isolation Bellows	(1)
88	43-87-0040	Pivot Isolator	(2)
89	43-87-0060	Isolation Module Assembly	(1)
90	43-98-0470	Rotostop Knob	(1)
92	14-46-1001	Foam Slug Kit (Bag of 10)	(1)
93	44-52-0580	Handle Cushion	(1)
110	45-88-8555	Rubber Washer	(2)
114	22-84-0875	Fan	(1)
124	-----	Inductor Boat (Incl. with Fig. 31)	(1)
★	23-78-0110	Wire Tie (See Bulletin 58-01-1205)	(2)



NOTE: USE OIL ON ALL AREAS TO BE PRESS FIT

Assemble Thrust Washers #107 and Belleville Spring Washers #78 into Intermediate Housing #46 as illustrated.

FASTENER TORQUE SPECIFICATIONS (IN.LBS.)

FIG. NO.	SEATING TORQUE	
	MINIMUM	MAXIMUM
13	20	25
14	120	140
15	20	25
16	30	35
19	30	35
20	25	30
21	20	25
22	20	25
23	25	30
24	15	20
25	35	45
105	60	70

22-18-0875 CARBON BRUSH SERVICE KIT
 THIS KIT CONTAINS:
 2 ----- Carbon Brush

14-46-9065 HAMMER SERVICE KIT
 THIS KIT CONTAINS:

1	31-12-0270	Cap-Cover
1	34-40-4310	Rubber Damping Washer
1	34-40-4320	Seal-Cover
1	34-40-4350	O-Ring
1	34-40-0045	Cap Seal
1	34-40-0046	O-Ring
1	34-40-4470	O-Ring
1	42-96-0130	Bearing Cup
1	43-44-0970	Gasket
1	45-06-0680	Felt Seal
1	49-08-5265	7 Oz. Tube "S2" Grease

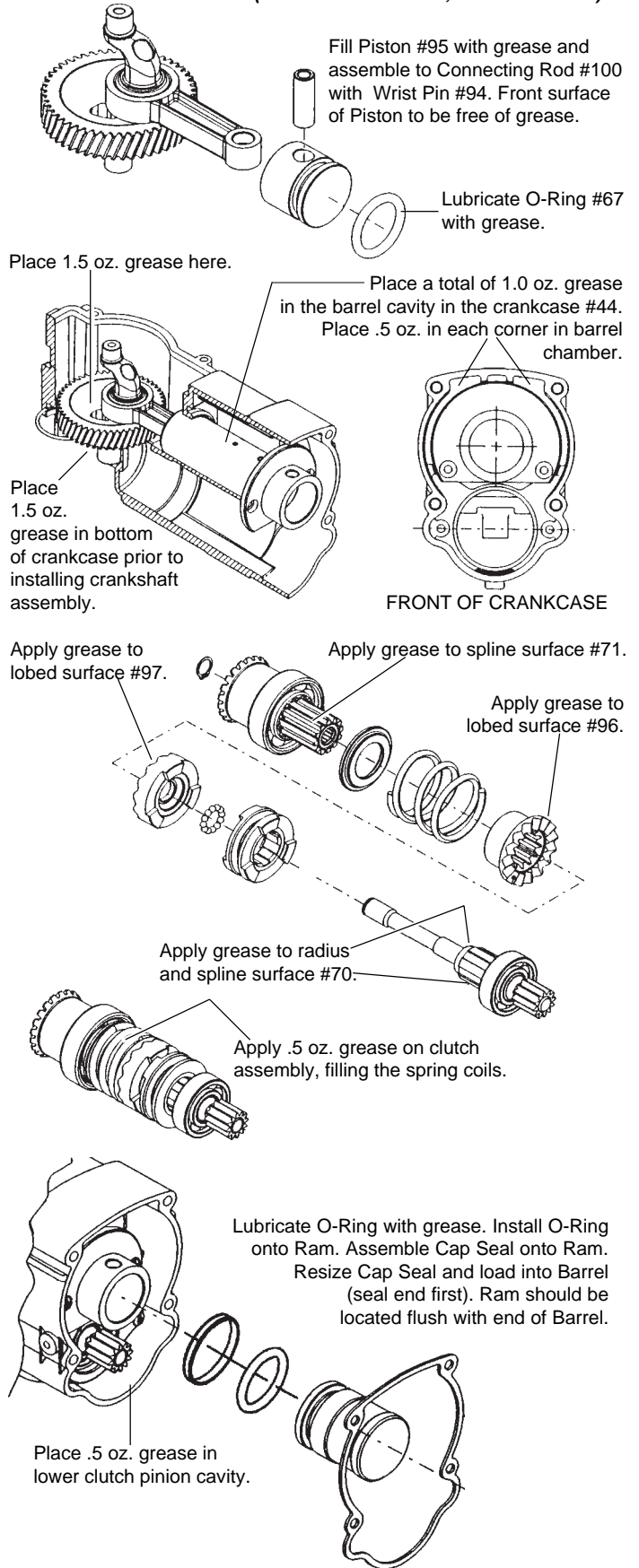
SEE BACK PAGE OF THIS BULLETIN FOR ADDITIONAL LUBRICATION AND SERVICE NOTES

FIG.	PART NO.	DESCRIPTION OF PART	NO. REQ.
1	02-02-0120	1/8" Steel Ball	(12)
3	31-86-0100	Spacer	(1)
5	02-04-0911	Ball Bearing	(1)
6	02-04-1510	Ball Bearing	(1)
8	02-04-2000	Ball Bearing	(1)
9	02-50-2470	Needle Bearing	(3)
10	02-50-4020	Needle Bearing	(1)
11	02-50-9000	Needle Bearing	(1)
12	02-50-9985	Needle Bearing	(1)
14	05-81-0830	M6 x 1.0 x 70 Pan Hd. Screw T-27	(4)
18	06-65-1660	Dowel Pin	(1)
22	06-82-8842	8-32 x 3/8" Pan Hd. Sl. Taptite T-20	(1)
23	06-95-6280	M4 x 0.7 x 14 Pan Hd. Sl. Taptite T-20	(4)
28	34-60-2580	External Retaining Ring	(1)
35	34-80-5100	Internal Retaining Ring	(1)
38	40-50-8870	Compression Spring	(1)
43	30-89-0010	Bearing Retainer	(1)
44	28-14-2297	Crankcase	(1)
45	28-20-1325	Crankcase Cover	(1)
46	28-50-8680	Intermediate Housing	(1)
48	28-12-0110	Nose Flange	(1)
49	31-12-0270 ●	Cap-Cover	(1)
57	32-05-2250	Bevel Gear	(1)
58	34-40-0045 ●	Cap Seal	(1)
60	34-40-0046 ●	O-Ring	(1)
61	34-40-1375	O-Ring	(1)
63	34-40-4310 ●	Rubber Damping Washer	(1)
64	34-40-4320 ●	Seal-Cover	(1)
65	42-76-0710	Chuck Collar	(1)
66	34-40-4350 ●	O-Ring	(1)
67	34-40-4470 ●	O-Ring	(1)
68	34-60-0700	Retaining Ring	(1)
69	34-80-5090	Retaining Ring-Beveled	(1)
70	36-14-0790	Clutch Shaft	(1)
71	36-14-0770	Hollow Clutch Shaft	(1)
72	14-09-0140	Crankshaft Assembly	(1)
★ 73	38-50-6145	Spindle	(1)
74	42-76-0715	Collar	(1)
75	40-50-8575	Compression Spring	(1)
76	43-34-0765	Spring Flange	(1)
78	40-50-8590	Belleville Spring	(4)
81	42-98-0300	Barrel	(1)
83	43-34-0740	Spring Flange	(1)
84	43-44-0970 ●	Gasket	(1)
91	43-96-0220	Key	(2)
94	44-60-1710	Wrist Pin	(1)
95	44-62-0220	Piston	(1)
96	44-66-6030	Splined Clutch Plate	(1)
97	44-66-6045	Fixed Clutch Plate	(1)
98	44-82-0225	Ram	(1)
99	44-90-4400	Shift Ring	(1)
100	44-94-0395	Connecting Rod Assembly	(1)
102	44-86-0610	Key Retaining Ring	(1)
103	44-90-0005	Seal Retaining Ring	(1)
104	45-56-2620	Striker	(1)
105	06-82-8872	DG50 x 16mm Torx Pan Head Screw	(4)
106	45-06-0555	Dust Seal	(1)
107	45-88-8520	Thrust Washer	(2)
108	45-88-8530	Barrel Thrust Washer	(1)
109	45-88-8535	Striker Cushion Washer	(1)
111	45-06-0670	Oil Seal	(1)
112	45-06-0680 ●	Felt Seal	(1)
113	45-88-8730	Wave Washer	(1)
116	42-16-0125	Side Handle Band	(1)
117	14-34-0516	Side Handle Assembly	(1)
118	14-34-0551	Depth Rod Mount Assembly	(1)
119	44-94-0165	Depth Gauge Rod	(1)
120	44-86-0620	Band Retainer	(1)
121	31-44-2000	Side Handle Housing	(1)

NOTE: Check the clutch torque. Clutch must slip at 35 to 45 ft.lbs. at the spindle, checked clockwise as viewed from the front of the tool.

▲ SEE BACK PAGE OF THIS BULLETIN FOR ADDITIONAL LUBRICATION AND SERVICE NOTES

LUBRICATION NOTES: (TYPE "S2" GREASE, NO. 49-08-5265)



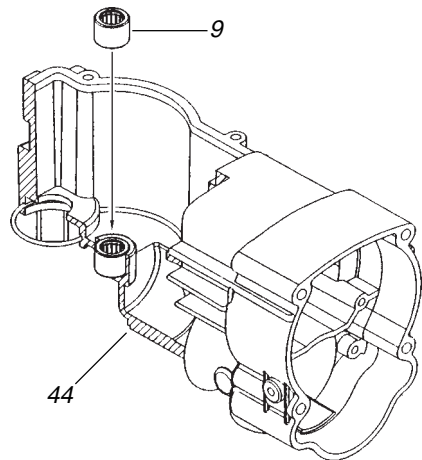
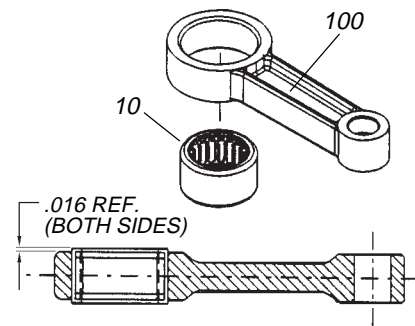
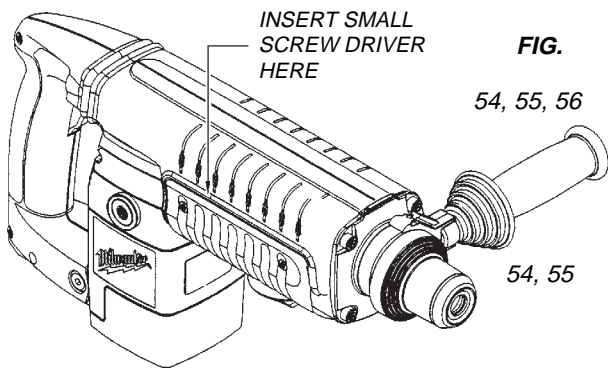


FIG. ▲ NOTES

- 54, 55, 56 TO REMOVE BELLY SHROUD #56 FROM TOOL, INSERT SMALL SCREW DRIVER INTO GROOVE BETWEEN BELLY AND SIDE SHROUDS #54 AND #55, ABOUT 1/3 OF THE WAY FROM THE MOTOR END, AS SHOWN. PRY OUT AND DOWN ON BOTH SIDES OF THE TOOL.
- 54, 55 TO INSTALL THE SIDE SHROUDS #54 AND #55, THE TOP HINGE OF THE SHROUDS MUST BE COMPLETELY INTERLOCKED, THEN THE BACK SIDE ROTATED CLOSED AROUND THE TOOL.
- 73 LUBRICATE ALL BORES IN SPINDLE #73 WITH A MEDIUM COATING OF GREASE.
- 63, 108, 109 LUBRICATE RUBBER DAMPING WASHER #63, BARREL THRUST WASHER #108 AND STRIKER CUSHION WASHER #109 WITH A MEDIUM COATING OF GREASE BEFORE ASSEMBLY.
- 10, 100 PRESS NEEDLE BEARING #10 IN ROD #100 SO THAT THE SAME AMOUNT STICKS OUT ON BOTH SIDES OF THE ROD, AS SHOWN.
- 9, 71 PRESS (2) NEEDLE BEARINGS #9 INTO HOLLOW CLUTCH SHAFT #71, FLUSH WITH THE ENDS OF THE SHAFT.
- 11, 12, 46 PRESS NEEDLE BEARING #11 FLUSH TO THE INSIDE SURFACE OF THE INTERMEDIATE HOUSING #46, AGAINST THE SNAP RING. PRESS NEEDLE BEARING #12 FLUSH TO THE OUTSIDE MACHINED SURFACE OF THE INTERMEDIATE HOUSING.
- 9, 44 PRESS NEEDLE BEARING #9 INTO CRANKCASE #44, FLUSH WITH TOP OF BORE, AS SHOWN.
- 81 LIGHTLY GREASE INSIDE OF BARREL #81 BEFORE ASSEMBLY.
- 14, 19, 20, 23 FASTENERS #14, #19, #20 AND #23 ARE TO BE RE-ASSEMBLED USING BLUE LOCTITE.
- 60, 61, 62, 66, 67 LUBRICATE O-RINGS #60, #61, #62, #66 AND #67 WITH GREASE.
- 69 INSTALL BEVEL SNAP RING #69 WITH BEVEL SIDE UP.
- 4, 50, 80 PLACE BEARING CUP #80 ON SMALL ARMATURE BEARING #4 BEFORE INSTALLING MOTOR COVER #50.
- 41 BRUSH SPRINGS #41 ARE TO BE WOUND 1/2 TURN TO ENGAGE BRUSHES.
- 4 RUBBER SEAL SIDE OF BALL BEARING #4 TO FACE FAN.
- 95, 98 FACES OF PISTON #95 AND RAM #98 ARE TO BE FREE OF GREASE.
- 105 WHEN REASSEMBLING BARREL AND CLUTCH SCREWS INTO EXISTING CRANKCASE, MAKE SURE SCREW IS STARTED IN EXISTING THREAD. DO NOT CREATE TWO SETS OF THREADS IN ONE HOLE.