

SERVICE PARTS LIST

BULLETIN NO.
54-24-0214

SPECIFY CATALOG NO. AND SERIAL NO. WHEN ORDERING PARTS		REVISED BULLETIN	DATE
1-1/4" ROTARY HAMMER		54-24-0213	Feb '88
CATALOG NO. 5343	STARTING SERIAL NO. 687-40404	WIRING INSTRUCTION 58-01-0734	

EXAMPLE:

Component Parts (Small #) Are Included
 When Ordering The Assembly (Large #).

FIG.	PART NO.	DESCRIPTION OF PART	NO.REQ.	FIG.	PART NO.	DESCRIPTION OF PART	NO. REQ.
1	22-64-0121	Cord Set	(1)	69	02-50-9976	Needle Bearing	(1)
2	44-76-0050	Cord Protector	(1)	70	45-88-0900	Thrust Washer	(2)
3	31-17-0180	Cord Clamp	(1)	71	40-50-7850	Belleville Spring	(2)
4	05-78-0571	M4.55 x 1.59 x 19 Pan Hd. Screw	(2)	72	02-50-6455	Needle Bearing	(1)
5	31-44-1210	Right Handle Half	(1)	73	45-06-0250	Seal	(1)
6	05-78-0570	M4.55 x 1.59 x 16 Pan Hd. Screw	(2)	74	45-88-5175	Felt Washer	(1)
7	05-81-0650	M5 x .8 x 25 Pan Hd. Screw	(3)	75	06-75-0353	5/16 -18 x 3.5 Hex Hd. Bolt	(1)
8	23-66-1230	Switch	(1)	76	34-80-2006	Internal Retaining Ring	(1)
9	31-92-0230	Trigger	(1)	77	36-14-0700	Clutch Shaft	(1)
10	06-97-1800	No. 6 Int. Tooth Lockwasher	(4)	78	36-14-0711	Splined Clutch	(1)
11	31-44-1200	Left Handle Half	(1)	79	40-50-3250	Clutch Spring	(1)
12	05-55-0610	M5 x .8 Hex Nut	(3)	80	14-08-0125	Splined Clutch Assembly	(1)
13	05-78-0665	M5 x .8 x 20 Pan Hd. Screw	(2)	81	02-04-1510	Ball Bearing	(1)
14	12-99-0013	Nameplate Blank	(1)	82	34-80-2355	Internal Retaining Ring	(1)
15	06-85-0200	Nameplate Screw	(2)	83	32-60-2150	Pinion	(1)
16	05-78-0415	M4 x .7 x 10 Sems Ground Screw	(1)	84	43-44-0670	Gasket	(1)
17	28-14-1552	Crankcase Assembly	(1)	85	05-74-0615	M6 x 1.0 x 20 Socket Hd. Cap Screw	(4)
18	-----	Bearing Cap	(1)	86	44-20-0221	Bit Lock	(1)
19	05-78-0460	M4 x .7 x 16 Pan Hd. Screw	(2)	87	05-78-0440	M4 x .7 x 10 Pan Hd. Screw	(4)
20	31-15-0250	Brush Cover	(2)	88	28-20-1295	Bit Lock Cover	(1)
21	05-78-0440	M4 x .7 x 10 Pan Hd. Screw	(2)	89	06-65-1315	Dowel Pin	(1)
22	02-04-1203	Ball Bearing	(1)	90	40-50-3275	Bit Retainer Spring	(2)
23	22-22-0650	Brush Carrier Assembly	(1)	91	42-76-0380	Dust Collar	(1)
24	05-78-0340	M3.63 x 1.34 x 10 Pan Hd. Screw	(2)	92	43-62-0961	Side Handle Assembly	(1)
25	-----	Carbon Brush (Refer to Brush Service Kit)	(2)	93	43-62-0865	Side Handle Assembly	(1)
26	23-52-1550	Brush Spring	(2)	94	42-68-0390	Depth Gage Clamp	(2)
27	05-78-0405	M4 x .7 x 10 Pan Hd. Screw	(2)	95	44-94-0165	Depth Gage Rod	(1)
28	06-57-3005	10-32 Locking Hex Nut	(2)	96	06-65-0631	Groove Pin	(1)
29	31-50-0400	Motor Housing	(1)	97	28-82-0160	Handle Ring Half	(2)
30	05-74-0515	M5 x .8 x 20 Socket Hd. Sems	(4)		10-98-5986	Warning Label	(1)
31	18-50-0150	120 Volt Field	(1)		10-98-6330	Product Label H.D. 1-1/4"	(1)
32	06-81-7470	10-32 x 1-7/8 Pan Hd. Sems	(2)		10-98-6340	Product Label U.S. 1	(1)
33	16-50-0150	120 Volt Armature	(1)				
34	34-60-0950	Retaining Ring	(1)				
35	22-84-0710	Fan	(1)				
36	02-04-0850	Ball Bearing	(1)				
37	45-88-0577	Wave Washer	(1)				
38	31-15-0270	Motor Housing Cover	(1)				
39	05-78-0570	M4.55 x 1.59 x 16 Pan Hd. Screw	(4)				
40	31-75-0020	Cover Screw	(1)				
41	28-20-1250	Crank Case Cover	(1)				
42	05-78-0460	M4 x .7 x 10 Pan Hd. Screw	(6)				
43	43-44-0650	Gasket	(1)				
44	05-78-0440	M4 x .7 x 10 Pan Hd. Screw	(1)				
45	45-88-0920	Flat Washer - Spring Steel	(1)				
46	02-04-0850	Ball Bearing	(1)				
47	32-05-1250	Bevel Gear	(1)				
48	02-04-1022	Ball Bearing	(1)				
49	14-09-0105	Crank Assembly	(1)				
50	02-50-1645	Needle Bearing	(1)				
51	44-60-0790	Piston Pin Assembly	(1)				
52	42-42-0240	Button	(2)				
53	44-62-0150	Piston	(1)				
54	45-06-0290	Quad Ring Seal	(1)				
55	34-40-4090	O-Ring	(1)				
56	44-82-0101	Ram	(1)				
57	42-98-0162	Barrel	(1)				
58	05-78-0435	M4 x .7 x 13 Flat Hd. Taptite Screw	(2)				
59	44-90-0561	Damping Ring - Urethane	(1)				
60	45-88-7851	Thrust Washer - Steel	(1)				
61	45-88-8015	Cushion Washer	(1)				
62	34-40-4085	O-Ring	(1)				
63	45-88-8020	Cushion Washer	(1)				
64	45-56-2551	Striker	(1)				
65	34-40-4095	O-Ring	(1)				
66	34-40-4100	O-Ring	(1)				
67	38-50-5531	Spindle	(1)				
68	28-12-0315	Nose Assembly	(1)				

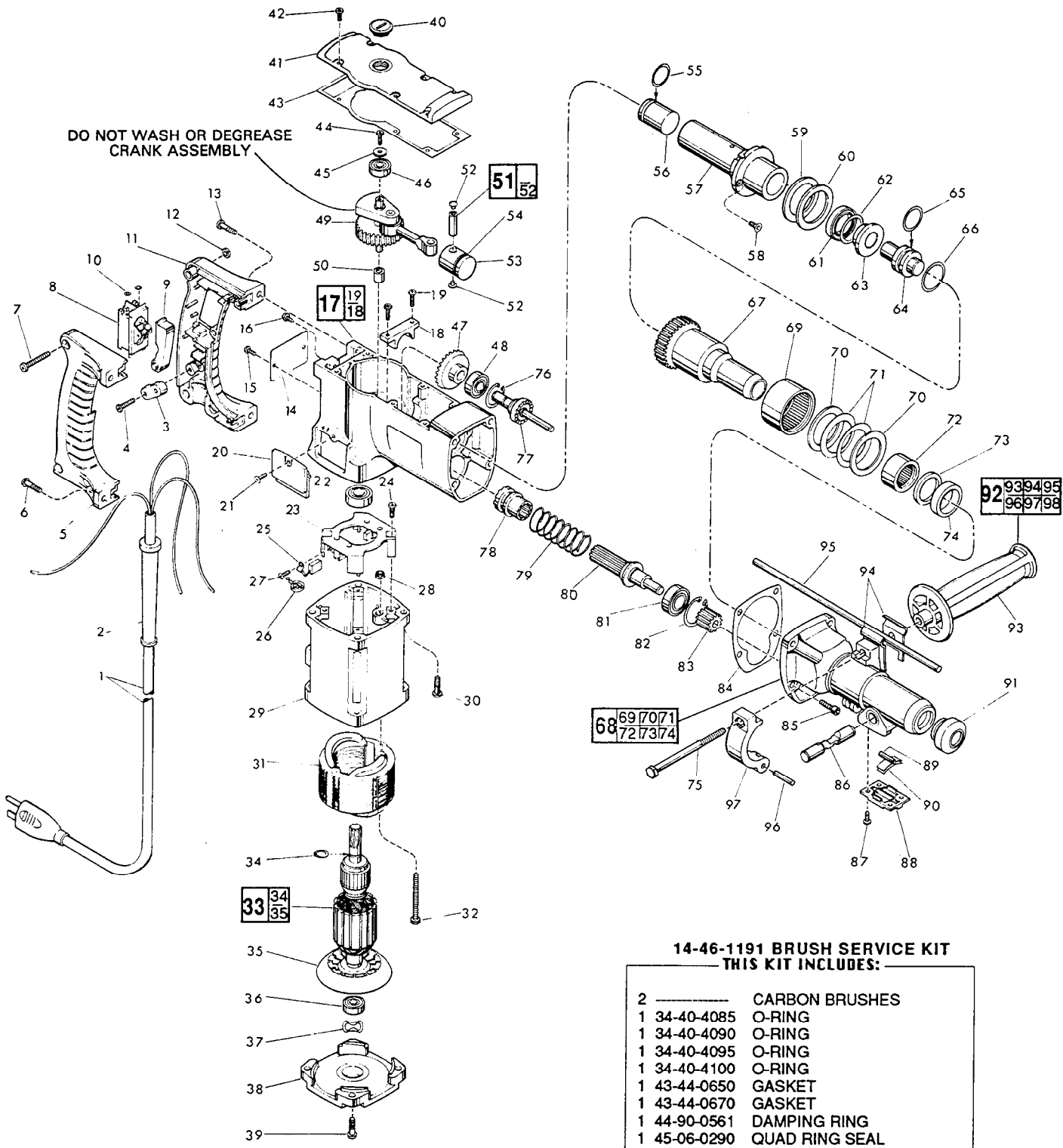
FIG. NOTES:

- 19 Apply Type 242 Blue Loctite
- 50 Press Flush to Casting Surface Inside Crankcase Area
- 58 Apply Type 242 Blue Loctite
- 85 Apply Type 242 Blue Loctite and Torque to 130-140 In. Lb.
- 87 Apply type 242 Blue Loctite

FIG. LUBRICATION

- ★ 49 2-3/4 Oz. Type "F" Grease, No. 49-08-4160
- ★ 80 1-3/4 Oz. Type "F" Grease, No. 49-08-4160
- ★ 83 1 Oz. Type "F" Grease, No. 49-08-4160

Grease All Rubber Parts When Assembling



DO NOT WASH OR DEGREASE
CRANK ASSEMBLY

68 69 70 71
72 73 74

92 93 94 95
96 97 98

14-46-1191 BRUSH SERVICE KIT
THIS KIT INCLUDES:

- | | | |
|---|------------|---------------------------|
| 2 | ----- | CARBON BRUSHES |
| 1 | 34-40-4085 | O-RING |
| 1 | 34-40-4090 | O-RING |
| 1 | 34-40-4095 | O-RING |
| 1 | 34-40-4100 | O-RING |
| 1 | 43-44-0650 | GASKET |
| 1 | 43-44-0670 | GASKET |
| 1 | 44-90-0561 | DAMPING RING |
| 1 | 45-06-0290 | QUAD RING SEAL |
| 1 | 49-08-4160 | 5-1/2 OZ. TUBE "F" GREASE |

Note: TOOL TO BE RUN AT NO-LOAD
FOR 10 MINUTES WHENEVER NEW
BRUSHES ARE INSTALLED.