

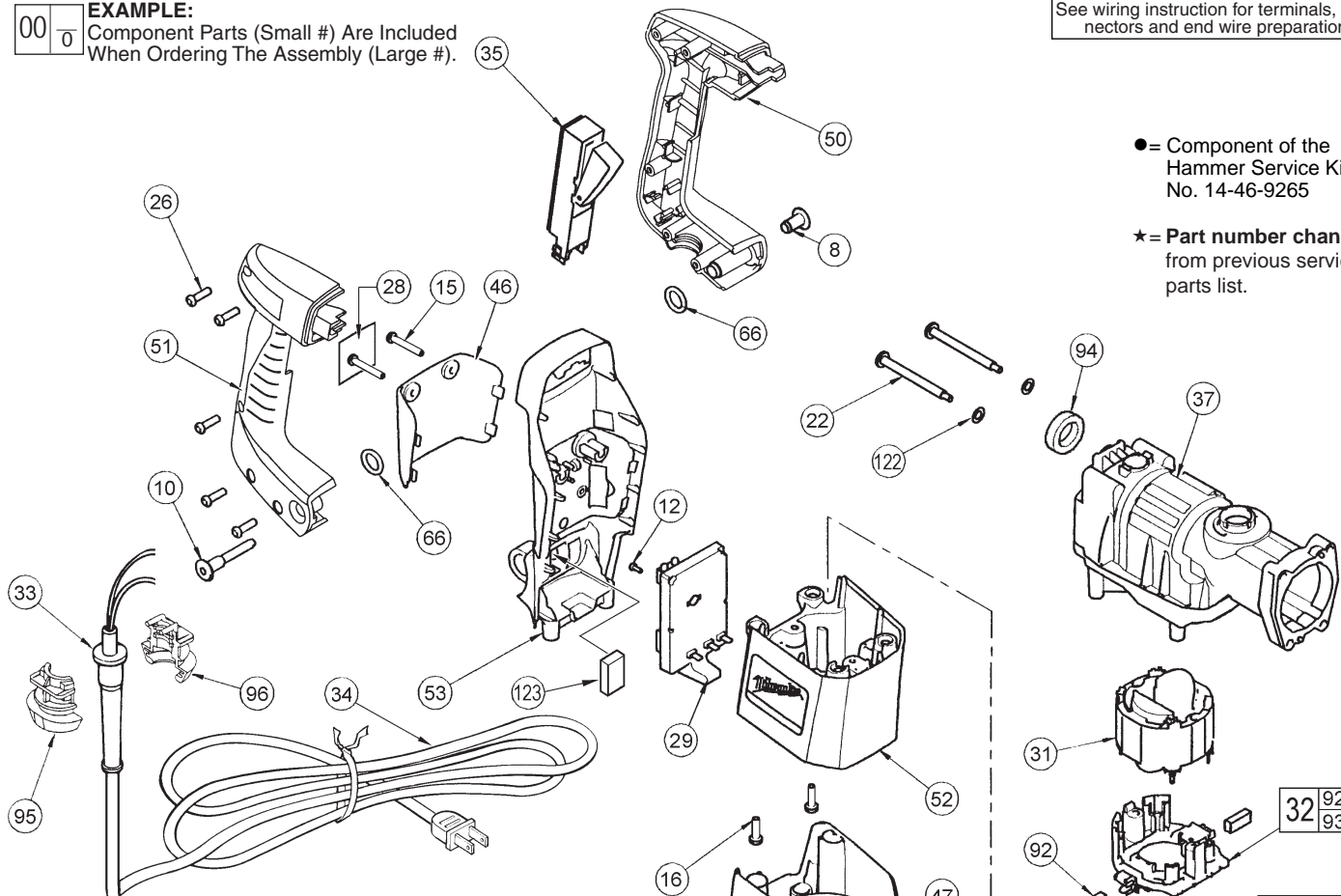


# SERVICE PARTS LIST

SPECIFY CATALOG NO. AND SERIAL NO. WHEN ORDERING PARTS	
<b>1-1/2" (40mm) ROTARY HAMMER</b>	
CATALOG NO. <b>5318-21</b>	STARTING SERIAL NO. <b>886B</b>

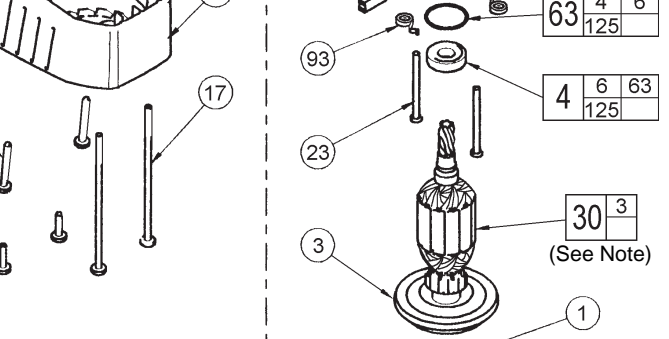
REVISED BULLETIN 54-24-5075	DATE Feb. 2007
WIRING INSTRUCTION <b>58-01-0034</b>	
See wiring instruction for terminals, connectors and end wire preparation	

**EXAMPLE:**  
 Component Parts (Small #) Are Included  
 When Ordering The Assembly (Large #).



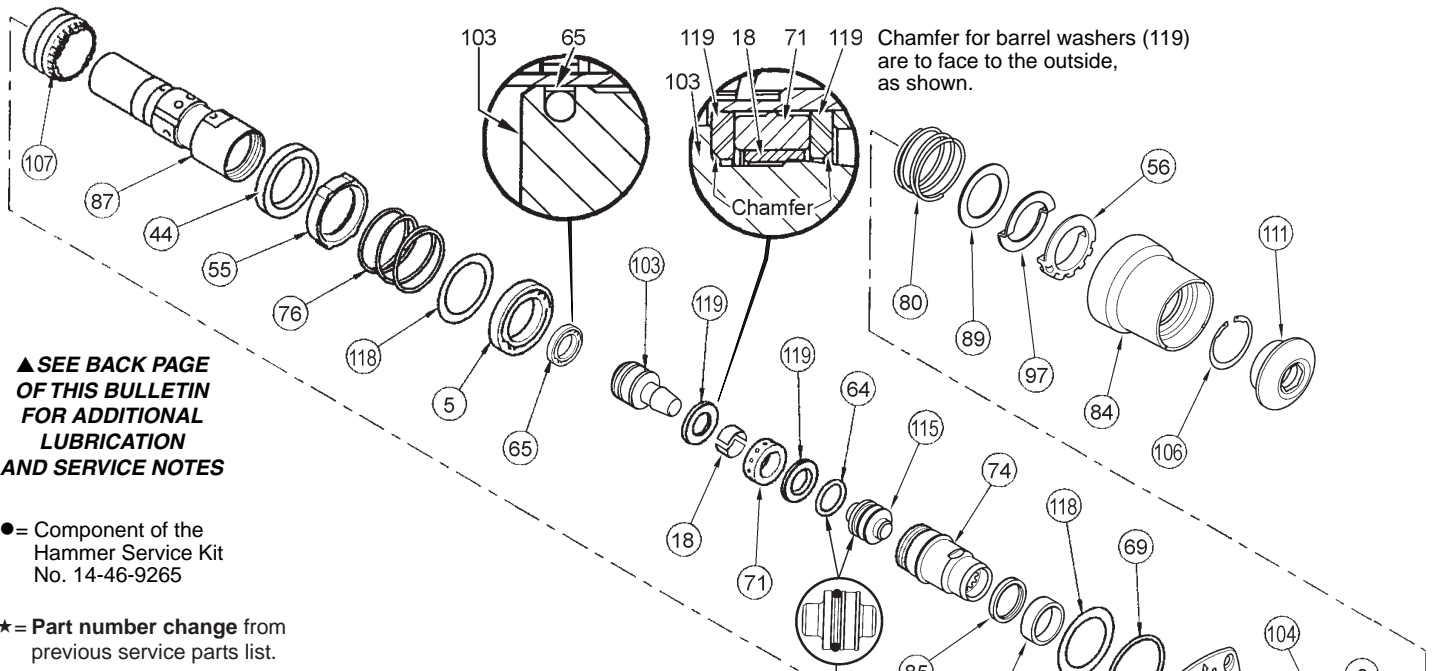
● = Component of the Hammer Service Kit No. 14-46-9265  
 ★ = Part number change from previous service parts list.

FIG.	PART NO.	DESCRIPTION OF PART	NO. REQ.
1	02-04-0845	Ball Bearing	(1)
3	22-84-0875	Fan	(1)
4	14-46-0040	Vent Kit	(1)
8	05-59-0100	Pivot Nut	(1)
10	05-77-0100	Pivot Bolt	(1)
12	05-88-5910	K35 x 8mm Pan Hd. Plastite Screw	(1)
13	05-88-5930	K60 x 20mm Pan Hd. Plastite Screw	(2)
14	05-88-5940	K60 x 40mm Pan Hd. Plastite Screw	(2)
15	05-88-9920	K50 x 30mm Pan Hd. PT-DG Screw	(2)
16	05-88-9930	K60 x 18mm Pan Hd. PT-DG Screw	(2)
17	05-88-9940	K60 x 120mm Pan Hd. PT-DG Screw	(2)
22	06-81-1805	Pan Hd. Cap Screw	(2)
23	06-82-7375	Slotted Plastite Torx Screw T-20	(2)
26	06-95-6290	K50 x 18mm Pan Hd. Plastite Screw	(5)
28	12-20-5315	Service Nameplate Kit	(1)
29	14-20-0850	Electronics Assembly	(1)
30	16-30-0641	Armature Kit (See Service Note)	(1)
31	18-30-1040	Field	(1)
32	22-22-1530	Brush Card Assembly	(1)
33	44-76-0210	Cord Protector	(1)
34	22-64-0145	Cord Set	(1)
35	23-66-2195	Switch	(1)
37	28-14-2543	Crankcase Assembly	(1)
46	31-15-0623	Module Cover	(1)
47	31-15-2053	Motor Cover	(1)
50	31-44-2231	Left Handle Half	(1)
51	31-44-2241	Right Handle Half	(1)
52	31-50-5101	Motor Housing	(1)
53	31-55-0281	Rear Shroud	(1)
63	14-46-0040	Vent Kit	(1)
66	34-40-4490	O-Ring	(2)
86	42-96-0125	● Bearing Cup	(1)



**Armature Service Note:**  
 When servicing the armature, use Armature Kit No. 16-30-0641.  
 If the tool has a spacer in the armature bearing bore of the gearcase, remove the spacer and install O-Ring No. 34-40-4215 into the empty groove. The O-Ring is provided in the kit.

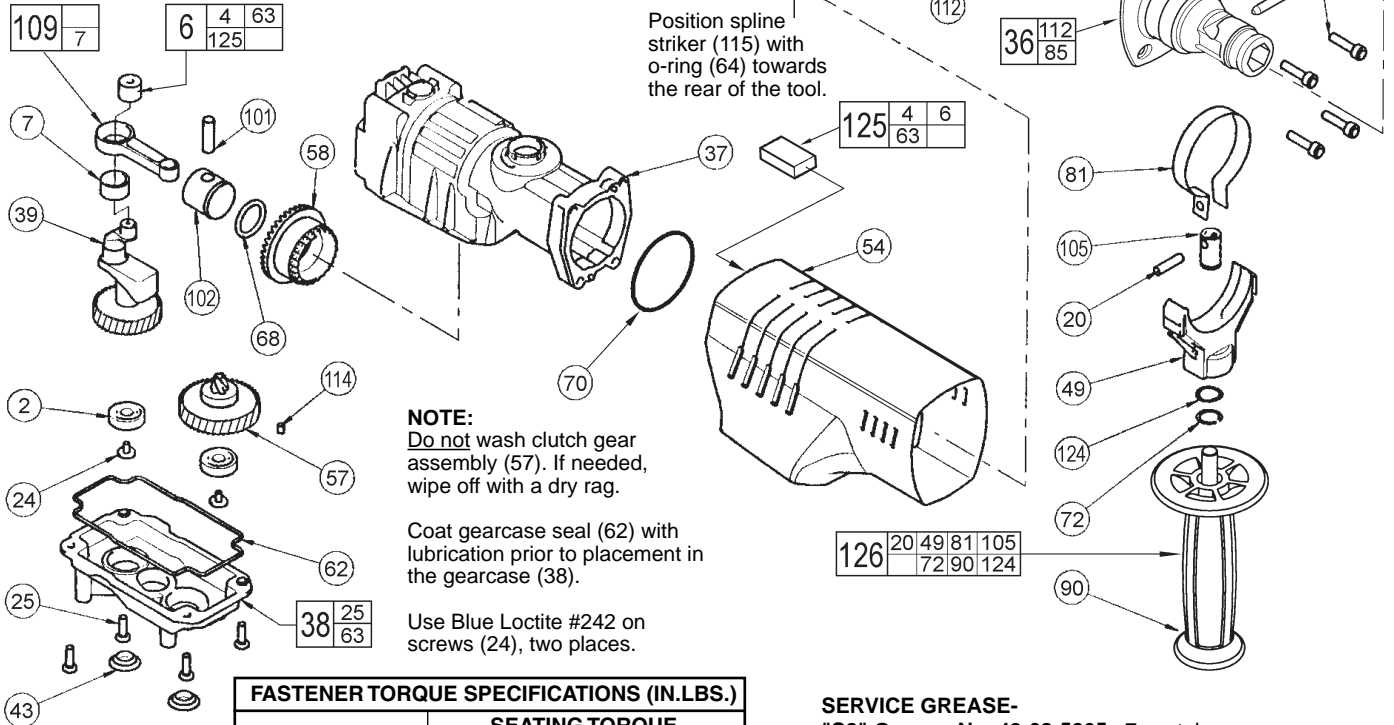
FIG.	PART NO.	DESCRIPTION OF PART	NO. REQ.
92	22-18-1355	● Carbon Brush Kit (Includes 2 Brushes)	(1)
93	40-50-2220	Brush Spring	(2)
94	44-34-0300	Rubber Handle Mount	(1)
95	31-17-0270	Cord Clamp	(1)
96	31-17-0260	Cord Clamp	(1)
122	45-88-8555	Rubber Washer	(2)
123	45-06-0535	Handle Seal	(1)



▲ SEE BACK PAGE OF THIS BULLETIN FOR ADDITIONAL LUBRICATION AND SERVICE NOTES

● = Component of the Hammer Service Kit No. 14-46-9265

★ = Part number change from previous service parts list.



**NOTE:**  
Do not wash clutch gear assembly (57). If needed, wipe off with a dry rag.

Coat gearcase seal (62) with lubrication prior to placement in the gearcase (38).

Use Blue Loctite #242 on screws (24), two places.

FASTENER TORQUE SPECIFICATIONS (IN.LBS.)		
FIG. NO.	SEATING TORQUE	
	MINIMUM	MAXIMUM
9	120	140
10	20	25
12	4	8
13	20	25
14	20	25
15	20	25
16	50	55
17	30	35
22	30	35
23	15	20
24	20	25
25	50	55
26	15	20
74	130 FT. LBS.	200 FT. LBS.
87	130 FT. LBS.	200 FT. LBS.
Switch Screws	4	6

**SERVICE GREASE-**

● "S2" Grease, No. 49-08-5265 7 oz. tube

● 14-46-9265 HAMMER SERVICE KIT

THIS KIT CONTAINS:

- |   |            |                        |
|---|------------|------------------------|
| 2 | 31-12-0040 | Cap Plug               |
| 1 | 34-40-0240 | Gearcase Seal          |
| 1 | 34-40-4350 | O-Ring                 |
| 1 | 34-40-4477 | Cap Seal               |
| 1 | 34-40-4215 | O-Ring                 |
| 1 | 34-40-4510 | O-Ring                 |
| 1 | 34-40-4530 | O-Ring                 |
| 1 | 34-40-4570 | Damping Washer         |
| 1 | 42-96-0125 | Bearing Cup            |
| 2 | 45-22-0680 | Split Sleeve           |
| 1 | 22-18-1355 | Carbon Brush Kit       |
| 1 | 49-08-5265 | "S2" Grease, 7oz. Tube |

● 22-18-1355 CARBON BRUSH SERVICE KIT

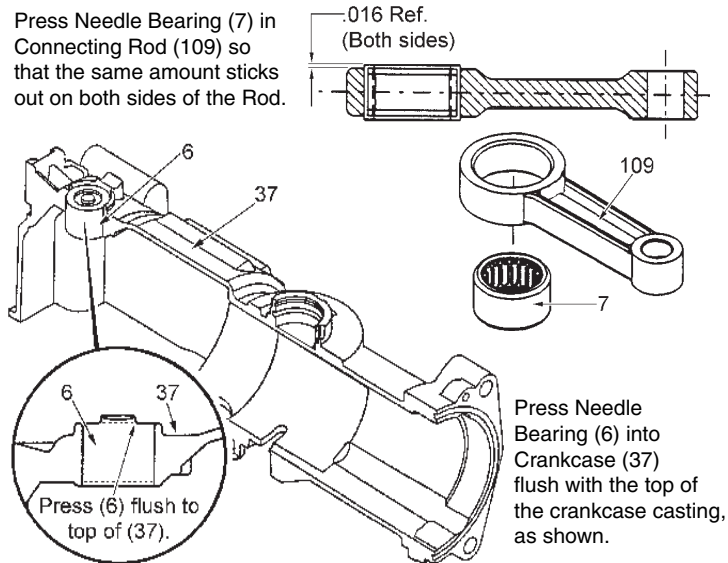
THIS KIT CONTAINS:

- |   |       |              |
|---|-------|--------------|
| 2 | ----- | Carbon Brush |
|---|-------|--------------|

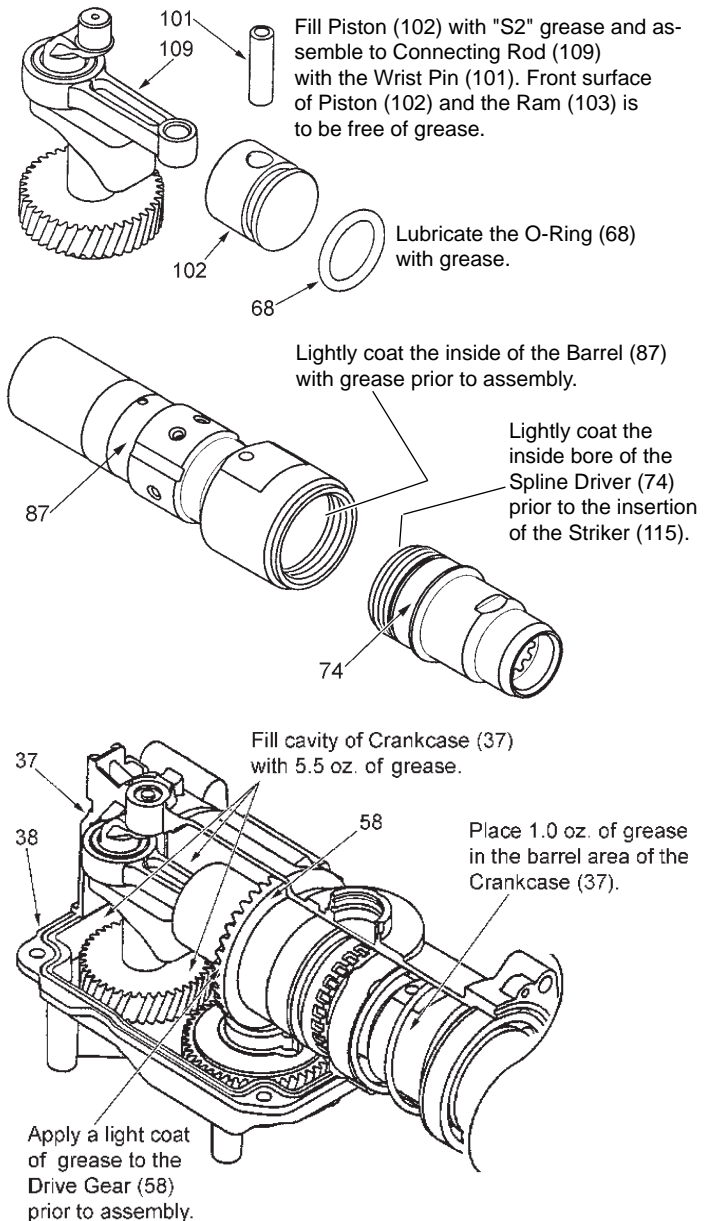
FIG.	PART NO.	DESCRIPTION OF PART	NO. REQ.
2	02-04-0911	Ball Bearing	(2)
5	02-08-0640	Ball Bearing	(1)
6	14-46-0040	Vent Kit	(1)
7	02-50-4020	Needle Bearing	(1)
9	05-74-0625	M6 Socket Head Cap Screw	(4)
18	45-22-0680	● Sleeve	(2)
20	06-65-1660	Dowel Pin	(1)
24	06-82-8842	Slotted Taptite Torx Screw	(2)
25	05-88-9910	K50 x 22mm PT-DG Screw	(4)
36	14-46-1980	Spline Nose Kit	(1)
37	28-14-2543	Crankcase Assembly	(1)
38	14-46-2565	Gearcase Service Kit	(1)
39	14-09-0160	Crankshaft Assembly	(1)
43	31-12-0040	● 5/8 Cap Plug	(2)
44	31-58-0160	Lock Ring Spacer	(1)
49	31-44-2010	Side Handle Housing	(1)
54	31-55-0311	Main Shroud	(1)
55	31-58-0150	Locking Ring	(1)
56	31-86-0225	Spacer	(1)
★ 57	14-08-0210	Clutch Gear Assembly	(1)
58	32-30-0060	Drive Gear	(1)
62	34-40-0240	● Gearcase Seal	(1)
★ 64	34-40-4350	● O-Ring	(1)
★ 65	34-40-4477	● Cap Seal	(1)
68	34-40-4510	● O-Ring	(1)
69	34-40-4520	O-Ring	(1)
70	34-40-4530	● O-Ring	(1)
71	34-40-4570	● Damping Washer	(1)
72	34-60-2580	External Retaining Ring	(1)
74	38-50-6300	Spline Driver	(1)
76	40-50-0380	Compression Spring	(1)
80	40-50-0360	Compression Spring	(1)
81	42-16-0155	Side Handle Band	(1)
84	42-76-0740	Chuck Collar	(1)
85	45-06-0560	Oil Seal	(1)
87	42-98-0260	Barrel	(1)
89	45-88-1380	Bitlock Washer	(1)
90	43-62-0843	Side Handle Assembly	(1)
97	45-88-1070	Stepped Washer	(1)
101	44-60-1710	Wrist Pin	(1)
102	44-62-0230	Piston	(1)
103	44-82-0220	Ram	(1)
104	44-60-1640	Bitlock Pin	(1)
105	44-86-0620	Band Retainer	(1)
106	34-60-2590	Retaining Ring	(1)
107	44-90-0175	Shift Ring	(1)
109	44-94-0395	Connecting Rod Assembly	(1)
111	45-06-0040	Dust Seal	(1)
112	45-88-5176	Felt Seal	(1)
114	45-30-0060	Retaining Slug	(1)
115	45-56-2570	Spline Striker	(1)
118	45-88-1565	Washer	(2)
119	45-88-4005	Barrel Washer	(2)
124	45-88-8730	Wave Washer	(1)
125	14-46-0040	Vent Kit	(1)
★ 126	14-34-0585	Side Handle Assembly Kit	(1)

**NOTE:** Check the clutch torque. Clutch must slip at 40 to 50 ft.lbs. at the spindle, checked clockwise as viewed from the front of the tool.

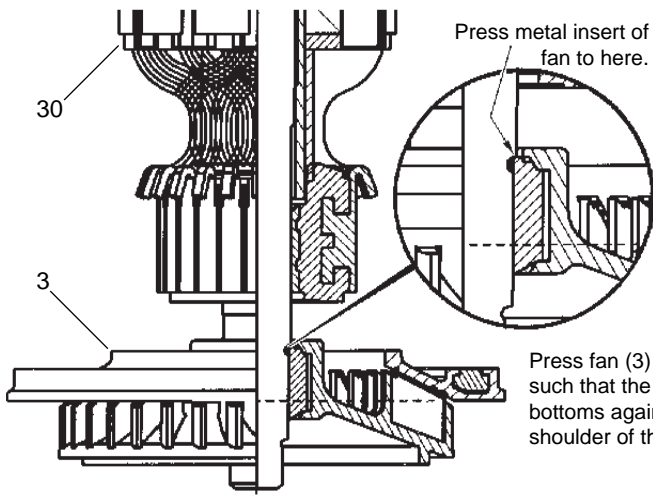
**▲ SEE BACK PAGE OF THIS BULLETIN FOR ADDITIONAL LUBRICATION AND SERVICE NOTES**



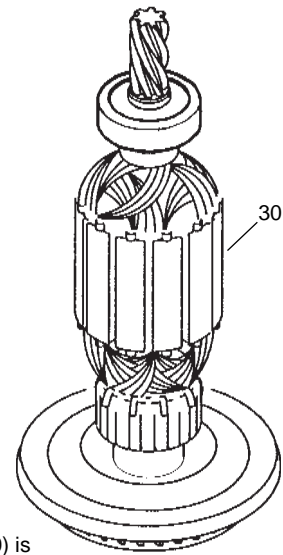
**LUBRICATION NOTES: (TYPE "S2" GREASE, NO. 49-08-5265)**



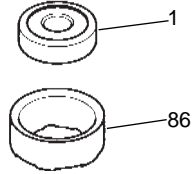
Prior to assembly, apply a light coat of grease to the Gearcase Seal (62) and O-Rings (63, 64, 67, 68 and 70).



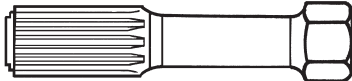
Press fan (3) onto armature (30) such that the metal insert of the fan bottoms against the fan journal shoulder of the armature shaft.



After the armature assembly (30) is installed into the tool, the bearing cup (86) is to be placed on the rear armature bearing (1), (already pressed onto the armature shaft), prior to assembling the motor cover (47) to the tool.



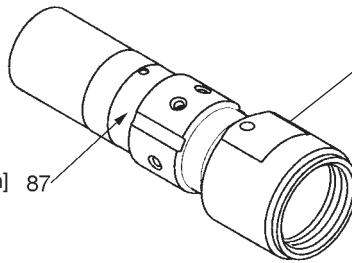
**NOTE:** Do not dislodge the bearing cup from the bearing during assembly.



61-10-2065 Spline Shank



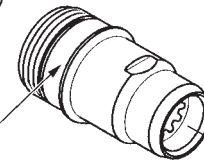
3/4" [19mm] Hex



**Barrel**

when tightened in a vise, **extra care** should be taken not allowing the barrel to turn and mar or burr it's finished cylindrical surface.

no loctite® is required on threads of spline driver or barrel.



**Spline Driver**

torque to 130-160 ft-lbs. [176-217 Newton-meters]

**BARREL / SPLINE DRIVER SERVICING-**

To aid in the servicing of the Barrel and Spline Driver of the 5318-21 Spline Drive Rotary Hammer, a Service Tool No. 61-10-2065 has been developed [see illustrations].

- clamp the flats of the Barrel in a vise.
- use a 3/4" [19mm] socket on the hex of Service Tool to either remove [turning counter-clockwise] or install [turning clockwise] the Spline Driver.

**SERVICE NOTE:**

**SLIP CLUTCH VALUES**

When servicing this Spline Drive Rotary Hammer, the static torque required to slip the clutch mechanism should be checked. It must not exceed the maximum value shown below:

- block armature from rotating.
- using service tool and ft-lb [newton-meter] torque wrench with 3/4" [19mm] socket, check the static torque required to slip the Spline Driver / Clutch Mechanism of the Rotary Hammer.
- **the torque for the 5318-21 should be 40-50 ft-lb. [52-68 Nm].**