



SERVICE PARTS LIST

SPECIFY CATALOG NO. AND SERIAL NO. WHEN ORDERING PARTS		REVISED BULLETIN	DATE
1-1/2" (40mm) ROTARY HAMMER			Feb. 2007
CATALOG NO. 5318-21	STARTING SERIAL NO. 886A	WIRING INSTRUCTION 58-01-0034	

EXAMPLE:
 Component Parts (Small #) Are Included
 When Ordering The Assembly (Large #).

● = Component of the
 Hammer Service Kit
 No. 14-46-9265

**▲ SEE BACK PAGE OF THIS
 BULLETIN FOR ADDITIONAL
 LUBRICATION AND
 SERVICE NOTES**

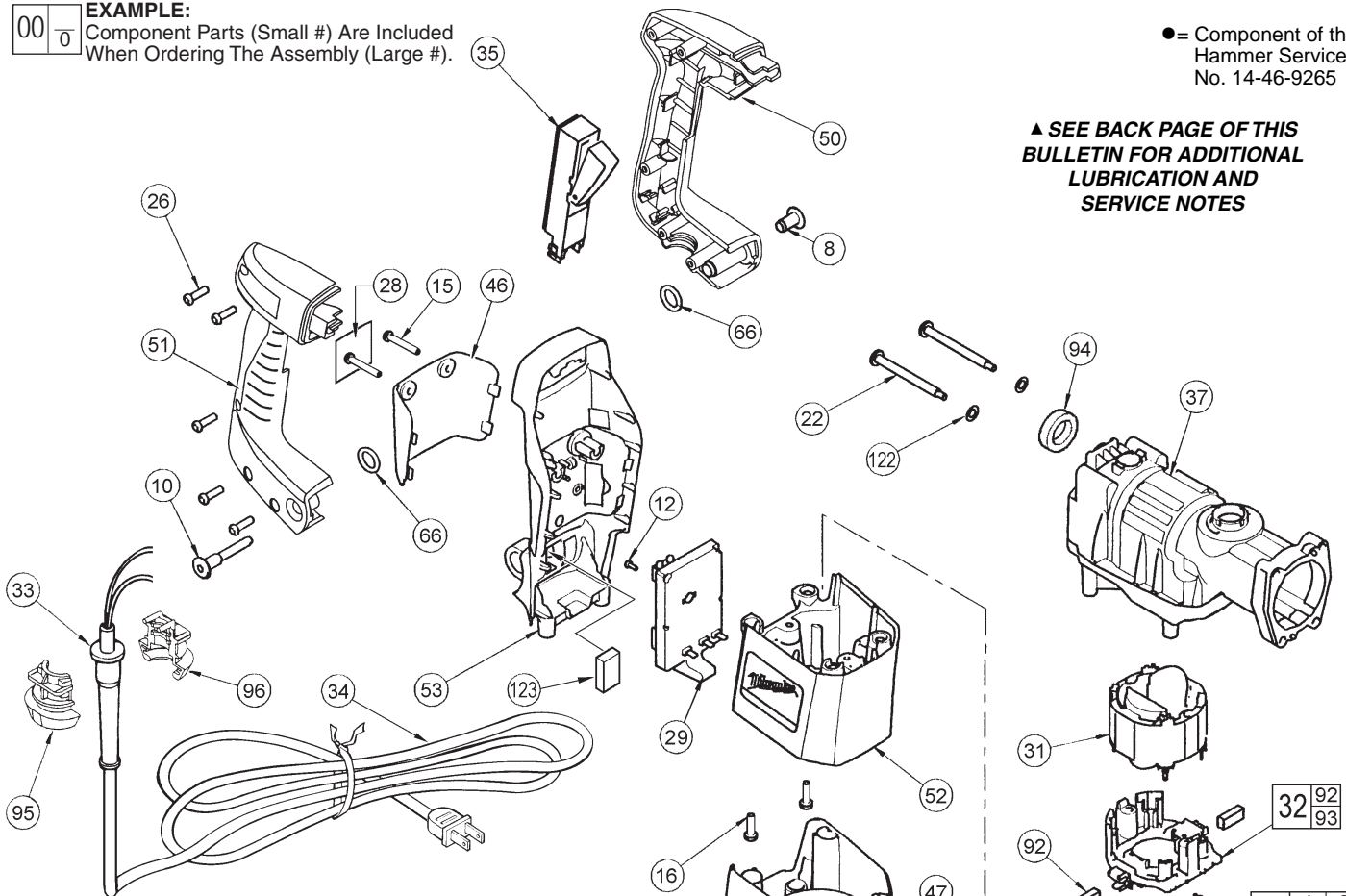
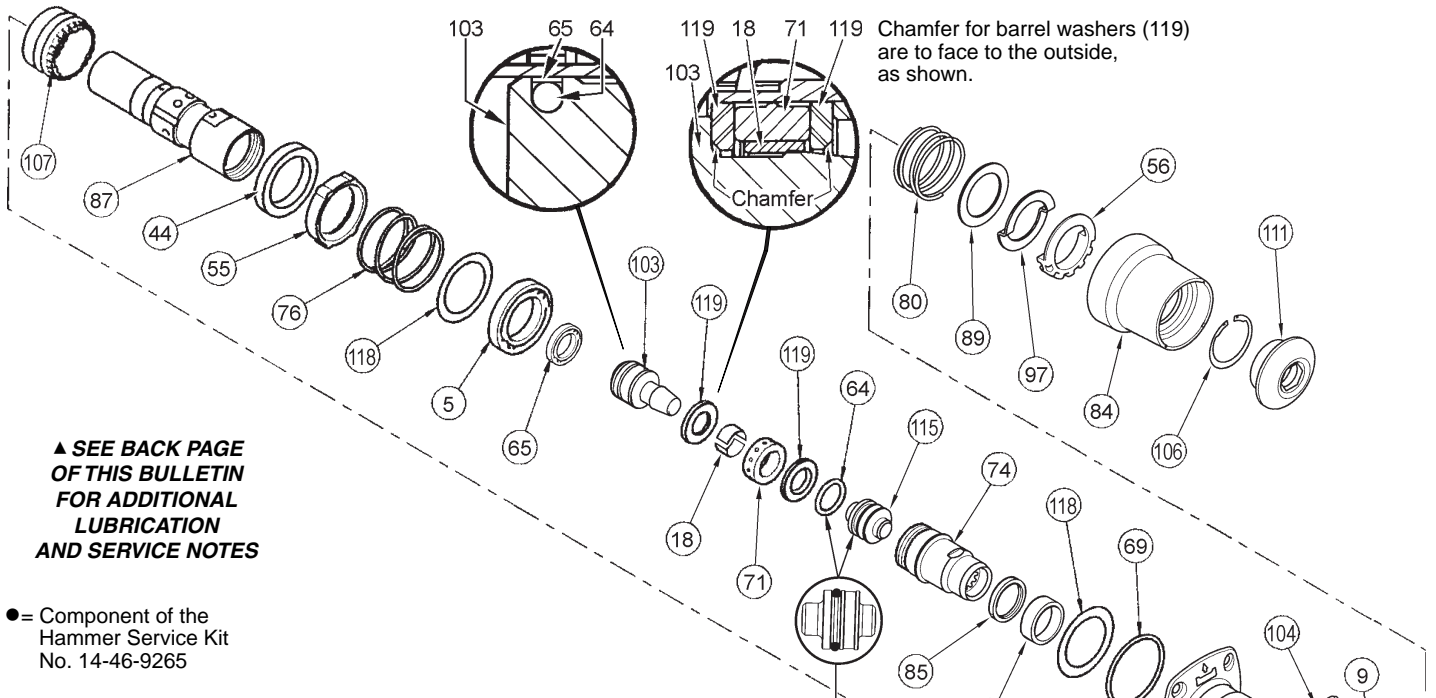


FIG.	PART NO.	DESCRIPTION OF PART	NO. REQ.
	1	02-04-0845 Ball Bearing	(1)
	3	22-84-0875 Fan	(1)
	4	14-46-0040 Vent Kit	(1)
	8	05-59-0100 Pivot Nut	(1)
	10	05-77-0100 Pivot Bolt	(1)
	12	05-88-5910 K35 x 8mm Pan Hd. Plastite Screw	(1)
	13	05-88-5930 K60 x 20mm Pan Hd. Plastite Screw	(2)
	14	05-88-5940 K60 x 40mm Pan Hd. Plastite Screw	(2)
	15	05-88-9920 K50 x 30mm Pan Hd. PT-DG Screw	(2)
	16	05-88-9930 K60 x 18mm Pan Hd. PT-DG Screw	(2)
	17	05-88-9940 K60 x 120mm Pan Hd. PT-DG Screw	(2)
	22	06-81-1805 Pan Hd. Cap Screw	(2)
	23	06-82-7375 Slotted Plastite Torx Screw T-20	(2)
	26	06-95-6290 K50 x 18mm Pan Hd. Plastite Screw	(5)
	28	12-20-5315 Service Nameplate Kit	(1)
	29	14-20-0850 Electronics Assembly	(1)
	30	16-30-0641 Armature Kit (See Service Note)	(1)
	31	18-30-1040 Field	(1)
	32	22-22-1530 Brush Card Assembly	(1)
	33	44-76-0210 Cord Protector	(1)
	34	22-64-0145 Cord Set	(1)
	35	23-66-2195 Switch	(1)
	37	28-14-2543 Crankcase Assembly	(1)
	46	31-15-0623 Module Cover	(1)
	47	31-15-2053 Motor Cover	(1)
	50	31-44-2231 Left Handle Half	(1)
	51	31-44-2241 Right Handle Half	(1)
	52	31-50-5101 Motor Housing	(1)
	53	31-55-0281 Rear Shroud	(1)
	63	14-46-0040 Vent Kit	(1)
	66	34-40-4490 O-Ring	(2)
	86	42-96-0125 ● Bearing Cup	(1)

Armature Service Note:

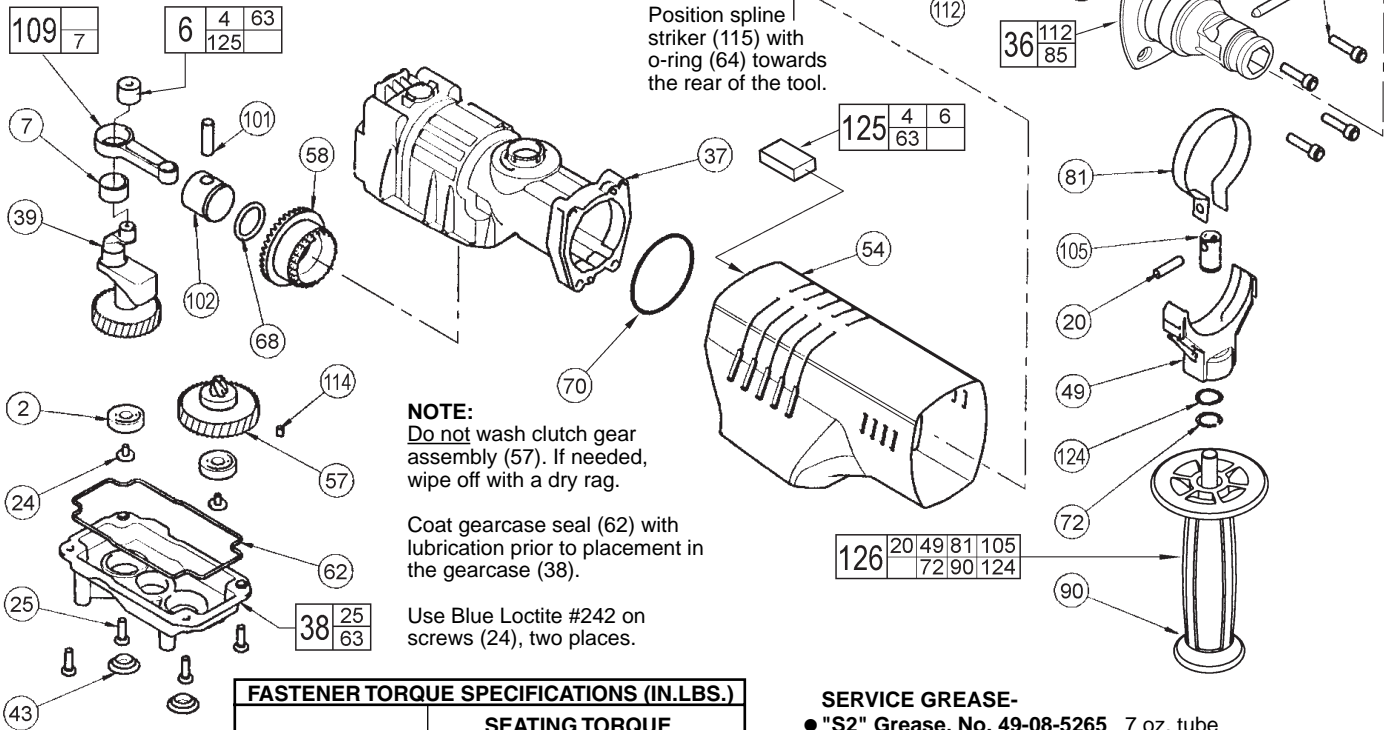
When servicing the armature, use Armature Kit No. 16-30-0641. If the tool has a spacer in the armature bearing bore of the gearcase, remove the spacer and install O-Ring No. 34-40-4215 into the empty groove. The O-Ring is provided in the kit.

FIG.	PART NO.	DESCRIPTION OF PART	NO. REQ.
	92	22-18-1355 ● Carbon Brush Kit (Includes 2 Brushes)	(1)
	93	40-50-2220 Brush Spring	(2)
	94	44-34-0300 Rubber Handle Mount	(1)
	95	31-17-0270 Cord Clamp	(1)
	96	31-17-0260 Cord Clamp	(1)
	122	45-88-8555 Rubber Washer	(2)
	123	45-06-0535 Handle Seal	(1)



▲ SEE BACK PAGE OF THIS BULLETIN FOR ADDITIONAL LUBRICATION AND SERVICE NOTES

● = Component of the Hammer Service Kit No. 14-46-9265



FASTENER TORQUE SPECIFICATIONS (IN.LBS.)		
FIG. NO.	SEATING TORQUE	
	MINIMUM	MAXIMUM
9	120	140
10	20	25
12	4	8
13	20	25
14	20	25
15	20	25
16	50	55
17	30	35
22	30	35
23	15	20
24	20	25
25	50	55
26	15	20
74	130 FT. LBS.	200 FT. LBS.
87	130 FT. LBS.	200 FT. LBS.
Switch Screws	4	6

SERVICE GREASE-

● "S2" Grease, No. 49-08-5265 7 oz. tube

● 14-46-9265 HAMMER SERVICE KIT

THIS KIT CONTAINS:

- | | | |
|---|------------|------------------------|
| 2 | 31-12-0040 | Cap Plug |
| 1 | 34-40-0240 | Gearcase Seal |
| 2 | 34-40-4350 | O-Ring |
| 1 | 34-40-4475 | Cap Seal |
| 1 | 34-40-4215 | O-Ring |
| 1 | 34-40-4510 | O-Ring |
| 1 | 34-40-4530 | O-Ring |
| 1 | 34-40-4570 | Damping Washer |
| 1 | 42-96-0125 | Bearing Cup |
| 2 | 45-22-0680 | Split Sleeve |
| 1 | 22-18-1355 | Carbon Brush Kit |
| 1 | 49-08-5265 | "S2" Grease, 7oz. Tube |

● 22-18-1355 CARBON BRUSH SERVICE KIT

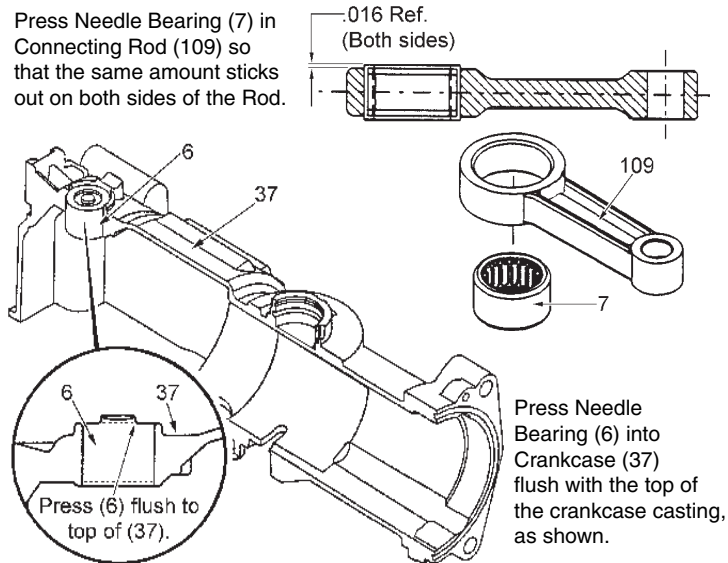
THIS KIT CONTAINS:

- | | | |
|---|-------|--------------|
| 2 | ----- | Carbon Brush |
|---|-------|--------------|

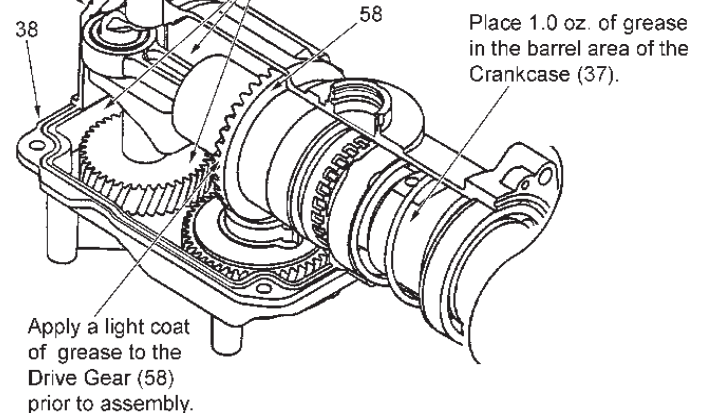
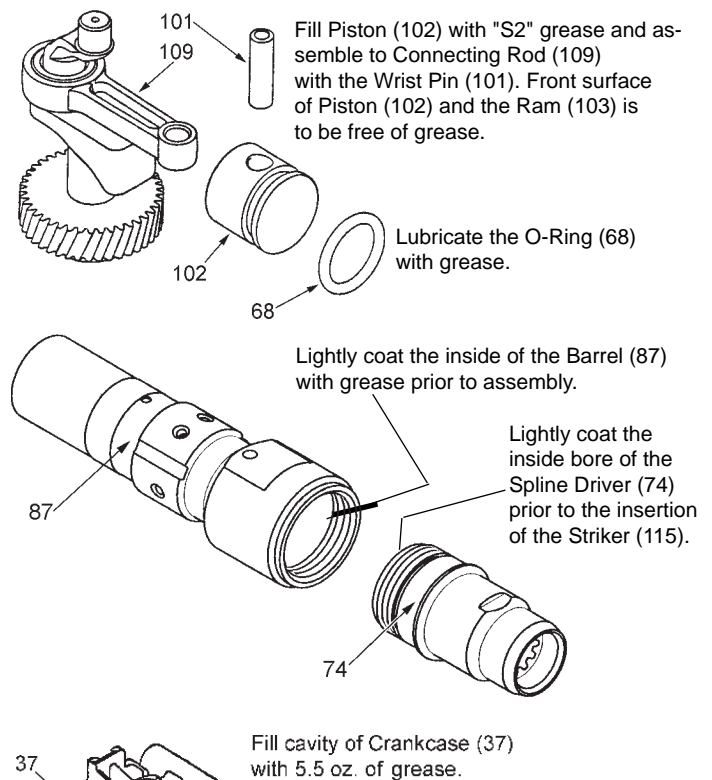
FIG.	PART NO.	DESCRIPTION OF PART	NO. REQ.
2	02-04-0911	Ball Bearing	(2)
5	02-08-0640	Ball Bearing	(1)
6	14-46-0040	Vent Kit	(1)
7	02-50-4020	Needle Bearing	(1)
9	05-74-0625	M6 Socket Head Cap Screw	(4)
18	45-22-0680	● Sleeve	(2)
20	06-65-1660	Dowel Pin	(1)
24	06-82-8842	Slotted Taptite Torx Screw	(2)
25	05-88-9910	K50 x 22mm PT-DG Screw	(4)
36	14-46-1980	Spline Nose Kit	(1)
37	28-14-2543	Crankcase Assembly	(1)
38	14-46-2565	Gearcase Service Kit	(1)
39	14-09-0160	Crankshaft Assembly	(1)
43	31-12-0040	● 5/8 Cap Plug	(2)
44	31-58-0160	Lock Ring Spacer	(1)
49	31-44-2010	Side Handle Housing	(1)
54	31-55-0311	Main Shroud	(1)
55	31-58-0150	Locking Ring	(1)
56	31-86-0225	Spacer	(1)
57	14-08-0200	Clutch Gear Assembly	(1)
58	32-30-0060	Drive Gear	(1)
62	34-40-0240	● Gearcase Seal	(1)
64	34-40-4350	● O-Ring	(2)
65	34-40-4475	● Capseal	(1)
68	34-40-4510	● O-Ring	(1)
69	34-40-4520	O-Ring	(1)
70	34-40-4530	● O-Ring	(1)
71	34-40-4570	● Damping Washer	(1)
72	34-60-2580	External Retaining Ring	(1)
74	38-50-6300	Spline Driver	(1)
76	40-50-0380	Compression Spring	(1)
80	40-50-0360	Compression Spring	(1)
81	42-16-0155	Side Handle Band	(1)
84	42-76-0740	Chuck Collar	(1)
85	45-06-0560	Oil Seal	(1)
87	42-98-0260	Barrel	(1)
89	45-88-1380	Bitlock Washer	(1)
90	43-62-0843	Side Handle Assembly	(1)
97	45-88-1070	Stepped Washer	(1)
101	44-60-1710	Wrist Pin	(1)
102	44-62-0230	Piston	(1)
103	44-82-0220	Ram	(1)
104	44-60-1640	Bitlock Pin	(1)
105	44-86-0620	Band Retainer	(1)
106	34-60-2590	Retaining Ring	(1)
107	44-90-0175	Shift Ring	(1)
109	44-94-0395	Connecting Rod Assembly	(1)
111	45-06-0040	Dust Seal	(1)
112	45-88-5176	Felt Seal	(1)
114	45-30-0060	Retaining Slug	(1)
115	45-56-2570	Spline Striker	(1)
118	45-88-1565	Washer	(2)
119	45-88-4005	Barrel Washer	(2)
124	45-88-8730	Wave Washer	(1)
125	14-46-0040	Vent Kit	(1)
126	14-34-0585	Side Handle Assy Kit	(1)

NOTE: Check the clutch torque. Clutch must slip at 40 to 50 ft.lbs. at the spindle, checked clockwise as viewed from the front of the tool.

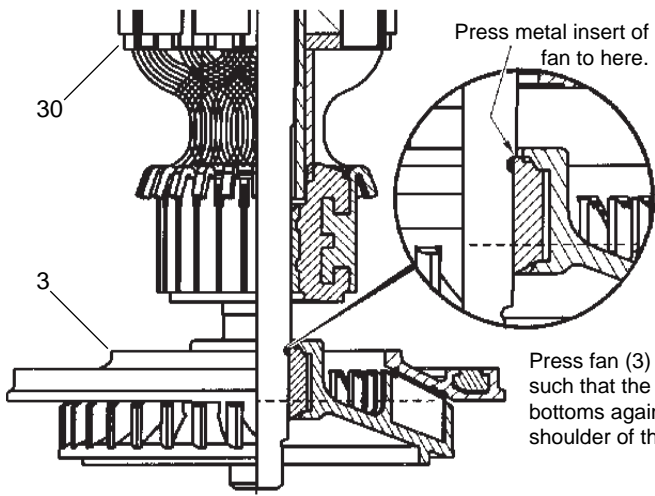
▲ SEE BACK PAGE OF THIS BULLETIN FOR ADDITIONAL LUBRICATION AND SERVICE NOTES



LUBRICATION NOTES: (TYPE "S2" GREASE, NO. 49-08-5265)

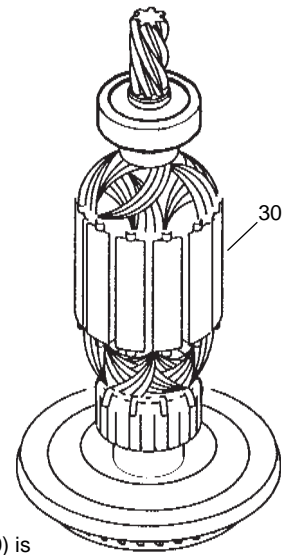


Prior to assembly, apply a light coat of grease to the Gearcase Seal (62) and O-Rings (63, 64, 67, 68 and 70).

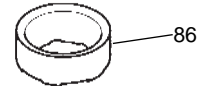
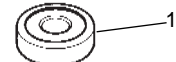


Press metal insert of fan to here.

Press fan (3) onto armature (30) such that the metal insert of the fan bottoms against the fan journal shoulder of the armature shaft.



After the armature assembly (30) is installed into the tool, the bearing cup (86) is to be placed on the rear armature bearing (1), (already pressed onto the armature shaft), prior to assembling the motor cover (47) to the tool.



NOTE: Do not dislodge the bearing cup from the bearing during assembly.