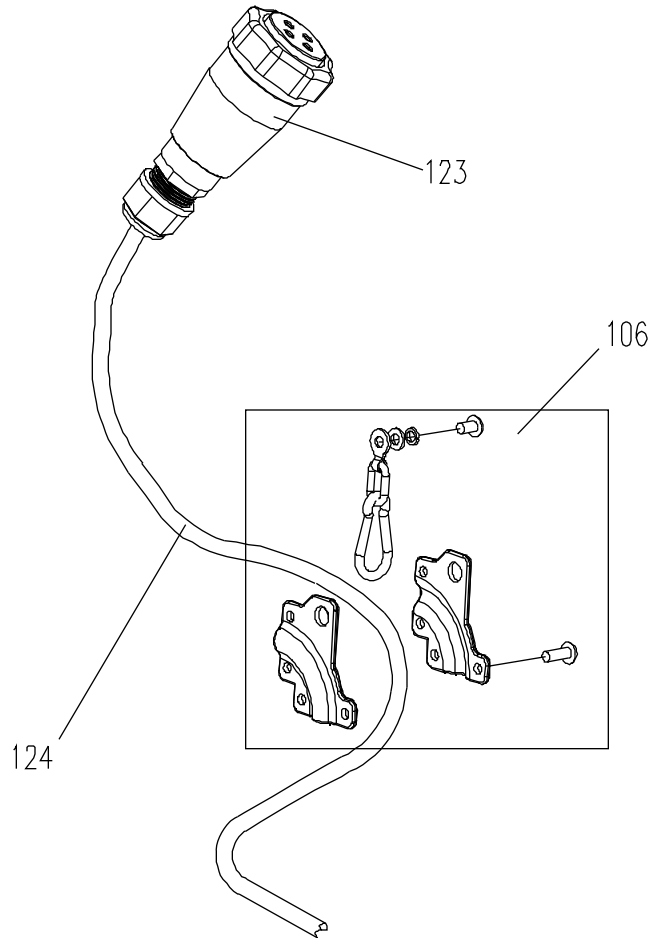


# Replacement Parts

Replacement parts are listed on the following pages. To order parts or reach our service department, call 1-800-274-6848 Monday through Friday (see our website for business hours, [www.jettools.com](http://www.jettools.com)). Having the Model Number and Serial Number of your machine available when you call will allow us to serve you quickly and accurately.

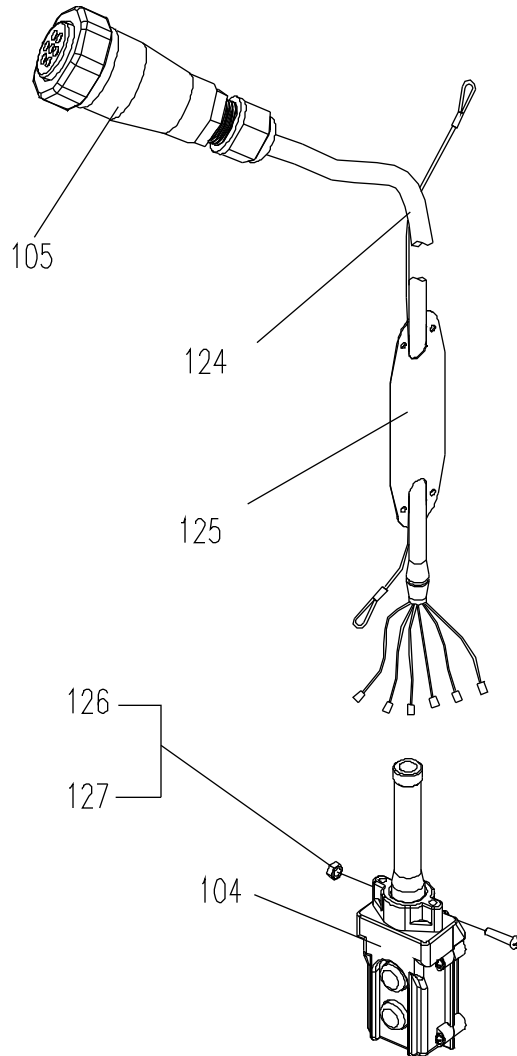
## Power Cord Assembly

Index No.	Part No.	Description	Size	Qty
106	1/2SS-3C-106	Cord Holder Assembly		1
123	1/2SS-3C-123UG	Male Plug	4P	1
124	1/2SS-1C-124	Power Cord for 1 Phase		1
	1/2SS-3C-124	Power Cord for 3 Phase		1

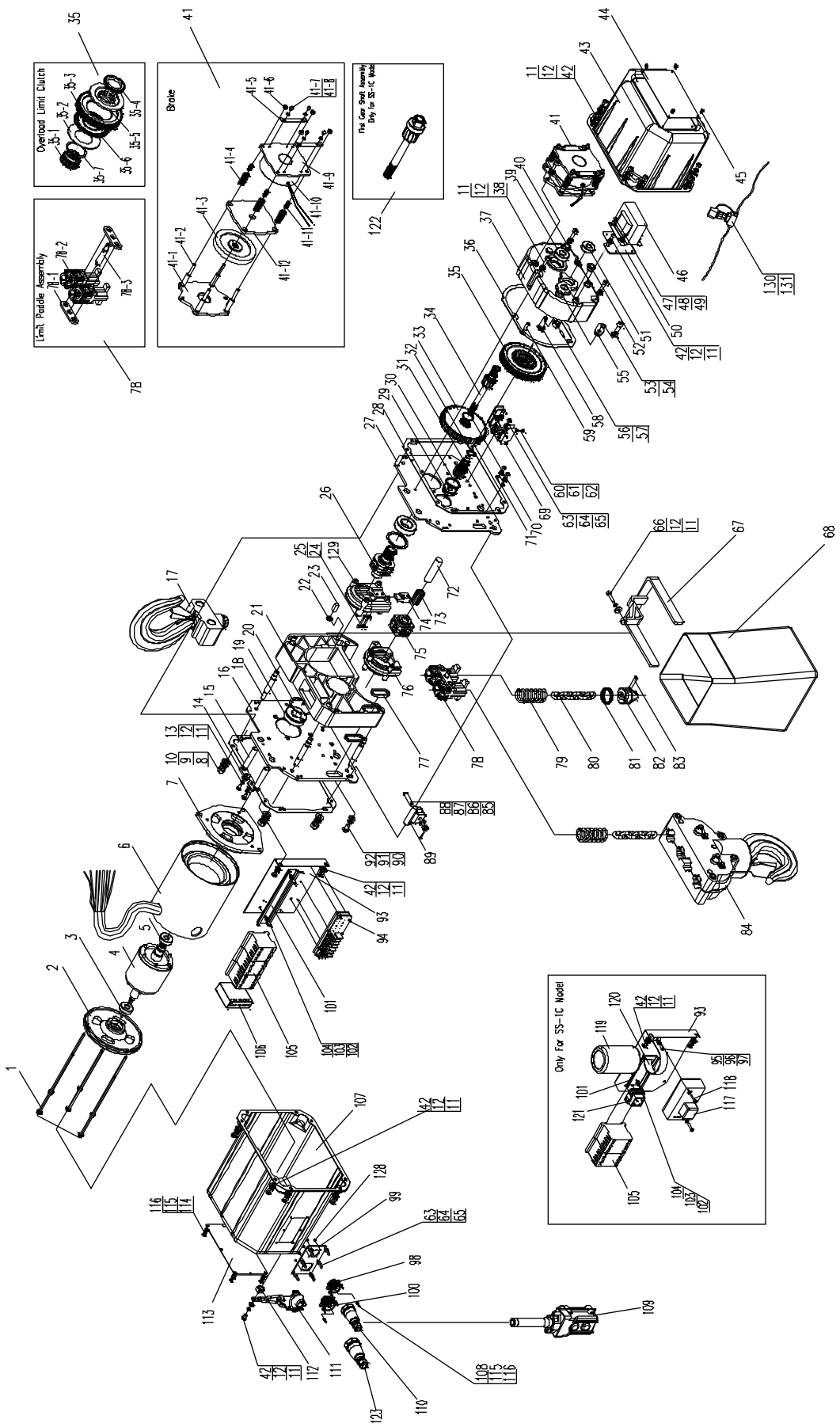


## Control Pendant Assembly

Index No.	Part No.	Description	Size	Qty
104	1/2SS-3C-104	Pushbutton Control (1 and 3 Phase, Single Speed)		1
	1/2DS-3C-104	Pushbutton Control (3 Phase, Dual Speed)		1
105	1/2SS-3C-105UG	Male Plug	7P	1
124	1/2SS-3C-124A	Pushbutton Cord		1
125	1/2SS-3C-125	Caution Tag		1
126	1/2SS-3C-126	Phillips Pan Head Machine Screw	M4x25	1
127	TS-1541001	Nylon Lock Hex Nut	M4	1



# 5-Ton Chain Hoist



## Parts List: 5-Ton Chain Hoist

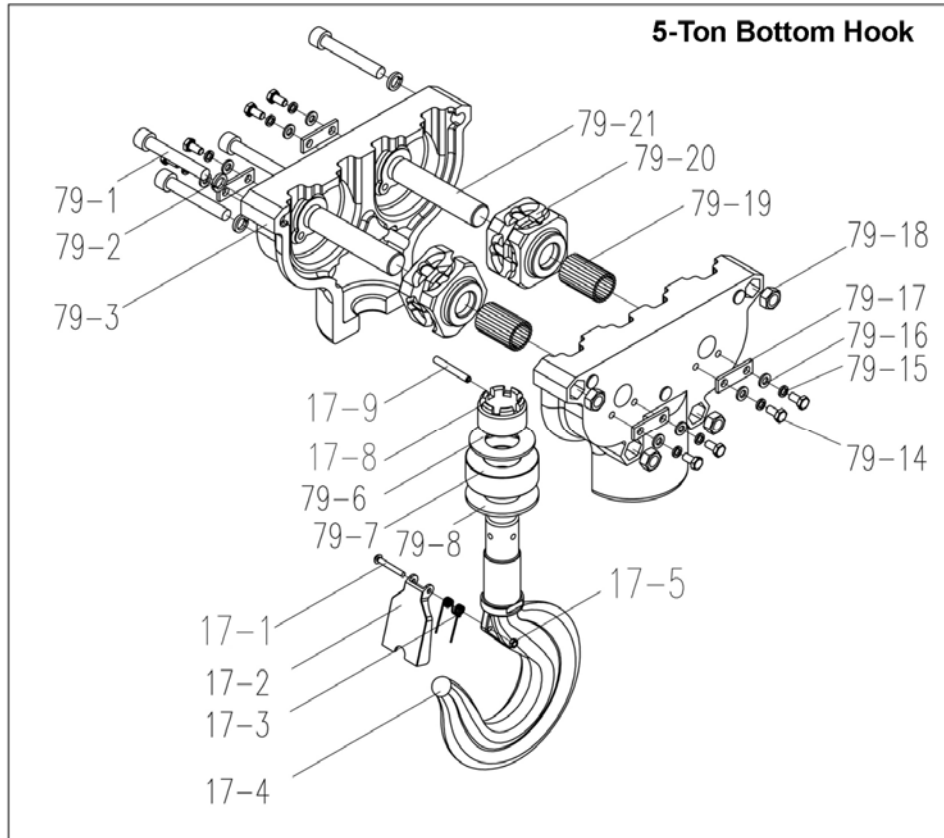
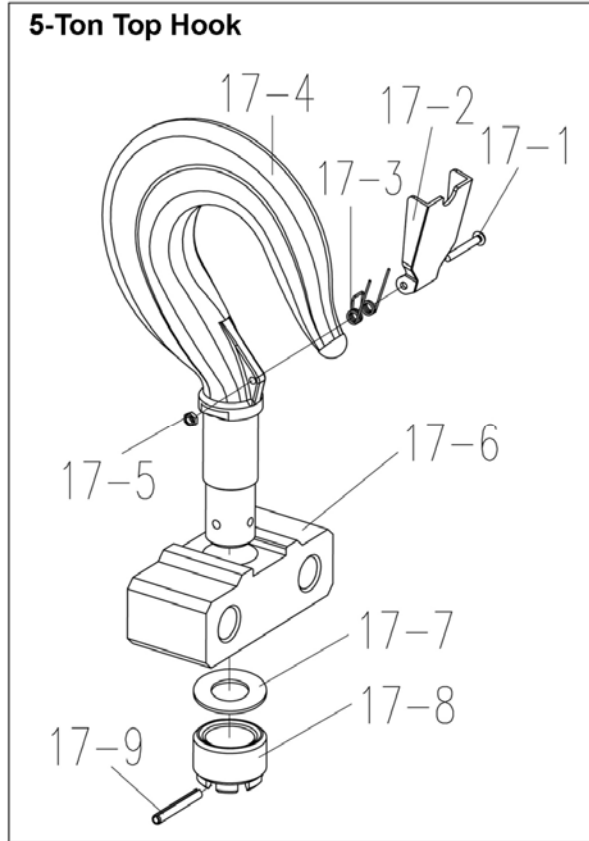
Index No.	Part No.	Description	Size	Qty
1	1SS-3C-001	Motor Stay Bolt		3
2	1SS-1C-002	Motor Bracket for 1 Phase		1
	1SS-3C-002	Motor Bracket for 3 Phase		1
3	1SS-3C-003	Ball Bearing	180203kz1	1
4	1SS-1C-004	Rotor Assembly for 1 Phase		1
	1SS-3C-004	Rotor Assembly for 3 Phase, Single Speed		1
	1DS-3C-004	Rotor Assembly for 3 Phase, Dual Speed		1
5	1SS-3C-005	Ball Bearing	180206kz1	1
6	1SS-1C-006	Motor Case Assembly for 1 Phase		1
	1SS-3C-006	Motor Case Assembly for 3 Phase, Single Speed		1
	1DS-3C-006	Motor Case Assembly for 3 Phase, Dual Speed		1
7	1SS-1C-007	Motor Right-End Cover for 1 Phase		1
	1SS-3C-007	Motor Right-End Cover for 3 Phase		1
8	1/2SS-3C-008	Hex Nut	M10	8
9	1/2SS-3C-009	Lock Washer	10mm	8
10	1/2SS-3C-010	Plain Washer	10mm	8
11	1/2SS-3C-011	Plain Washer	6mm	30
12	1/2SS-3C-012	Lock Washer	6mm	30
13	1/2SS-3C-013	Phillips Pan Head Machine Screw	M6x12	2
14	1SS-3C-014	Stay Bolt Block for Top Hook Assembly		2
15	3SS-3C-015	Stay Bolt for Top Hook Assembly		2
16	5SS-3C-016	Motor Side Plate		1
17	5SS-3C-017	Top Hook Assembly for 5T		1
18	1SS-3C-018	Stay Bolt for Motor Side Plate		4
19	1SS-3C-019	Ball Bearing with Retainer	150207	2
20	1SS-3C-020	Stop Ring	72/78.8	2
21	3SS-3C-021	Sheave Cover		1
22	1SS-3C-022	Lock Nut	M8	1
23	1SS-3C-023	Rubber Plug		2
24	1SS-3C-024	Socket Head Cap Screw	M6x25	2
25	1SS-3C-025	Lock Washer	6mm	2
26	1SS-3C-026	Lift Wheel		1
27	5SS-3C-027	Gear Side Plate		1
28	1SS-3C-028	Gear Side Plate Gasket		2
29	1SS-3C-029	Ball Bearing with Retainer	50403	1
30	1SS-3C-030	Stop Ring	62/67.6	1
31	1SS-3C-031	Second Gear Shaft		1
32	1SS-3C-032	Snap Ring	20mm	1
33	1SS-3C-033	Lift Gear		1
34	1SS-3C-034	First Gear Shaft for 3 Phase		1
35	1SS-3C-035	Overload Limit Clutch		1
35-1	1SS-3C-03501	Spline Sleeve		1
35-2	1SS-3C-03502	Wing Spring		1
35-3	1SS-1C-03503	Middle Gear for 1 Phase		1
	1SS-3C-03503	Middle Gear for 3 Phase		1
35-4	1SS-3C-03504	Adjust Round Nut		1
35-5	1SS-3C-03505	Clutch Support		1
35-6	1SS-3C-03506	Friction Disc		1
35-7	1SS-3C-03507	Adjust Washer		1
36	1SS-3C-036	Gear Case Seal		1
37	1SS-3C-037	Gear Case		1
38	1/2SS-3C-038	Socket Head Cap Screw	M6x20	5
39	1SS-3C-039	Ball Bearing	180205kz1	1
40	1SS-3C-040	Snap Ring (for 3 Phase only)	25mm	1
41	1SS-1C-041	DC Brake for 1 Phase		1
	1SS-3C-041	DC Brake for 3 Phase		1
41-1	1SS-3C-04101	Brake Bracket		1

41-2	1SS-3C-04102	Brake Stay Bolt	4
41-3	1SS-1C-04103	Friction Pad for 1 Phase	1
	1SS-3C-04103	Friction Pad for 3 Phase	1
41-4	1SS-1C-04104	Brake Spring for 1 Phase	4
	1SS-3C-04104	Brake Spring for 3 Phase	4
41-5	1SS-3C-04105	Locking Plate	2
41-6	1SS-3C-022	Lock Nut M8	4
41-7	1/2SS-3C-04107	Phillips Pan Head Machine Screw M5x6	4
41-8	1/2SS-3C-04108	Lock Washer 5mm	4
41-9	1SS-3C-04109	Brake Housing	1
41-10	1SS-1C-04110	Brake Coil for 1 Phase	1
	1SS-3C-04110	Brake Coil for 3 Phase	1
41-11	1SS-3C-04111	Brake Spring	4
41-12	1SS-3C-04112	Brake Armature	1
42	1/2SS-3C-042	Phillips Pan Head Machine Screw M6x10	20
43	1SS-3C-043	Gear Side Cover	1
44	5SS-3C-044	Capacity Label for 5T	1
45	1/2SS-3C-045	Socket Head Cap Screw M3x6	4
46	1/2SS-1C-046UG	Transformer for 1 Phase	1
	1/2SS-3C-046UG	Transformer for 3 Phase	1
47	1/2SS-3C-047	Phillips Pan Head Machine Screw M4x6	4
48	TS-2361041	Lock Washer 4mm	4
49	TS-1550021	Plain Washer 4mm	4
50	1/2SS-3C-050	Transformer Bracket	1
51	1SS-3C-051	Ball Bearing 180203kz1	1
52	1SS-3C-052	Steel Collar	1
53	TS-1550061	Plain Washer 8mm	1
54	1/2SS-3C-054	Socket Head Cap Screw M8x20	1
55	1SS-3C-055	Lock Plate for Clutch	1
56	1/2SS-3C-056	Round Pin A5x16	1
57	1/2SS-3C-057	Adjust Round Nut	1
58	1SS-3C-058	Adjust Shaft	1
59	1/2SS-3C-059	Round Pin A6x12	2
60	1/2SS-3C-060	Phillips Pan Head Machine Screw M4x16	1
61	TS-1550021	Plain Washer 4mm	1
62	1/2SS-3C-062	Hex Nut M4	1
63	1/2SS-3C-063	Phillips Pan Head Machine Screw M5x10	8
64	TS-2361051	Lock Washer 5mm	8
65	TS-1550031	Plain Washer 5mm	8
66	1SS-3C-066	Socket Head Cap Screw M8x25	1
67	1/2SS-3C-067	Chain Container Bracket	1
68	1SS-3C-068	Chain Container (for 10' Lift)	1
	3SS-3C-068	Chain Container (for 15' and 20' Lift)	1
69	1/2SS-3C-069UG	Limit Switch Set	1
70	1SS-3C-070	Snap Ring 34mm	1
71	3SS-3C-061	Hinge Plate	1
72	3SS-3C-064	Sheave Shaft	1
73	3SS-3C-083	Needle 3x39.8b	24
74	1SS-3C-071	Block	1
75	3SS-3C-088	Sheave	1
76	3SS-3C-089	Sheave Guide	1
77	1/2SS-3C-072	Cable Input Seal	2
78	1SS-3C-073	Limit Paddle Assembly	1
78-1	1SS-3C-07301	Side Plate	2
78-2	1SS-3C-07302	Chain Guide Block	1
78-3	1SS-3C-07303	Chain Guide Shaft	1
79	1SS-3C-074	Limit Spring	2
80	1SS-3C-075	Load Chain for 1T, 2T, 3T, and 5T * $\varnothing$ 8x24mm	1
81	1SS-3C-076	Retainer Ring	1

\* Specify length of Load Chain when ordering.

82	1SS-3C-077	Chain Stop	1	
83	1SS-3C-078	Pin	1	
84	5SS-3C-079	Bottom Hook Assembly for 5T	1	
85	2SS-3C-08007	Pin	1	
86	1/2SS-3C-010	Plain Washer	10mm	1
87	1SS-3C-08009	Slotted Hex Nut	M10	1
88	5SS-3C-088	Cotton Pin	2.5x20	1
89	5SS-3C-08006	Chain Holder		1
90	1SS-3C-081	Phillips Pan Head Machine Screw	M8x16	1
91	1/2SS-3C-082	Lock Washer	8mm	1
92	1/2SS-3C-053	Plain Washer	8mm	1
93	1/2SS-1C-085	Electric Component Board for 1 Phase		1
	1/2SS-3C-085	Electric Component Board for 3 Phase		1
94	1/2SS-3C-086	Volts Conversion (for 3 Phase Single Speed)		1
	1/2DS-3C-086A	Volts Conversion (for 3 Phase Dual Speed)		1
95	1/2SS-3C-047	Phillips Pan Head Machine Screw (for 1 Phase only)	M4x6	1
96	TS-2361041	Lock Washer (for 1 Phase only)	4mm	1
97	TS-1550021	Plain Washer (for 1 Phase only)	4mm	1
98	1/2SS-3C-090UG	Female Connector for Push Button Cord	7P	1
99	1/2SS-3C-091UG	Quick Connector Board		1
100	1/2SS-3C-092UG	Female Connector for Power Cord	4P	1
101	1SS-1C-093	Contactor Holder for 1 Phase		1
	1/2SS-3C-093	Contactor Holder for 3 Phase		1
102	TS-2284082	Phillips Pan Head Machine Screw	M4x8	2
103	TS-2361041	Lock Washer	4mm	2
104	TS-1550021	Plain Washer	4mm	2
105	1/2SS-1C-097UG	Magnetic Contactor for 1 Phase		2
	1/2SS-3C-097UG	Magnetic Contactor for 3 Phase (Single Speed 2pcs, Dual Speed 4Pcs)		
106	1/2SS-3C-098	Reverse Phase Inspector (3 Phase only)	230V/460V/3Ph/60Hz	1
107	1SS-3C-102UG	Motor Side Cover		1
108	1/2SS-3C-103UG	Phillips Pan Head Machine Screw	M3x12	8
109	1/2SS-3C-104	Pushbutton Control for 1 Phase and 3 Phase, Single Speed		1
	1/2DS-3C-104	Pushbutton Control for 3 Phase, Dual Speed		1
110	1/2SS-3C-105UG	Male Plug	7P	1
111	1/2SS-3C-106	Cable Holder		1
112	1/2SS-3C-022	Lock Nut	M6	1
113	5SS-3C-108	ID Label for 5T		1
114	1/2SS-3C-109	Phillips Pan Head Machine Screw	M3x6	4
115	1/2SS-3C-110	Lock Washer	3mm	12
116	1/2SS-3C-111	Plain Washer	3mm	12
117	1/2SS-1C-099-A	Solid State Switch (1 Phase only)		1
118	TS-2284352	Phillips Pan Head Machine Screw	M4x35	2
119	1/2SS-1C-101	Capacitor (for 1 Phase only)	Ø65, 600uF	1
120	1/2SS-1C-113	Capacitor Holder (for 1 Phase only)	Ø 65	1
121	1/2SS-1C-114	Rectifier (for 1 Phase only)	50A	1
122	1SS-1C-112	First Gear Shaft Assembly (for 1 Phase only)		1
123	1/2SS-3C-123UG	Male Plug	4P	1
128	1/2SS-3C-128	Lock Nut	M3	8
129	1SS-3C-129	Chain Guide		1
130	1/2SS-3C-130	Fuse	2A	1
131	1/2SS-3C-131	Fuse Cover		1

# Parts List: Hook Assemblies (5-Ton only)



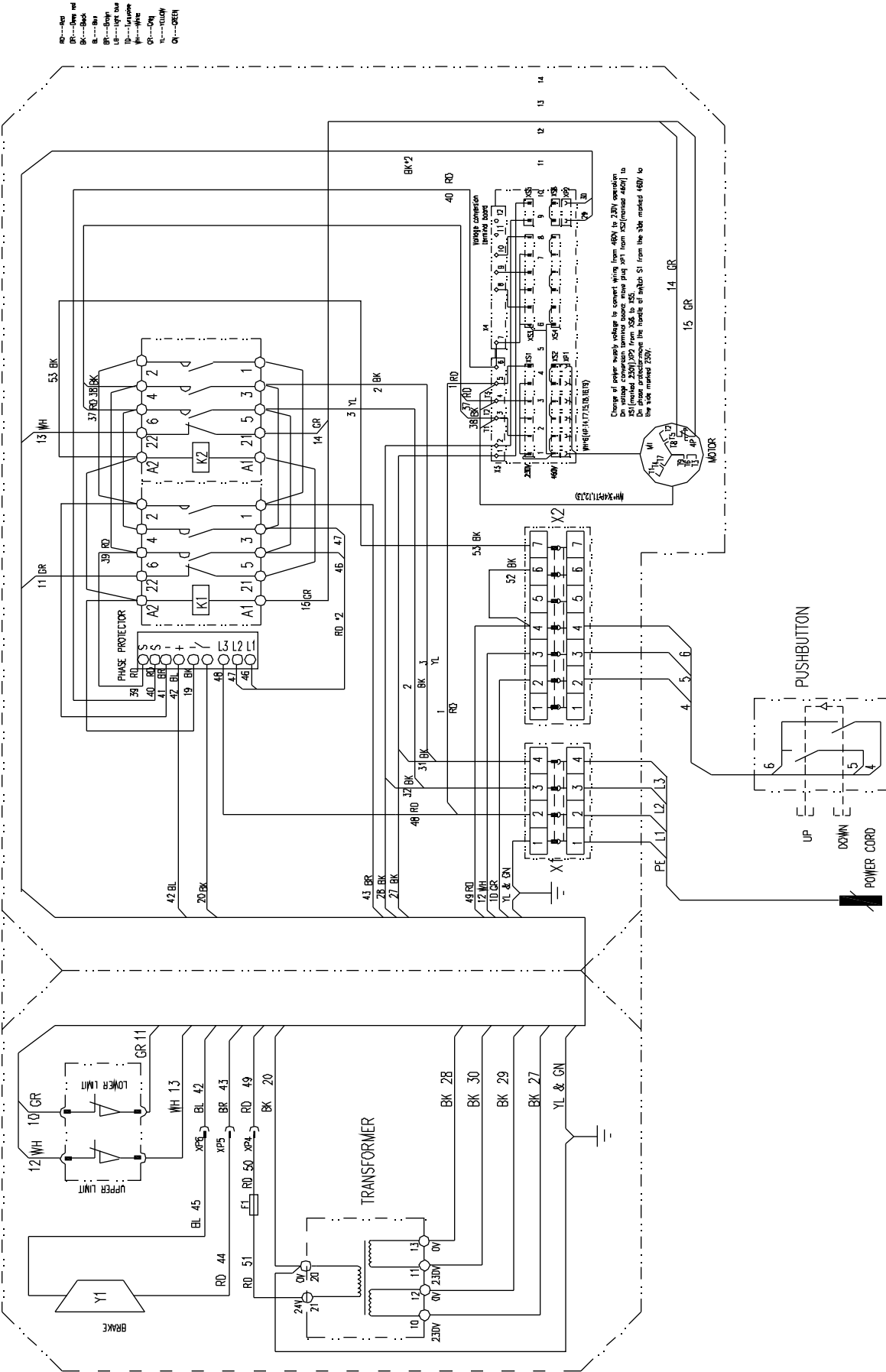
## Parts List: Hook Assemblies (5-Ton only)

Exploded view on page 43.

Index No.	Part No.	Description	Size	Qty
17	5SS-3C-017	Top Hook Assembly for 5 Ton		1
17-1	TS-2284302	Phillips Pan Head Machine Screw	M4x30	1
17-2	5SS-3C-01702	Hook Latch		1
17-3	5SS-3C-01703	Latch Spring		1
17-4	5SS-3C-01704	Top Hook		1
17-5	5SS-3C-01705	Lock Nut	M4	1
17-6	5SS-3C-01706	Connecting Bar		1
17-7	5SS-3C-01707	Plain Washer		1
17-8	5SS-3C-01708	Hook Nut		1
17-9	5SS-3C-01709	Roll Pin	5x40mm	1
79	5SS-3C-079	Bottom Hook Assembly for 5 Ton		1
79-1	5SS-3C-07901	Socket Head Cap Screw	M10x65	4
79-2	1/2SS-3C-009	Lock Washer	10mm	4
79-3	5SS-3C-07903	Bottom Hook Housing		2
79-6	5SS-3C-07906	Plain Washer		1
79-7	5SS-3C-07907	Thrust Ball Bearing	8306	1
79-8	5SS-3C-07908	Collar		1
17-0	5SS-3C-01700	Hook Latch Assembly (index #17-1,17-2,17-3,17-5)		1
17-1	TS-2284302	Phillips Pan Head Machine Screw	M4x30	1
17-2	5SS-3C-01702	Hook Latch		1
17-3	5SS-3C-01703	Latch Spring		1
17-4	5SS-3C-01704	Top Hook		1
17-5	1/2SS-3C-01705	Lock Nut	M4	1
17-8	5SS-3C-01708	Hook Nut		1
17-9	5SS-3C-01709	Roll Pin	5x40mm	1
79-14	3SS-3C-07922	Hex Bolt	M6x12	8
79-15	1/2SS-3C-012	Lock Washer	6mm	8
79-16	1/2SS-3C-011	Plain Washer	6mm	8
79-17	3SS-3C-061	Hinge Plate		4
79-18	3SS-3C-07901	Lock Nut	M10	4
79-19	3SS-3C-083	Needle	3x39.8b	48
79-20	3SS-3C-088	Sheave		2
79-21	5SS-3C-07921	Sheave Shaft		2



# Electrical Connections: 3-Phase, Single Speed Only



WIRING DIAGRAM FOR ELECTRIC HOISTS IN 3 PHASE WITH SINGLE SPEED

