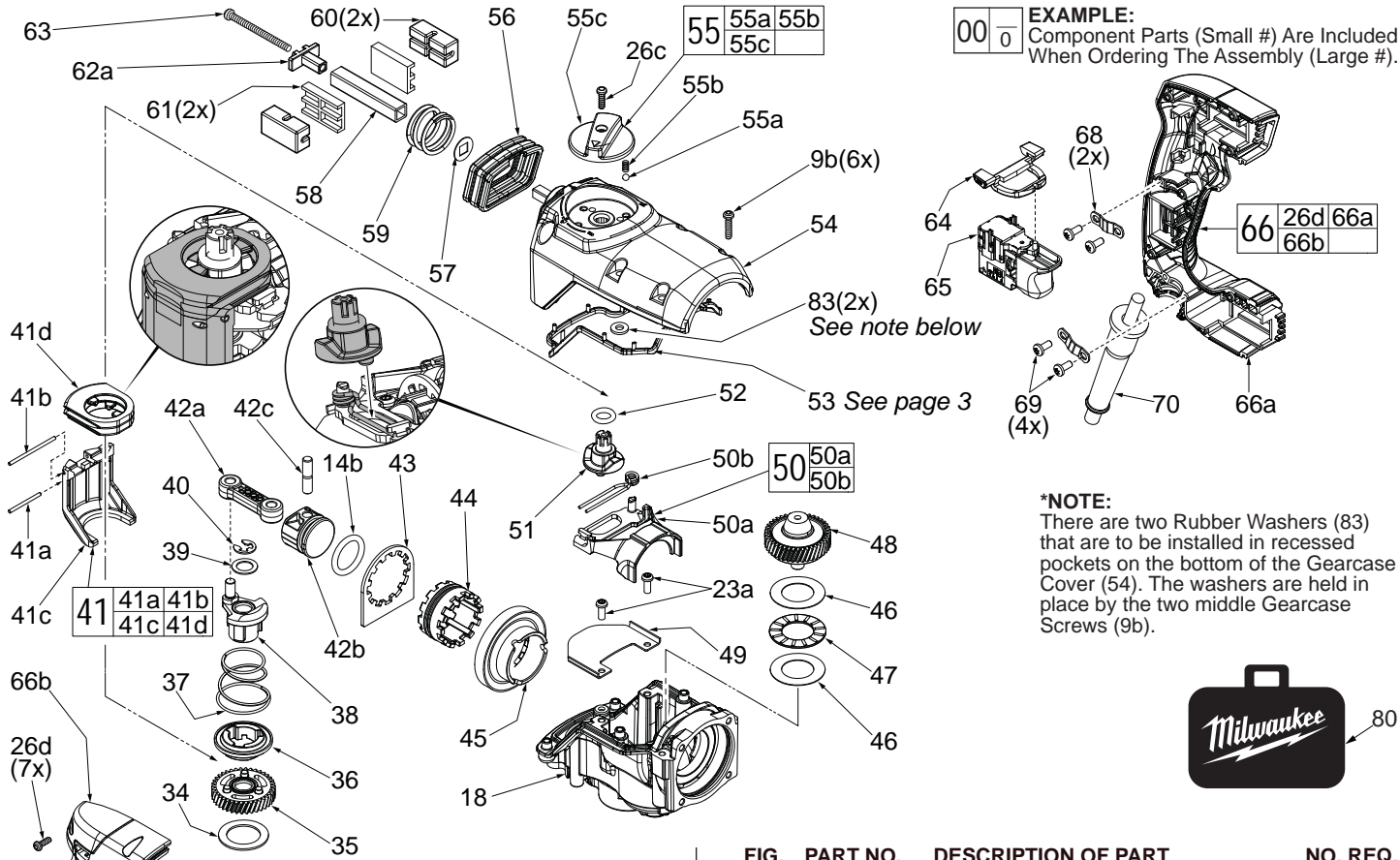




# SERVICE PARTS LIST

**BULLETIN NO.**  
54-24-0075

SPECIFY CATALOG NO. AND SERIAL NO. WHEN ORDERING PARTS		REVISED BULLETIN	DATE
<b>1-1/8" (3Kg) SDS Rotary Hammer</b>			Jan. 2015
CATALOG NO.	<b>5268-21</b>	STARTING SERIAL NO.	<b>F82A</b>
		WIRING INSTRUCTION <b>SEE PAGE 5</b>	



**\*NOTE:**  
There are two Rubber Washers (83) that are to be installed in recessed pockets on the bottom of the Gearcase Cover (54). The washers are held in place by the two middle Gearcase Screws (9b).

● = Component of Rotary Hammer Service Kit No. 14-46-5268 (See page three)

FIG.	PART NO.	DESCRIPTION OF PART	NO. REQ.
9b	06-75-2408	M4 x 17mm Pan Hd. Taptite T-20 w/Nylok	6
14b	34-40-0068	O-Ring (1 on Piston #42b, 1 on Ram #14a)	2
18	14-29-0067	Gearbox Assembly	1
23a	05-78-0105	M4 x 10mm Pan Hd. Taptite Screw	2
26c	06-82-2025	M3.5 x 16mm Pan Hd. Plastite T-10 Screw	1
26d	05-88-1610	M3.5 x 10mm Pan Hd. Plastite T-10 Screw	7
34	45-88-0106	Washer	1
35	32-60-0042	Crank Gear Assembly with Needle Bearing	1
36	44-90-0152	Crank Shift Ring	1
37	40-50-0107	Crank Spring	1
38	14-09-0110	Crank Assembly	1
39	44-66-0122	Crank Shim	1
40	42-70-5268	● Retaining E-Ring	1
41	14-46-0117	Chisel Shifter Assembly	1
41a	-----	M2 x 27mm Dowel Pin	1
41b	-----	M2 x 40mm Dowel Pin	1
41c	-----	Chisel Bracket	1
41d	-----	Chisel Shift Driver	1
42a	44-94-0022	Connecting Rod	1
42b	44-62-0302	Piston	1
42c	44-60-0147	Wrist Pin	1
43	44-66-0303	Locking Plate	1
44	44-90-0127	Shift Ring	1
45	32-05-0202	Bevel Gear	1
46	45-88-0112	Thrust Washer	2

47	02-50-0105	Thrust Bearing	1
48	32-10-0094	Clutch Gear Assembly	1
49	44-66-0132	Clamp Plate	1
50	14-46-0037	Fork Assembly	1
50a	-----	Fork	1
50b	-----	Fork Spring	1
51	42-90-0022	Shifting Coupler	1
52	34-40-0093	● O-Ring	1
53	42-92-0052	● Gearcase Gasket (See page three)	1
54	28-20-0182	Gearcase Cover	1
55	44-10-0057	Selector Knob Assembly	1
55a	-----	Selector Ball	1
55b	-----	Selector Spring	1
55c	-----	Selector Knob	1
56	22-90-0132	Top Grommet	1
57	45-88-0152	Vibration Washer (1 each for top & bottom AVS)	2
58	44-20-0141	Top AVS Square Guide Pipe	1
59	40-50-0211	Top AVS Spring	1
60	42-38-0077	Vibration Bumper (2 each for top & bottom AVS)	4
61	42-38-0137	Bumper Holder (2 each for top & bottom AVS)	4
62a	42-36-0032	Retaining Plate (Top AVS)	1
63	05-78-0012	M4 x 52mm Scr. (1 each for top & bottom AVS)	2
64	42-42-0053	Forward/Reverse Button	1
65	23-66-0027	On-Off Switch	1
66	14-34-0107	Handle Assembly	1
66a	-----	Left Handle Halve	1
66b	-----	Right Handle Halve	1
68	42-68-0601	Power Cord Clamp	2
69	05-78-5313	M4 x 9.5mm Pan Hd. Plastite T-15 Screw	4
70	22-64-0032	120V Power Cord Assembly	1
80	42-55-5268	Blow Molded Carrying Case	1
83	45-88-0014	● Rubber Washer	2

**MILWAUKEE ELECTRIC TOOL CORPORATION**  
13135 W. Lisbon Road, Brookfield, WI 53005  
Drwg. 2

● = Component of Rotary Hammer Service Kit No. 14-46-5268

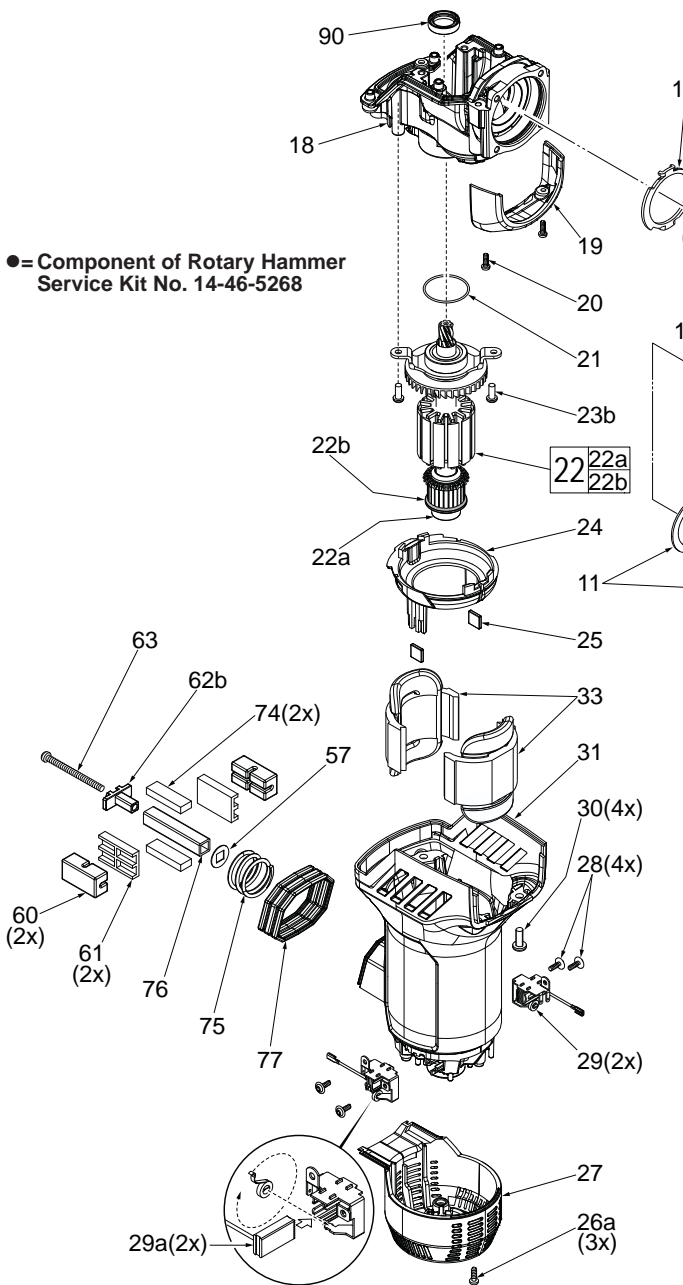


FIG.	PART NO.	DESCRIPTION OF PART	NO. REQ.
1	45-12-0045	● Dust Shield	1
2	44-90-5262	● Retaining Ring	1
3	45-22-0062	Collar with Steel Insert	1
4	02-02-0275	● 7mm Steel Ball	2
5	42-36-0017	● Ball Support Plate	1
6	40-50-0082	Conical Spring	1
7	14-34-0015	Side Handle Assembly	1
7a	44-66-0072	Clamp Collar	1
7b	05-81-5376	M8 x 53mm Screw	1
7c	-----	Side Handle Carrier Assembly	1
7f	45-88-5377	Washer	1
7g	31-05-5383	Side Handle	1
7h	44-94-5381	Depth Rod	1
8	45-22-0045	Side Handle Sleeve	1
9a	05-78-5316	M4 x 14mm Pan Hd. Taptite T-20 Screw	4
10	42-40-0027	Bushing Sleeve Assembly with Seals	1
11	45-88-0157	Washer	3
12	42-38-0127	● Bumper	2
13	14-46-0197	Spindle Assembly	1
13a	38-50-0052	Spindle	1
13b	43-06-0060	Brake Ring	1
13c	44-66-0203	Anvil Ring	1
13d	34-40-0032	● Square O-Ring	1
13e	42-06-0027	Anvil/Striker	1
13f	34-40-0052	● Anvil O-Ring	1
13g	42-06-0067	Ram Catcher	1
13h	44-90-0032	● Back Pressure Ring	1
13j	34-60-0027	● Anvil Retaining Ring	1
14a	45-56-0065	Ram	1

FIG.	PART NO.	DESCRIPTION OF PART	NO. REQ.
14b	34-40-0068	● O-Ring (1 on Ram #14a, 1 on Piston #42b)	2
15	42-76-0037	Spindle Collar	1
16	34-40-0082	● O-Ring	1
17	44-60-0119	Retaining Plate	1
18	14-29-0067	Gearbox Assembly	1

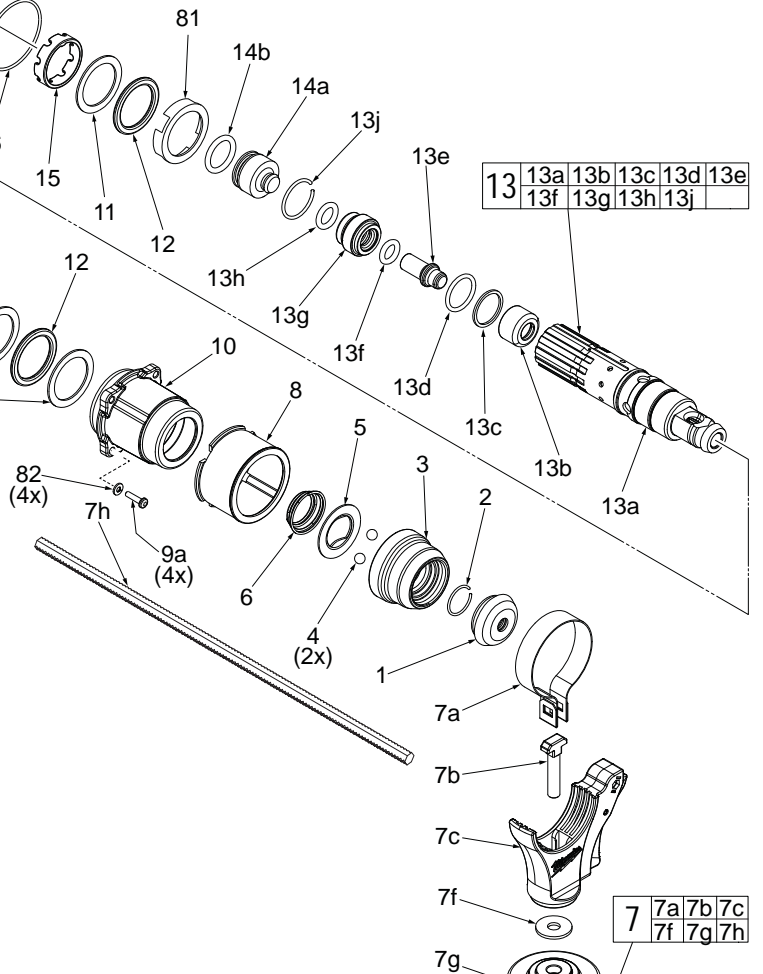


FIG.	PART NO.	DESCRIPTION	NO. REQ.
19	31-15-0039	Shroud	1
20	05-86-1000	M3 x 9.5mm Pan Hd. Tapt.	T-10 Scr. 2
21	34-40-5320	● O-Ring	1
22	14-50-0052	120V Armature Assembly	1
22a	02-04-5382	Ball Bearing	1
22b	23-16-0092	Commutator Insulator Disc	1
23b	05-78-0105	M4 x 10mm Pan Hd. Taptite Screw	2
24	31-05-0057	Baffle	1
25	42-28-0085	Field Isolation Block	2
26a	05-88-1610	M3.5 x 10mm Pan Hd. Plastite T-10 Screw	3
27	23-44-0063	Motor Housing/Brush Cover	1
28	06-82-0062	M3 x 8mm Pan Hd. Washer T-10 Screw	4
29	22-20-0019	120V Carbon Brush Assembly	2
29a	22-18-5268	● 120V Carbon Brush (Set of 2)	1
30	05-74-0990	M5 x 15mm Pan Hd. Taptite T-25 Screw	4
31	28-50-0107	Motor Housing Assembly	1
33	18-07-0097	120V Split Field	1
57	45-88-0152	Vibration Washer	2
60	42-38-0077	Vibration Bumper	4
61	42-38-0137	Bumper Holder	4
62b	44-66-0131	Retaining Plate (Bottom AVS)	1
63	05-78-0012	M4 x 52mm Scr. (1 each for top & bottom AVS)	2
74	44-52-0052	Foam Block	2
75	40-50-0138	Bottom AVS Spring	1
76	44-68-0155	Bottom AVS Square Guide Pipe	1
77	22-90-0152	Bottom Grommet	1
78	12-20-5268	Service Nameplate (Not Shown)	1
81	45-88-0042	Bumper/Washer Holder	1
82	05-90-0225	Lock Washer	4
90	45-06-0042	Motor Seal	1