



# SERVICE PARTS LIST

**BUL. 54-22-3150**

## 8" TUCK POINT GRINDER

REVISED BUL. DATE  
Aug '78

**Catalog No. 5260**

Starting Serial No. **599-1001**

WIRING INSTRUCTIONS  
**58-01-0305**

Specify Catalog and Serial No. when ordering parts

FOR CAT. NO. 5260-2  
(240 V.) TOOL USE:  
16-86-1365 ARMATURE  
18-86-1115 FIELD  
22-64-4000 CORD SET

4000 R.P.M.  
11.5 AMPS

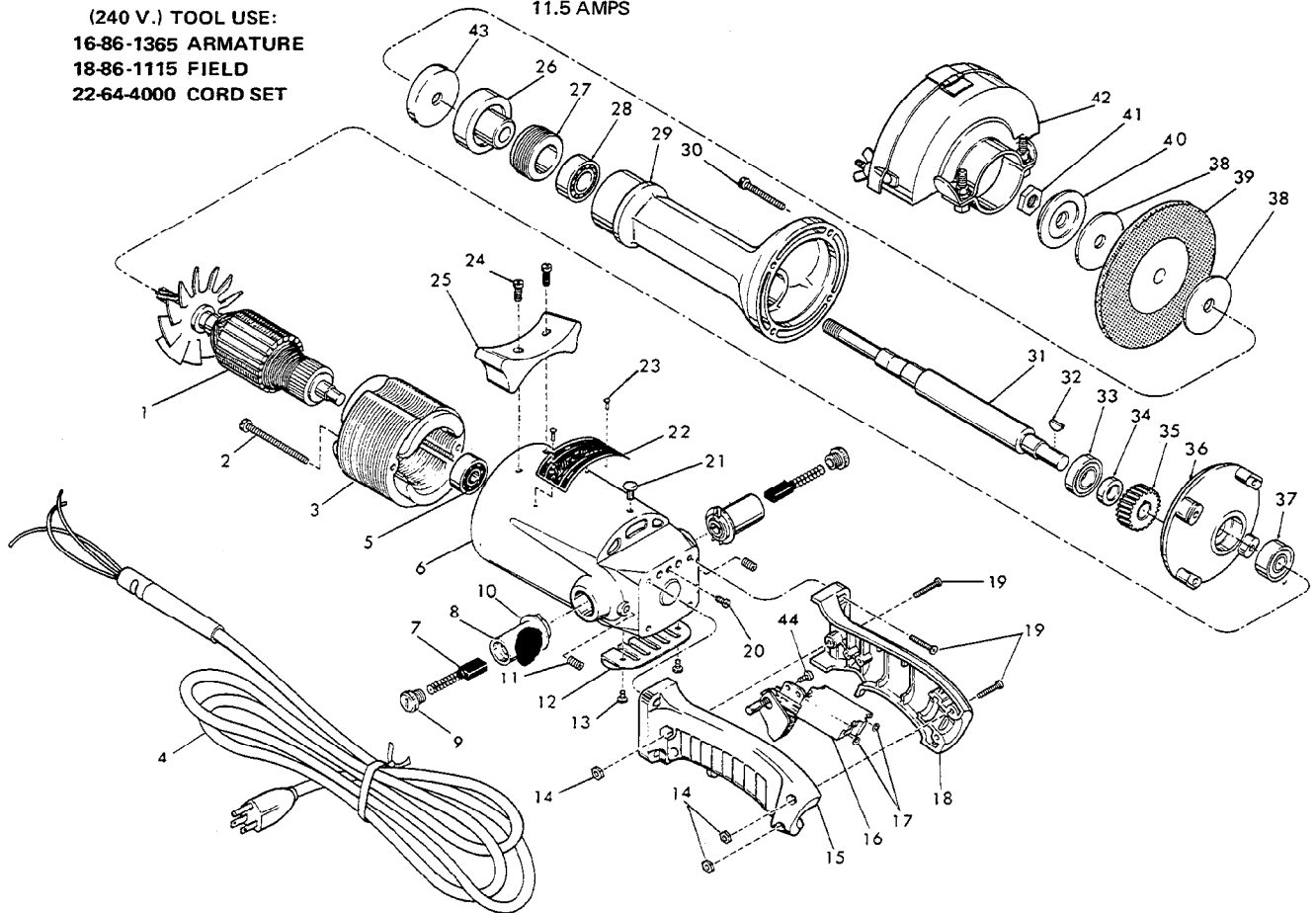


FIG.	PART NO.	DESCRIPTION OF PART	NO. REQ.	FIG.	PART NO.	DESCRIPTION OF PART	NO. REQ.
1	16-82-1455	115 Volt Armature	(1)	24	06-81-6950	10-24x1/2 Fil. Hd. Sem	(2)
2	06-81-9200	10-24x2-1/2 Rd. Hd. Sem	(2)	25	28-79-0241	Tool Rest	(1)
3	18-82-1115	115 Volt Field	(1)	26	43-34-0070	Inner Wheel Flange	(1)
4	22-64-0080	Cord Set	(1)	27	44-40-0180	Lock Nut	(1)
5	02-04-1070	Ball Bearing	(1)	28	02-20-1720	Ball Bearing	(1)
6	28-50-5200	Motor Housing (Includes 45-30-0110 Slug)	(1)	29	28-50-7601	Spindle Housing	(1)
7	22-18-0260	Carbon Brush	(2)	30	06-81-7150	10-24x1-3/8 Fil. Hd. Sem	(4)
8	22-22-1291	Brush Holder	(2)	31	38-50-3901	Spindle	(1)
9	23-44-0065	Brush Retaining Screw	(2)	32	06-42-2000	Woodruff Key	(1)
10	23-86-0060	Insulating Washer	(2)	33	02-04-1515	Ball Bearing	(1)
11	06-83-2000	10-24x1/4 Set Screw	(2)	34	45-36-0221	Spindle Gear Spacer	(1)
12	44-66-0105	Vent Cover Plate	(1)	35	32-75-2281	Spindle Gear	(1)
13	06-81-8650	6-32x1/4 Rd. Hd. Sem	(2)	36	28-28-1021	Diaphragm	(1)
14	06-55-1000	10-24 Hex Nut	(3)	37	02-04-1140	Ball Bearing	(1)
15	31-44-0590	Handle Half Left	(1)	38	45-88-0260	Flange Rubber Washer	(2)
16	23-66-0255	Switch (20 Amp)	(1)	39	-	8" Tuck Point Wheel (Select From Catalog)	
17	06-97-1800	Lockwasher	(4)	40	43-34-0060	Outer Wheel Flange	(1)
18	31-44-0580	Handle Half Right	(1)	41	06-55-3250	5/8-11 Hex Nut	(1)
19	06-81-4207	10-24x7/8 Phillips Pan Hd. Screw	(7)	42	49-12-0310	8" Wheel Guard Assembly	(1)
20	06-81-9125	10-24x1/4 Ground Screw	(1)	43	45-36-0060	Tuck Point Spacer	(1)
21	06-77-1350	14x1/4 Driv-In Screw	(1)	44	06-95-0215	8-18x1/2 Pan Hd. Thread Form Screw	(1)
22	12-99-0032	Nameplate Blank	(1)	45	10-98-5991	Caution Plate (Not Shown)	(1)
23	06-85-0200	Nameplate Screw	(2)				