



SERVICE PARTS LIST

BUL. 54-22-9023

6" GRINDER

REVISED BUL 6155-4 DATE FEB. '68

Catalog No. 5240-8

Starting Serial No. 155-2820

WIRING INSTR.

Both Model and Serial No. must be furnished to obtain correct parts.

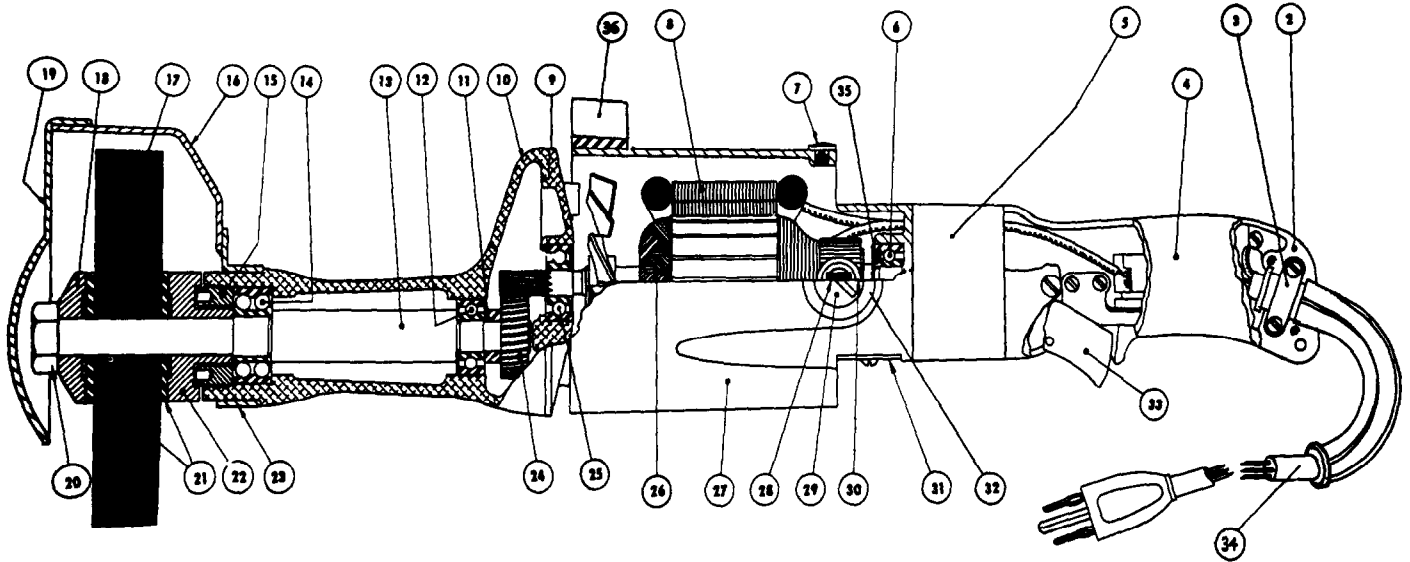


FIG.	PART NO.	DESCRIPTION OF PART	FIG.	PART NO.	DESCRIPTION OF PART
2	28-44-1041	Handle (Switch Mounting Side)	20	06-55-3250	5/8-11 Thr'd Spindle Nut
3	28-17-0200	Cord Clamp Strap	21	45-88-0190	Rubber Flange Washers (2)
4	28-44-9081	Handle (Switch Cover Side)	22	43-34-0070	Inner Wheel Flange
5	23-62-0100	Radio Supp. Assembly	23	See Fig. 17	Sold only as an Assembly
6	02-04-1070	Ball Brg. (Comm. End)	24	32-75-2281	Spindle Gear
7	06-77-1400	Drive Screw Tool Rest Button	25	02-04-1140	Ball Brg. (Pinion End)
8	18-82-1170	Field Assembly	26	16-82-1460	Armature Assembly
9	28-28-1021	Diaphragm	27	28-50-4561	Motor Housing
10	28-50-7601	Spindle Housing	28	22-18-0260	Carbon Brush Assemblies (per set 2)
11	45-36-0220	Spindle Gear Spacer	29	23-44-0065	Brush Ret. Cap Assembly (per set 2)
12	02-04-1520	Ball Brg. (Inner)	30	22-22-0130	Brush Holder Assembly (2)
13	38-50-3901	Spindle	31	44-66-0100	Commutator Cover Plate
14	02-20-1720	Ball Brg. (Outer)	32	22-24-0100	Brush Holder Bushing (2)
15	44-40-0180	Bearing Lock Nut	33	23-66-0250	Switch Assembly
16	43-54-0120	6" Guard Assembly	34	22-64-0090	Cord Set
17	6" Dia. x 1" x 5/8" Hole Grinding Wheel (Specify Grit)		35	43-06-0070	Grounding Disc
18	43-34-0050	Outer Wheel Flange	36	28-79-0241	Tool Rest
19	See Fig. 17	Sold only as as Assembly			

MISCELLANEOUS PARTS NOT SHOWN

PART NO.	DESCRIPTION OF PART	PART NO.	DESCRIPTION OF PART
12-30-3700	Name Plate	06-97-3400	No. 10 Kantlink Lock Washer
23-86-0130	Insulating Washers	12-98-5100	Warning Plate
06-81-6100	No. 8-32x7/16 Fil. Hd. Cord Clamp Strap Sems	06-97-2400	Lockwasher (4)
06-81-7150	No. 10-24x1-3/8 Fil.Hd. Spindle Housing Screws	06-83-2650	1/4-20x3/8 Hdless. Brush Holder Set Screws (2)
06-81-3750	No. 8-32x1 Oval Hd. Handle Cover Screws	06-81-8950	No. 8-32x2-1/4 Rd.Hd. Field Screws (2)
06-81-3700	No. 8-32x7/8 Oval Hd. Handle Cover Screws	06-81-8625	No. 6-32x1/4 Rd. Hd. Ground Wire Screw (Brass)
06-81-1625	No. 12-24-2 1/2 Fil.Hd. Switch Handle Screws	(4) 06-81-8200	No. 4-36x3/16 Rd. Hd. Name Plate Sems (2)
		06-81-8650	No. 6-32x1/4 Rd.Hd. Comm. Cover Screws (2)
		06-81-6950	No. 10-24x1/2 Fil.Hd. Tool Rest Sem (2)
06-97-3200	No. 8 Kantlink Lock Washer	06-81-5400	No. 8-32x 5/16 Binder Hd. Sw. Mounting Scs. (2)