



# SERVICE PARTS LIST

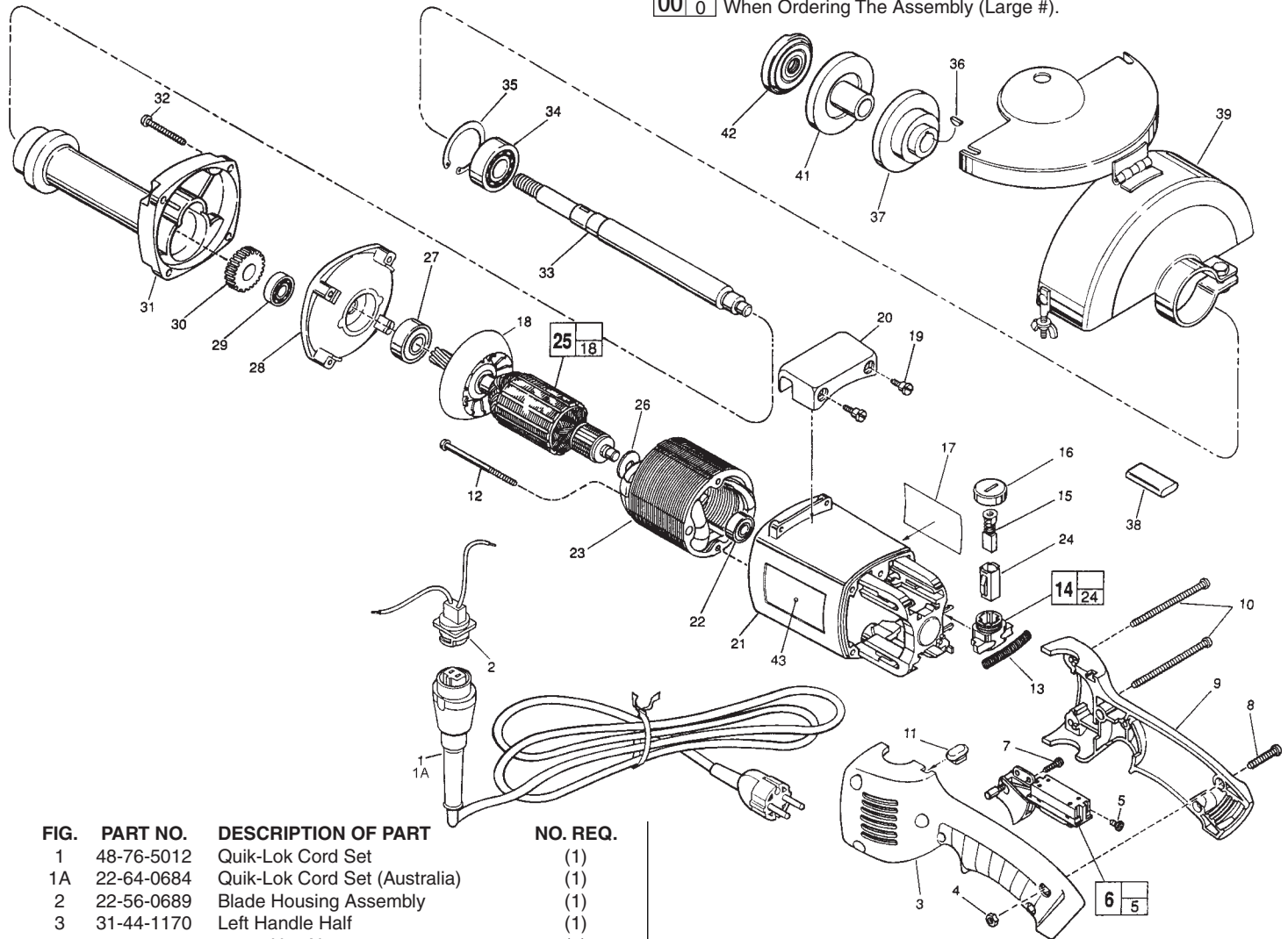
**BULLETIN NO.**  
**55-22-1425**

|  |                                 |   |           |
|--|---------------------------------|---|-----------|
| SPECIFY CATALOG NO. AND SERIAL NO. WHEN ORDERING PARTS |                                 | REVISED BULLETIN                        | DATE      |
| <b>125mm STRAIGHT GRINDER</b>                          |                                 |   | June 2006 |
| CATALOG NO. <b>5223-50</b>                             | STARTING SERIAL NO. <b>584A</b> | WIRING INSTRUCTION<br><b>58-03-1750</b> |           |

**EXAMPLE:**

|    |   |
|----|---|
| 00 | 0 |
|----|---|

 Component Parts (Small #) Are Included When Ordering The Assembly (Large #).



| FIG. | PART NO.   | DESCRIPTION OF PART               | NO. REQ. |
|------|------------|-----------------------------------|----------|
| 1    | 48-76-5012 | Quik-Lok Cord Set                 | (1)      |
| 1A   | 22-64-0684 | Quik-Lok Cord Set (Australia)     | (1)      |
| 2    | 22-56-0689 | Blade Housing Assembly            | (1)      |
| 3    | 31-44-1170 | Left Handle Half                  | (1)      |
| 4    | 06-55-1050 | 10-24 Hex Nut                     | (5)      |
| 5    | 05-78-0305 | Switch Screw T-15                 | (4)      |
| 6    | 23-66-1804 | Switch                            | (1)      |
| 7    | 06-82-7409 | 8-16 x 1/2" Pan Hd. Plast. T-20   | (1)      |
| 8    | 06-82-2568 | 10-24 x 7/8" Slit. Pan Hd. T-25   | (3)      |
| 9    | 31-44-1175 | Right Handle Half                 | (1)      |
| 10   | 06-82-2598 | 10-24 x 2-3/4" Slit. Pan Hd. T-25 | (2)      |
| 11   | 42-38-0190 | Bumper                            | (1)      |
| 12   | 06-82-7375 | 8-16 x 2-1/2" Taptite T-20        | (2)      |
| 13   | 40-50-7770 | Brush Holder Spring               | (2)      |
| 14   | 22-22-1325 | Brush Holder Assembly             | (2)      |
| 15   | 22-18-0725 | Carbon Brush Assembly             | (2)      |
| 16   | 23-44-0210 | Brush Retaining Screw             | (2)      |
| 17   | 12-20-5223 | Service Nameplate Kit             | (1)      |
| 18   | 22-84-0710 | Fan                               | (1)      |
| 19   | 45-04-0720 | Shoulder Screw                    | (2)      |
| 20   | 31-70-0125 | Tool Rest                         | (1)      |
| 21   | 31-50-0548 | Motor Housing                     | (1)      |
| 22   | 02-04-0845 | Ball Bearing                      | (1)      |
| 23   | 18-56-0091 | Field                             | (1)      |
| 24   | 22-20-0660 | Brush Tube                        | (2)      |
| 25   | 16-56-1145 | Armature                          | (1)      |
| ★ 26 | 23-16-1700 | Commutator Insulator              | (1)      |
| 27   | 02-04-1515 | Ball Bearing                      | (1)      |
| 28   | 28-28-1567 | Diaphragm                         | (1)      |
| 29   | 02-04-0910 | Ball Bearing                      | (1)      |

| FIG. | PART NO.   | DESCRIPTION OF PART          | NO. REQ. |
|------|------------|------------------------------|----------|
| 30   | 32-75-3140 | Spindle Gear                 | (1)      |
| 31   | 28-50-6196 | Spindle Housing              | (1)      |
| 32   | 06-82-7407 | 10-14 x 1-9/16" Pan Hd. T-25 | (4)      |
| 33   | 38-50-5341 | Spindle Shaft                | (1)      |
| 34   | 02-04-1745 | Ball Bearing                 | (1)      |
| 35   | 34-80-2960 | Internal Retaining Ring      | (1)      |
| 36   | 06-42-1200 | Woodruff Key                 | (1)      |
| 37   | 43-34-0194 | Inner Wheel Flange           | (1)      |
| 38   | 22-33-0535 | Suppressor                   | (1)      |
| 39   | 49-12-0295 | Wheel Guard                  | (1)      |
| 41   | 43-34-0193 | Outer Wheel Flange           | (1)      |
| 42   | 05-59-0120 | Fixtec Nut                   | (1)      |
| 43   | 10-15-5223 | Logo Label                   | (1)      |
|      | 49-96-6600 | Spanner Wrench               | (1)      |

**FIG. LUBRICATION**

31 Place 22 grams of Type "G" Grease, No. 49-08-4140 in gear cavity of Spindle Housing.

**MILWAUKEE ELECTRIC TOOL CORPORATION**  
13135 W. LISBON RD., BROOKFIELD, WI 53005  
Drwg. 4