



SERVICE PARTS LIST

BUL. 54-22-3108

5" GRINDER

REVISED BUL. 54-22-3107 DATE Sept. '78

Catalog No. 5220

Starting Serial No. **75-9482**

WIRING INSTRUCTIONS **58-01-0305**

Specify Catalog and Serial No. when ordering parts

4000 R.P.M.
11.5 AMPS

FOR CAT. NO. 5220-2
(240 V.) TOOL USE:
16-86-1365 ARMATURE
18-86-1115 FIELD
22-64-4000 CORD SET

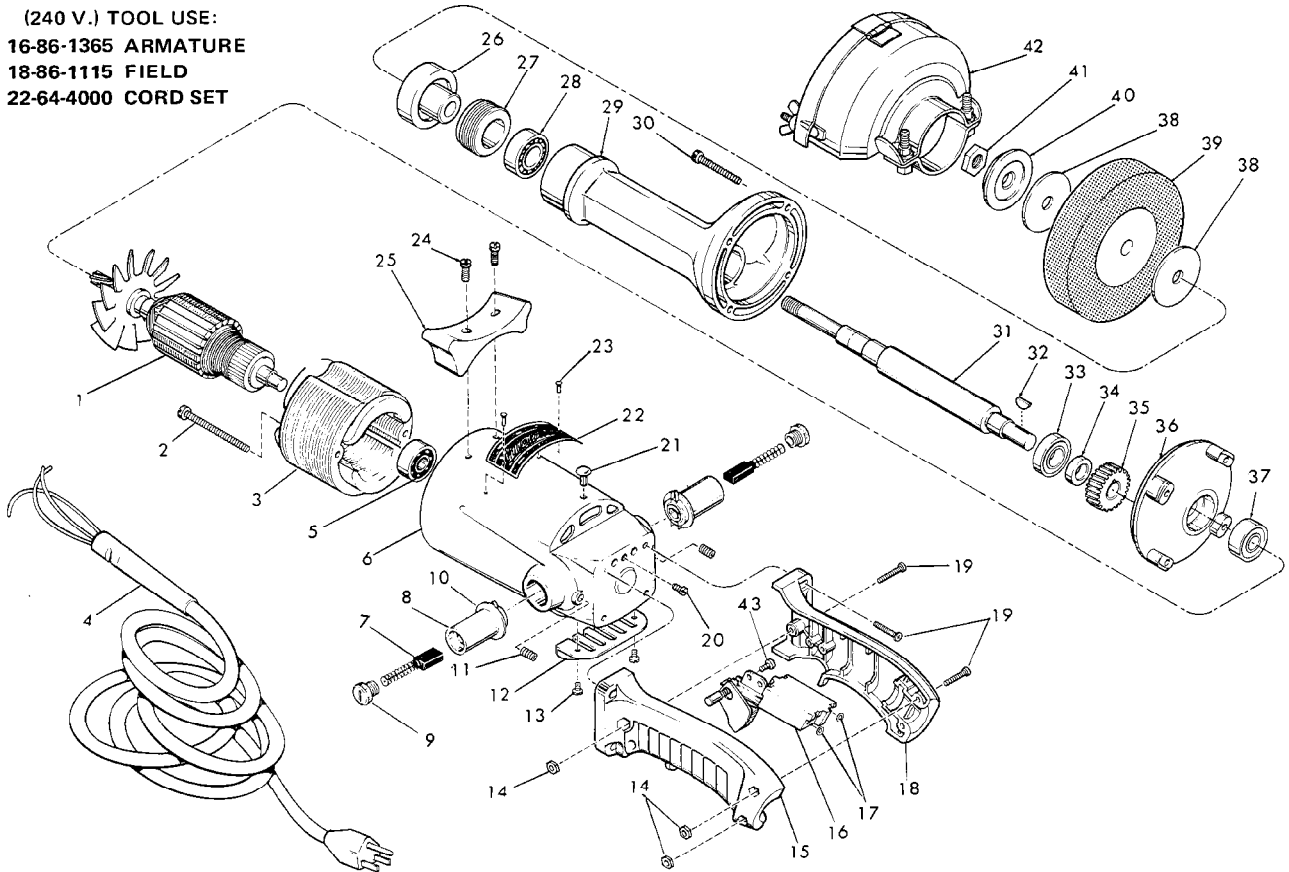


FIG.	PART NO.	DESCRIPTION OF PART	NO. REQ.	FIG.	PART NO.	DESCRIPTION OF PART	NO. REQ.
★ 1	16-82-1455	115 Volt Armature	(1)	24	06-81-6950	10-24x1/2 Fil. Hd. Sem	(2)
★ 2	06-81-9201	10-24x2-1/2 Rd. Hd. Sem	(2)	25	28-79-0241	Tool Rest	(1)
★ 3	18-82-1115	115 Volt Field	(1)	26	43-34-0070	Inner Wheel Flange	(1)
★ 4	22-64-0080	Cord Set	(1)	27	44-40-0180	Lock Nut	(1)
5	02-04-1070	Ball Bearing	(1)	28	02-20-1720	Ball Bearing	(1)
★ 6	28-50-5200	Motor Housing (Includes 45-30-0110 Slug)	(1)	29	28-50-7601	Spindle Housing	(1)
7	22-18-0260	Carbon Brush	(2)	30	06-81-7150	10-24x1-3/8 Fil. Hd. Sem	(4)
8	22-22-1291	Brush Holder	(2)	31	38-50-3901	Spindle	(1)
9	23-44-0065	Brush Retaining Screw	(2)	32	06-42-2000	Woodruff Key	(1)
10	23-86-0060	Insulating Washer	(2)	33	02-04-1515	Ball Bearing	(1)
★ 11	06-83-2000	10-24x1/4 Set Screw	(2)	34	45-36-0221	Spindle Gear Spacer	(1)
★ 12	44-66-0105	Vent Cover Plate	(1)	35	32-75-2281	Spindle Gear	(1)
13	06-81-8650	6-32x1/4 Rd. Hd. Sem	(2)	36	28-28-1021	Diaphragm	(1)
★ 14	06-55-1000	10-24 Hex Nut	(3)	37	02-04-1140	Ball Bearing	(1)
★ 15	31-44-0590	Handle Half Left	(1)	38	45-88-0260	Flange Rubber Washer	(2)
★ 16	23-66-0255	Switch (20 Amp)	(1)	39	-	5" Grinding Wheel (Select From Catalog)	
17	06-97-1800	Lockwasher	(4)	40	43-34-0060	Outer Wheel Flange	(1)
★ 18	31-44-0580	Handle Half Right	(1)	41	06-55-3250	5/8-11 Hex Nut	(1)
★ 19	06-81-4207	10-24x7/8 Phillips Pan Hd. Screw	(7)	42	49-12-0140	5" Wheel Guard Assembly	(1)
★ 20	06-81-9125	10-24x1/4 Ground Screw	(1)	★ 43	06-95-0215	8-18x1/2 Pan Hd. Thread Form Screw	(1)
21	06-77-1350	14x1/4 Driv-In Screw	(1)	★ 44	10-98-5993	Caution Plate (Not Shown)	(1)
22	12-99-0032	Nameplate Blank	(1)				
23	06-85-0200	Nameplate Screw	(2)				