



# SERVICE PARTS LIST

**BUL. 54-22-3106**

## 5" GRINDER

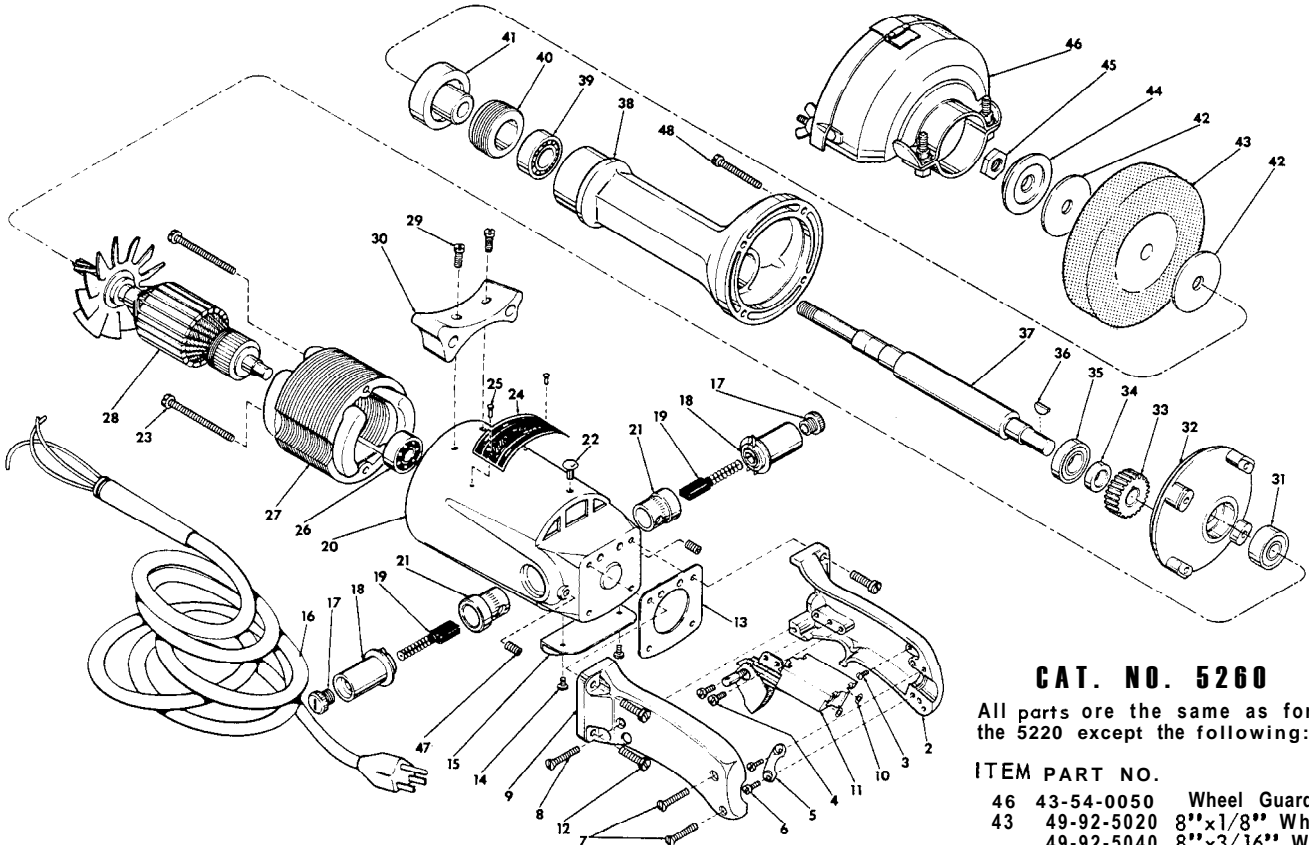
REVISED BUL. 54-22-3105 DATE Jan., '70

**Catalog No. 5220**

Starting Serial No. **75-6015**

WIRING INSTR. **58-01-0310**

Both Model and Serial No. must be furnished to obtain correct parts.



### CAT. NO. 5260

All parts are the same as for the 5220 except the following:

ITEM	PART NO.	DESCRIPTION	NO. REQ.
46	43-54-0050	Wheel Guard	
43	49-92-5020	8"x1/8" Wheel	
	49-92-5040	8"x3/16" Wheel	
ADD 45-36-0060 Wheel Spacer			

FIG.	PART NO.	DESCRIPTION OF PART	NO. REQ.	FIG.	PART NO.	DESCRIPTION OF PART	NO. REQ.
1	14-78-o 100	Switch Handle Assembly (Includes Fig. Nos. 2 thru 9)		24	1 Z-98-3500	Name Plate	
2	28-44-1 041	Handle (Switch Mount Side)		★ 25	06-77-0625	6x1/4 Rd. Driv-In Screw	(2)
3	06-81-8625	6-32x1/4 Rd.Hd. Bronze		26	0204-1 070	Ball Bearing	
4	06-81-5400	8-32x5/16 Binder Sem	(2)	27	18-82-1 110	Field Assembly	
5	28-17-0200	Clamp Strap		28	16-82-1 450	Armature Assembly	
6	06-8 1-6 150	8-32x1/2 Fil.Hd. Sem	(2)	29	0681-6950	10-24x1/2 Fil.Hd. Sem	(2)
7	06-81-3700	8-32x7/8 Oval Hd. Screw	(2)	30	28-79-0241	Tool Rest	
8	06-81-3750	8-32x1 Oval Hd. Screw		31	02-04-1 140	Ball Bearing	
9	28-44-9081	Handle (Switch Cover Side)		32	28-28-1 021	Diaphragm	
10	06-97-1 800	Lock Washer	(4)	33	32-75-2281	Spindle Gear	
11	23-66-0250	Switch		34	45-36-0220	Spindle Gear Spacer	
★ 12	06-81-7620	12-28x3/4 Fil.Hd. Sem	(4)	35	0204-1 520	Ball Bearing	
13	43-86-0050	Handle Insulator		36	06-42-2000	Woodruff Key	
14	06-8 1-8650	6-32x1/4 Rd.Hd. Sem	(2)	37	38-50-3901	Spindle	
15	44-66-0100	Cover Plate		38	28-50-7601	Spindle Housing	
16	22-64-0090	Cord Set		39	02-20-1 720	Ball Bearing	
17	23-44-0065	Brush Retaining Screw	(2)	40	44-40-0180	Lock Nut	
18	22-22-0130	Brush Holder Assy.	(2)	41	43-34-0070	Inner Wheel Flange	
19	22-18-0260	Carbon Brush Assy.	(2)	42	45-88-0260	Rubber Washer	(2)
★ 20	28-50-4563	Motor Housing Assembly (Includes Fig. Nos. 21 thru 23)		43	49-92-2240	Grinding Wheel	
21	22-24-0100	Bushing		44	43-34-0060	Outer Wheel Flange	
22	06-77-1 400	14x5/16 Driv-In Screw		45	06-55-3250	5/8-11 Hex Nut	
23	06-8 1-9200	1 0-24x2-1/2 Rd.Hd. Sem	(2)	46	43-54-0110	Wheel Guard Assy.	
				★ 47	06-83-2725	1/4-28x3/8 Hdl. Set Screw	(2)
				48	06-81-7150	10-24x1-3/8 Fil.Hd. Sem	(4)