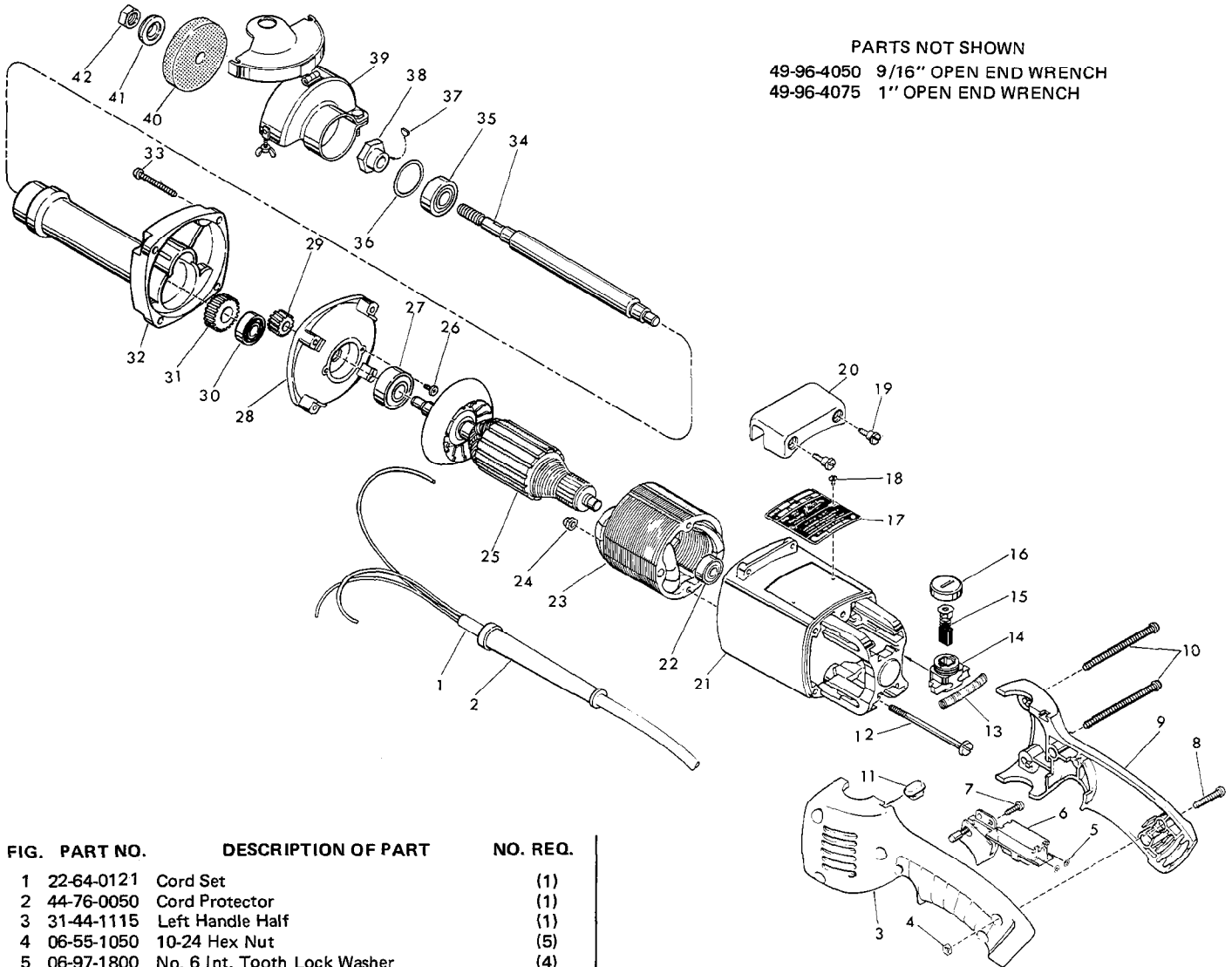




SERVICE PARTS LIST

BULLETIN NO.
54-22-1060

SPECIFY CATALOG NO. AND SERIAL NO. WHEN ORDERING PARTS		REVISED BULLETIN	DATE
3" STRAIGHT GRINDER			Dec. '83
CATALOG NO. 5211	STARTING SERIAL NO. 676-1001	WIRING INSTRUCTION 58-01-0301	
CAT. NO. 5211-6	START SER. NO. 626-1001	BILINGUAL LABEL 10-98-6105	



PARTS NOT SHOWN
49-96-4050 9/16" OPEN END WRENCH
49-96-4075 1" OPEN END WRENCH

FIG.	PART NO.	DESCRIPTION OF PART	NO. REQ.
1	22-64-0121	Cord Set	(1)
2	44-76-0050	Cord Protector	(1)
3	31-44-1115	Left Handle Half	(1)
4	06-55-1050	10-24 Hex Nut	(5)
5	06-97-1800	No. 6 Int. Tooth Lock Washer	(4)
6	23-66-0255	Switch	(1)
7	06-95-0205	8-16 x 1/2 Pan Hd. Thread Form Screw	(1)
8	06-81-4206	10-24 x 7/8" Pos. Pan Hd. Screw	(3)
9	31-44-1110	Right Handle Half	(1)
10	06-81-5775	10-24 x 2-3/4" Pos. Pan Hd. Screw	(2)
11	42-38-0190	Bumper	(1)
12	06-81-7480	10-32 x 2-3/4" Flat Hd. Screw	(2)
13	40-50-7770	Brush Holder Spring	(2)
14	22-22-1300	Brush Holder Assembly	(2)
15	22-18-0620	Carbon Brush Assembly	(2)
16	23-44-0180	Brush Retaining Screw	(2)
17	12-99-0302	Nameplate Blank	(1)
18	06-85-0200	Nameplate Screw	(2)
19	45-04-0570	Shoulder Screw	(2)
20	31-70-0125	Tool Rest	(1)
21	31-50-0250	Motor Housing	(1)
22	02-04-0845	Ball Bearing	(1)
23	18-50-0090	120 Volt Field	(1)
24	06-57-3005	10-32 Locking Hex Nut	(2)
25	16-50-0130	120 Volt Armature	(1)
26	06-95-0209	8-32 x 3/8" Taptite Screw	(2)
27	02-04-1230	Ball Bearing	(1)

FIG.	PART NO.	DESCRIPTION OF PART	NO. REQ.
28	28-28-1565	Diaphragm	(1)
29	32-02-3020	Armature Gear	(1)
30	02-04-0910	Ball Bearing	(1)
31	32-75-3030	Spindle Gear	(1)
32	28-50-6190	Spindle Housing	(1)
33	06-95-0365	10-14 x 1-3/8" Pan Hd. Thread Form Screw	(4)
34	38-50-5330	Spindle Shaft	(1)
35	02-04-1230	Ball Bearing	(1)
36	34-80-2600	Internal Retaining Ring	(1)
37	06-42-0400	Woodruff Key	(1)
38	43-34-0195	Inner Wheel Flange	(1)
39	49-12-0280	Wheel Guard	(1)
40	—	3" Grinding Wheel (Select From Catalog)	(1)
41	43-34-0190	Outer Wheel Flange	(1)
42	06-55-2475	3/8 - 24 Hex Nut	(1)