



SERVICE PARTS LIST

**BULLETIN NO.
54-22-1062**

SPECIFY CATALOG NO. AND SERIAL NO. WHEN ORDERING PARTS		REVISED BULLETIN	DATE
3" STRAIGHT GRINDER		54-22-1061	July'93
CATALOG NO. 5211	STARTING SERIAL NO. 676A	WIRING INSTRUCTION 58-01-0301	



EXAMPLE:

Component Parts (Small #) Are Included
When Ordering The Assembly (Large #).

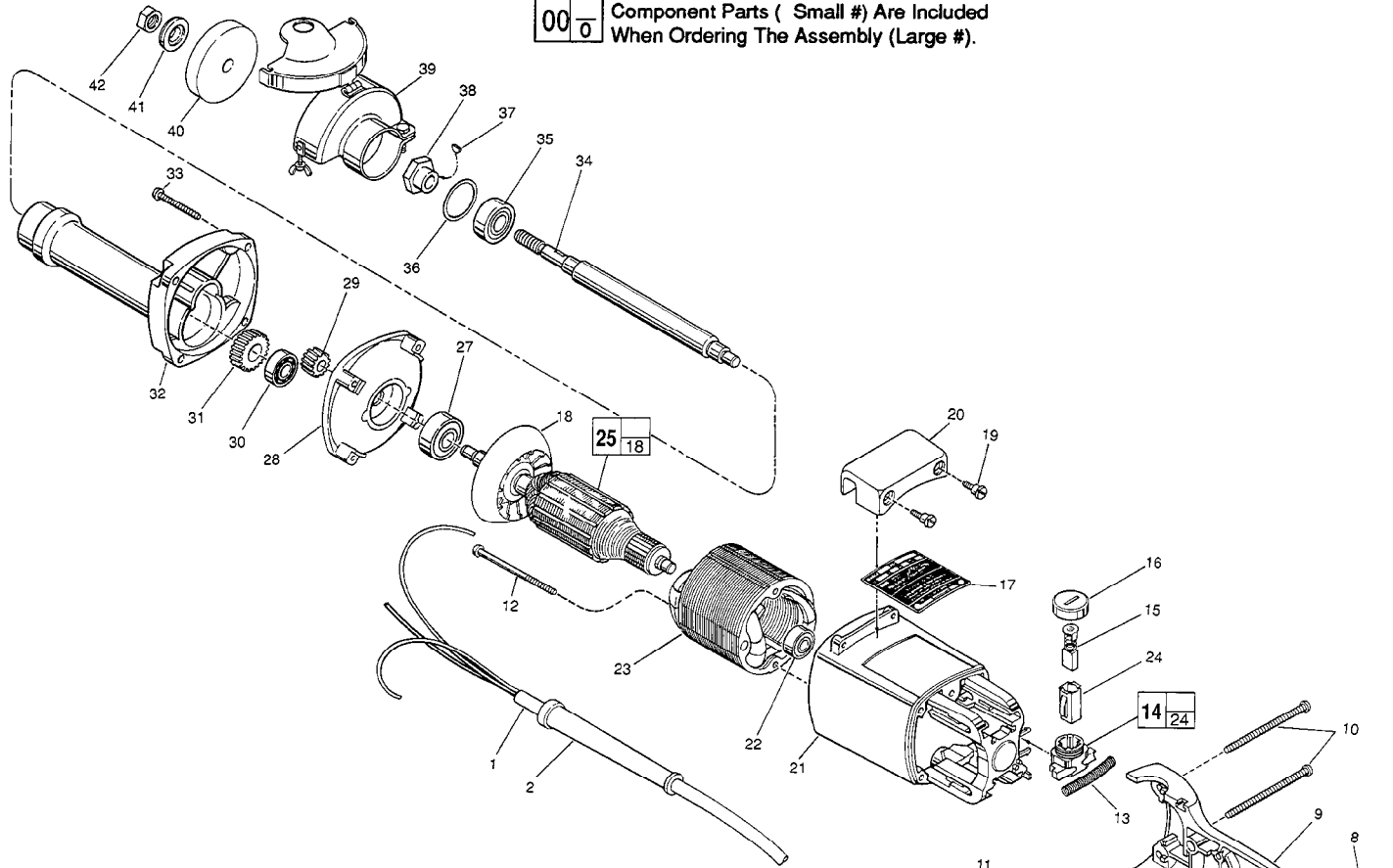


FIG. PART NO.	DESCRIPTION OF PART	NO. REQ.
1	22-64-0121 Cord Set	(1)
2	44-76-0050 Cord Protector	(1)
3	31-44-1115 Left Handle Half	(1)
4	06-55-1050 10-24 Hex Nut	(5)
★ 5	05-78-0305 Switch Screw T-15	(4)
★ 6	23-66-1805 Switch	(1)
7	06-82-7409 8-16 x 1/2" Pan Hd. Plast. T-20	(1)
8	06-82-2568 10-24 x 7/8" Slit. Pan Hd. T-25	(3)
★ 9	31-44-1710 Right Handle Half	(1)
10	06-82-2598 10-24 x 2-3/4" Slit. Pan Hd. T-25	(2)
11	42-38-0190 Bumper	(1)
12	06-82-7375 8-16 x 2-1/2" Taptite T-20	(2)
13	40-50-7770 Brush Holder Spring	(2)
14	22-22-1325 Brush Holder Assembly	(2)
15	22-18-0680 Carbon Brush Assembly	(2)
16	23-44-0210 Brush Retaining Screw	(2)
★ 17	12-20-0170 Service Nameplate Kit	(1)
18	22-84-0710 Fan	(1)
★ 19	45-04-0720 Shoulder Screw	(2)
20	31-70-0125 Tool Rest	(1)
★ 21	31-50-0541 Motor Housing	(1)
22	02-04-0845 Ball Bearing	(1)
23	18-50-0090 120 Volt Field	(1)
24	22-20-0660 Brush Tube	(2)
25	16-50-0130 120 Volt Armature	(1)
★ 27	02-04-1229 Ball Bearing	(1)
28	28-28-1565 Diaphragm	(1)
29	32-02-3020 Armature Gear	(1)
30	02-04-0910 Ball Bearing	(1)

FIG. PART NO.	DESCRIPTION OF PART	NO. REQ.
31	32-75-3030 Spindle Gear	(1)
32	28-50-6190 Spindle Housing	(1)
33	06-82-7407 10-14 x 1-9/16" Pan Hd. T-25	(4)
34	38-50-5330 Spindle Shaft	(1)
★ 35	02-04-1229 Ball Bearing	(1)
36	34-80-2600 Internal Retaining Ring	(1)
37	06-42-0400 Woodruff Key	(1)
38	43-34-0195 Inner Wheel Flange	(1)
39	49-12-0280 Wheel Guard	(1)
40	3" Grinding Wheel(Select from Catalog)	(1)
41	43-34-0190 Outer Wheel Flange	(1)
42	06-55-2475 3/8 - 24 Hex Nut	(1)
	22-56-0456 Terminal Block	(1)
	49-96-4050 9/16" Open End Wrench	(1)
	49-96-4075 1"Open End Wrench	(1)

FIG. LUBRICATION
31 3/4 Oz. Type "D" Grease, No. 49-08-4110.

MILWAUKEE ELECTRIC TOOL CORPORATION
13135 W. LISBON RD., BROOKFIELD, WI 53005