



# SERVICE PARTS LIST

BUL. 54-22-2036

## 4" GRINDER

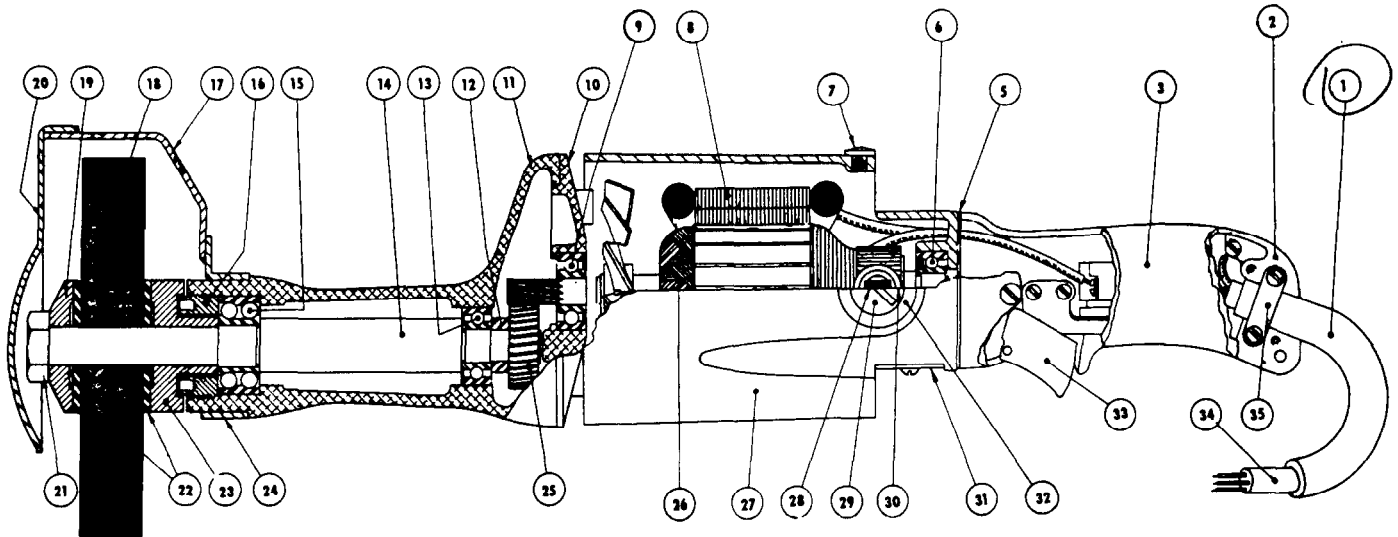
REVISED BUL 674-7 DATE April '68

Catalog No. 5200

Starting Serial No. 74-2310

WIRING INSTR. 58-01-0310

Both Model and Serial No. must be furnished to obtain correct parts.



230 Volt  
16-86-1530 Armature  
18-86-1100 Field

### ILLUSTRATED PARTS

FIG.	PART NO.	DESCRIPTION OF PART
2	28-44-1041	Handle (Switch Mounting Side)
3	28-44-9081	Handle (Switch Cover Side)
5	43-86-0050	Handle Insulator
6	02-04-1070	Ball Bearing (Comm. End)
7	06-77-1400	Drive Screw Tool Rest Button
*8	18-82-1110	Field Assembly
9	02-04-1260	Ball Bearing (Pinion End)
10	28-28-0421	Diaphragm
11	28-50-7601	Spindle Housing
12	45-36-0220	Spindle Gear Spacer
13	02-04-1520	Ball Bearing
14	38-50-2051	Spindle
15	02-20-1720	Ball Bearing
16	44-40-0180	Bearing Lock Nut
17	43-54-0100	4" Guard Assembly
18	49-92-1140	31H Grit Grinding Wheel
	49-92-1160	46 Grit Grinding Wheel
	49-92-1180	60 Grit Grinding Wheel

FIG.	PART NO.	DESCRIPTION OF PART
19	43-34-0050	Outer Wheel Flange
20	See Fig. 17	Sold only as an assembly
21	06-55-2850	1/2-13 Spindle Nut
22	45-88-0190	Rubber Flange Washer (2)
23	43-34-0070	Inner Wheel Flange
24	See Fig. 17	Sold only as an assembly
25	32-75-2201	Spindle Gear
26	16-82-1660	Armature Assembly
27	28-50-4562	Motor Housing (Includes item 32 & screws)
*28	22-18-0260	Carbon Brush Assembly (2)
29	23-44-0065	Brush Retaining Cap (2)
30	22-22-0130	Brush Holder Assembly (2)
31	44-66-0100	Commutator Cover Plate
32	22-24-0100	Steel Brush Holder Bushing (2)
33	23-66-0250	Switch Assembly
34	22-64-0090	Cord Set
35	28-17-0200	Cord Clamp Strap

### MISCELLANEOUS PARTS NOT SHOWN

PART NO.	DESCRIPTION OF PART
28-79-0241	Tool Rest
48-03-0010	Adapter Plug
*12-98-3500	Name Plate
23-86-0130	Insulating Washer (2)
06-81-6150	8-32x1/2 Fil. Hd. Cord Clamp Sem (2)
06-81-7150	10-24x1-3/8 Fil. Hd. Spindle Housing Sem (4)
06-81-3750	8-32x1 Oval Hd. Handle Cover Screw
06-81-3700	8-32x7/8 Oval Hd. Handle Cover Screw (2)
06-81-7550	12-24x3/4 Fil. Hd. Switch Handle Screw (4)

PART NO.	DESCRIPTION OF PART
06-83-2650	1/4-20x3/8 Hd'less Brush Holder Set Screw (2)
06-81-9200	10-24x1-1/2 Rd. Hd. Field Screw (2)
06-81-8625	6-32x1/4 Rd. Hd. Grounding Sem
06-81-8200	4-36x3/16 Rd. Hd. Name Plate Sem (2)
06-81-8650	6-32x1/4 Rd. Hd. Comm. Cover Plate Sem (2)
06-81-6950	10-24x1/2 Fil. Hd. Tool Rest Sem (2)
06-81-5400	8-32x5/16 Binder Hd. Switch Mtg. Sem (2)
06-42-2000	Woodruff Key
*06-97-1800	Lock Washer (4)