



SERVICE PARTS LIST

BUL. 54-22-1001

DIE GRINDER

REVISED BUL. 54-22-1000 DATE Dec. '78

Catalog No. 5195

Starting Serial No. **525-4700**

WIRING INSTRUCTIONS 58-01-0506

Specify Catalog and Serial No. when ordering parts

14,500 R.P.M.
9 AMPS

FOR CAT. NO. 5195-2 (240V) TOOL USE:

16-66-1202 ARMATURE
18-66-1037 FIELD
22-64-4000 CORD SET

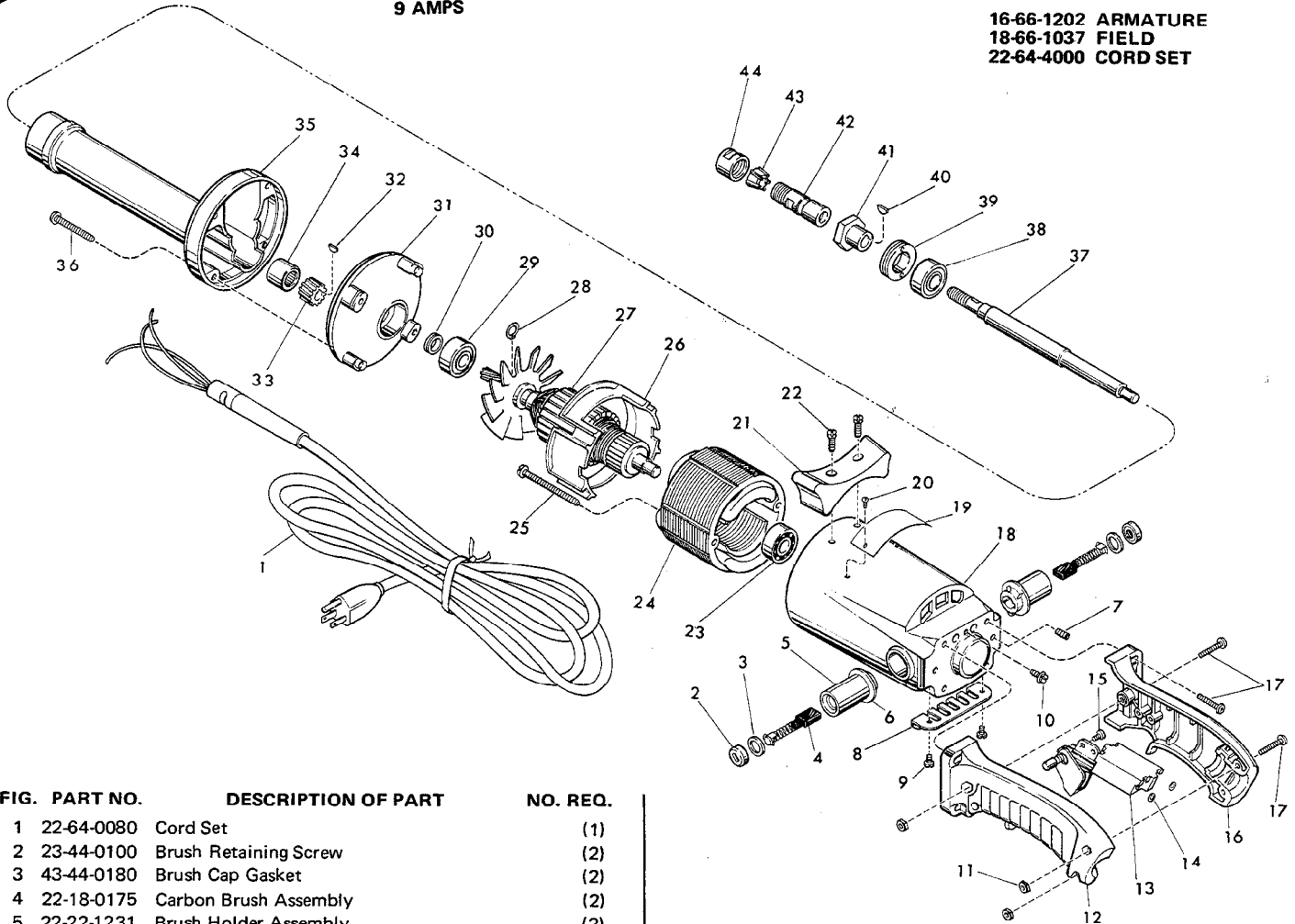


FIG.	PART NO.	DESCRIPTION OF PART	NO. REQ.
	1	22-64-0080 Cord Set	(1)
	2	23-44-0100 Brush Retaining Screw	(2)
	3	43-44-0180 Brush Cap Gasket	(2)
	4	22-18-0175 Carbon Brush Assembly	(2)
	5	22-22-1231 Brush Holder Assembly	(2)
	6	23-86-0075 Insulating Washer	(2)
	7	06-83-2000 10-24x1/4 Set Screw	(2)
	8	44-66-0230 Commutator Cover Plate	(1)
	9	06-81-8650 6-32x1/4 Rd. Hd. Sem	(2)
★	10	06-81-8800 8-32x1/4" Rd. Hd. Sem	(1)
	11	06-55-1000 10-24 Hex Nut	(3)
	12	31-44-0590 Left Handle Half	(1)
	13	23-66-0255 Switch	(1)
	14	06-97-1800 Lock Washer	(4)
	15	06-95-0215 8-18x1/2 Pan Hd. Thread Form Screw	(1)
	16	31-44-0580 Right Handle Half	(1)
	17	06-81-4207 10-24x7/8 Phillips Pan Hd. Screw	(7)
★	18	28-50-5101 Motor Housing	(1)
	19	12-99-0032 Nameplate Blank	(1)
	20	06-85-0200 Nameplate Screw	(2)
	21	28-79-0321 Tool Rest	(1)
	22	06-81-6950 10-24x1/2 Fil. Hd. Sem	(2)
	23	02-04-0970 Ball Bearing	(1)
★	24	18-62-1037 120V Field	(1)
	25	06-81-8950 8-32x2-1/4 Rd. Hd. Sem	(2)
	26	31-05-0100 Baffle	(1)
★	27	16-62-1202 120V Armature (Includes Fig. No. 28)	(1)
	28	34-60-0900 Retaining Ring	(1)

FIG.	PART NO.	DESCRIPTION OF PART	NO. REQ.
	29	02-04-1270 Ball Bearing	(1)
	30	45-28-0060 Grease Slinger	(1)
	31	28-28-0981 Diaphragm	(1)
	32	06-42-0450 Key No. 202.5	(1)
	33	32-40-1750 Spindle Gear	(1)
	34	02-50-3200 Needle Bearing	(1)
	35	28-50-7701 Spindle Housing	(1)
	36	06-81-7150 10-24x1-3/8 Fil. Hd. Sem	(4)
	37	38-50-5100 Spindle Shaft	(1)
	38	02-04-1200 Ball Bearing	(1)
	39	44-40-0410 Bearing Lock Nut — L.H. Thread	(1)
	40	06-42-0400 Key No. 202	(1)
	41	43-34-0170 Collet Flange	(1)
	42	42-77-0070 Collet Body	(1)
	43	48-66-0970 1/4" Dia. Collet	(1)
	44	44-40-0430 Collet Nut	(1)
	45	12-98-7066 Caution Plate (Not Shown)	(1)
	46	49-96-4040 1/2" Open End Wrench (Not Shown)	(1)
	47	49-96-4065 5/8" Open End Wrench (Not Shown)	(1)
	48	49-96-4075 1" Open End Wrench (Not Shown)	(1)
	49	23-48-7378 3" Insulating Sleeve (Not Shown)	(2)