



SERVICE PARTS LIST

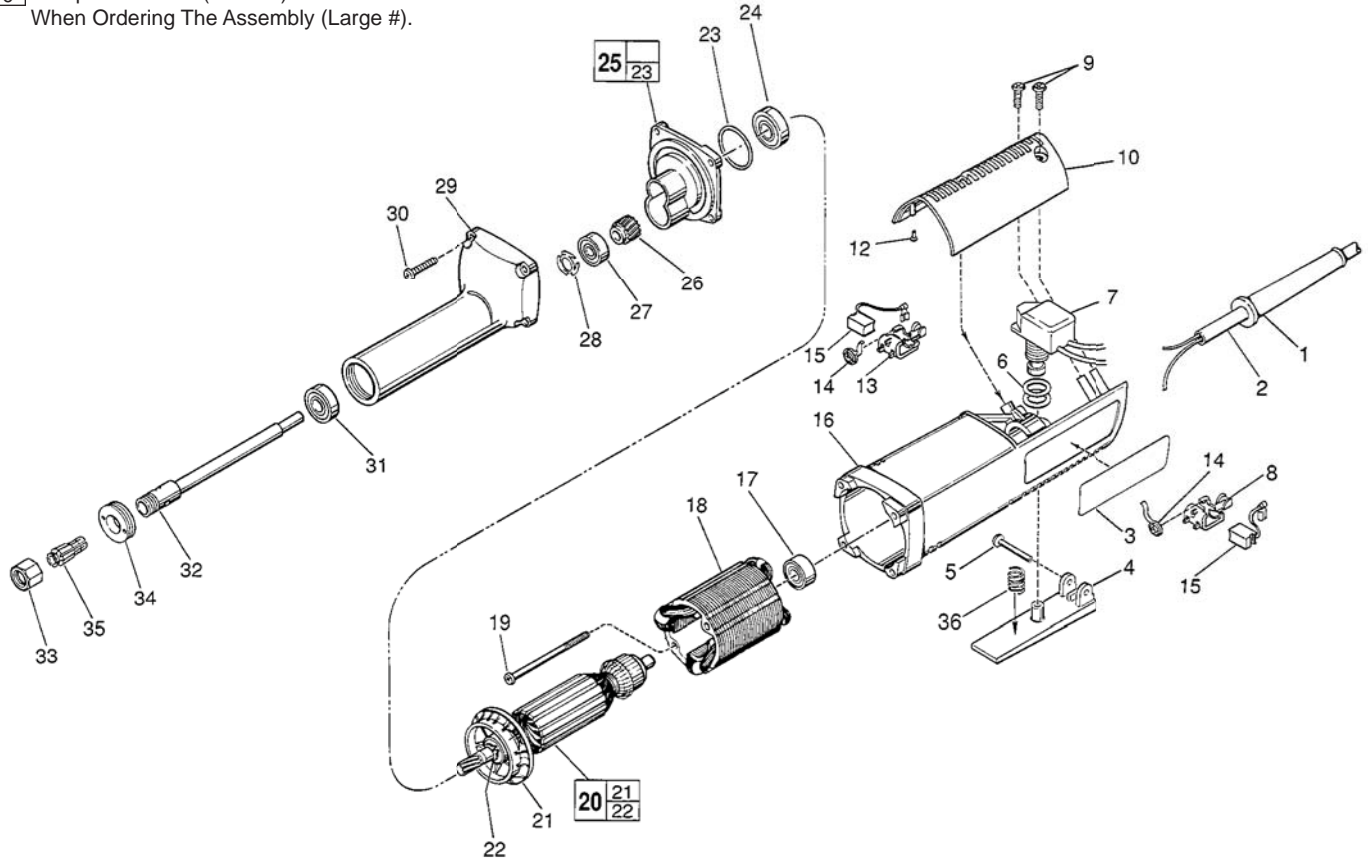
BULLETIN NO.
54-22-1263

| SPECIFY CATALOG NO. AND SERIAL NO. WHEN ORDERING PARTS | | REVISED BULLETIN | DATE |
|--|-------------|---------------------------|-----------|
| D. I. DIE GRINDER | | 54-22-1262 | Oct. 2012 |
| CATALOG NO. | 5194 | WIRING INSTRUCTION | |
| STARTING SERIAL NO. | 803D | 58-01-0309 | |

EXAMPLE:

| | |
|----|---|
| 00 | 0 |
|----|---|

 Component Parts (Small #) Are Included
 When Ordering The Assembly (Large #).



| FIG. | PART NO. | DESCRIPTION OF PART | NO. REQ. |
|------|------------|---|----------|
| 1 | 44-76-0130 | Cord Protector | (1) |
| 2 | 22-64-0215 | Cord Set | (1) |
| 3 | 12-20-0910 | Service Nameplate Kit | (1) |
| 4 | 31-92-0112 | Trigger | (1) |
| 5 | 06-72-0815 | Tapered Rivet | (1) |
| 6 | 34-40-4015 | O-Ring | (2) |
| 7 | 23-66-2171 | Switch | (1) |
| 8 | 22-20-0691 | Left Brush Holder | (1) |
| 9 | 06-82-7270 | 8-16 x 5/8" Pan Hd. T-20 Plastite Screw | (3) |
| 10 | 31-15-0143 | Motor Housing Cover | (1) |
| 12 | 42-38-0181 | Rubber Bumper | (2) |
| 13 | 22-20-0692 | Right Brush Holder | (1) |
| 14 | 23-52-0240 | Brush Spring | (2) |
| 15 | 22-18-0710 | Carbon Brush | (2) |
| ★16 | 31-50-0426 | Motor Housing | (1) |
| 17 | 02-04-0845 | Ball Bearing | (1) |
| 18 | 18-07-0100 | 120 Volt Field | (1) |
| 19 | 06-82-7375 | 8-16 x 2-1/2" Pan Hd. Plast. T-20 Screw | (2) |

| FIG. | PART NO. | DESCRIPTION OF PART | NO. REQ. |
|------|------------|---|----------|
| 20 | 16-07-0100 | 120 Volt Armature | (1) |
| 21 | 22-84-0680 | Fan | (1) |
| 22 | 34-60-0920 | Ball Brg. Retaining Ring | (1) |
| 23 | 34-40-4210 | O-Ring | (1) |
| 24 | 02-04-1207 | Ball Bearing | (1) |
| 25 | 28-28-1905 | Diaphragm Assembly | (1) |
| 26 | 32-75-2880 | Spindle Gear | (1) |
| 27 | 02-04-0845 | Ball Bearing | (1) |
| 28 | 45-88-7550 | Finger Washer | (1) |
| 29 | 28-50-7718 | Spindle Housing | (1) |
| ★30 | 06-82-7296 | 7-18 x 1" Pan Hd. Slit. Plast. T-20 Screw | (4) |
| 31 | 02-04-1005 | Ball Bearing | (1) |
| 32 | 38-50-5211 | Spindle Shaft | (1) |
| 33 | 48-68-0031 | 1/4" Collet Nut | (1) |
| 34 | 44-40-0490 | Bearing Lock Nut | (1) |
| 35 | 48-66-0975 | 1/4" Collet | (1) |
| 36 | 40-50-1300 | Spring | (1) |
| | 49-96-4040 | 1/2" Open End Wrench (Not Shown) | (1) |
| | 49-96-4090 | 11/16" Open End Wrench (Not Shown) | (1) |

FIG. LUBRICATION

29 1/4 Oz. Type "D" Grease, No. 49-08-4110.