



SERVICE PARTS LIST

BULLETIN NO.
55-22-1023

SPECIFY CATALOG NO. AND SERIAL NO. WHEN ORDERING PARTS		REVISED BULLETIN	DATE
D. I. DIE GRINDER			May '91
CATALOG NO. 5192-2	STARTING SERIAL NO. 669-1001	WIRING INSTRUCTION	
		58-01-0306	

EXAMPLE:

 Component Parts (Small #) Are Included
When Ordering The Assembly (Large #).

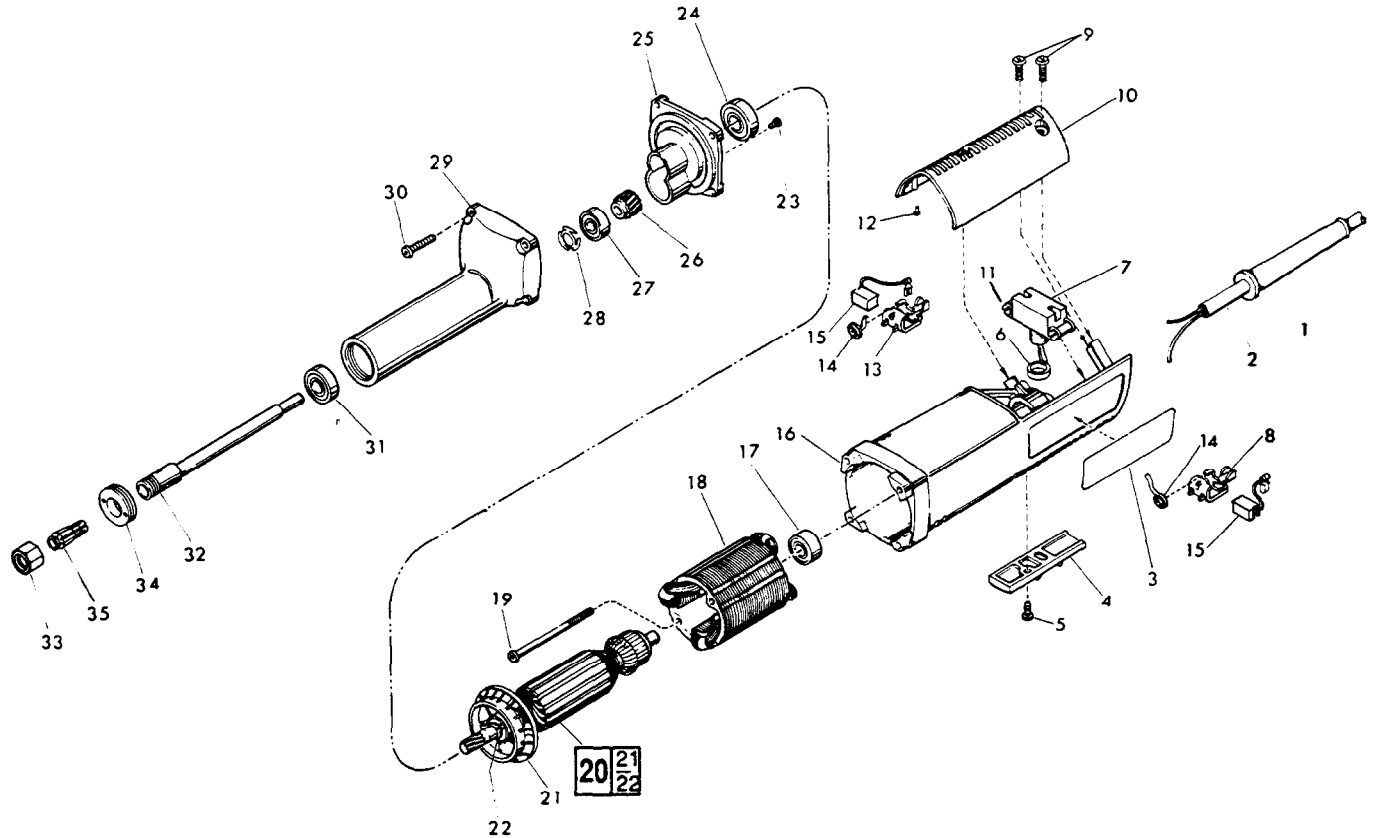


FIG.	PART NO.	DESCRIPTION OF PART	NO. REQ.
1	44-76-0130	Cord Protector	(1)
2	22-64-0235	Cord Set	(1)
3	12-65-0404	Service Nameplate	(1)
4	31-55-0155	Trigger Cover	(1)
5	06-82-7409	8-16 x 1/2" Pan Hd. Torx Plastite Screw	(1)
6	44-90-4245	Rubber Ring	(1)
7	23-66-1190	Switch	(1)
8	22-20-0691	Left Brush Holder	(1)
9	06-82-7270	8-16 x 5/8" Pan Hd. Stt. Torx Plast. Scr.	(3)
10	31-15-0142	Motor Housing Cover	(1)
11	06-95-0125	Switch Terminal Screw	(2)
12	42-38-0181	Rubber Bumper	(2)
13	22-20-0592	Right Brush Holder	(1)
14	23-52-0240	Brush Spring	(2)
15	22-18-0750	Carbon Brush	(2)
16	31-50-0425	Motor Housing	(1)
17	02-04-0845	Ball Bearing	(1)
18	18-06-0100	240 Volt Field	(1)
19	06-82-7375	8-16x2-1/2" Pan Hd. Torx Plastite Screw	(2)

FIG.	PART NO.	DESCRIPTION OF PART	NO. REQ.
20	16-06-0100	240 Volt Armature	(1)
21	22-84-0680	Fan	(1)
22	34-60-0920	Ball Brg. Retaining Ring	(1)
23	06-95-0110	6-32x5/16" Taptite Screw	(2)
24	02-04-1201	Ball Bearing	(1)
25	28-28-1540	Diaphragm	(1)
26	32-75-2880	Spindle Gear	(1)
27	02-04-0845	Ball Bearing	(1)
28	45-88-7550	Finger Washer	(1)
29	28-50-7720	Spindle Housing	(1)
30	06-82-7299	8-16x7/8" Pan Hd. Stt. Torx Plast. Scr.	(4)
31	02-04-1005	Ball Bearing	(1)
32	38-50-5210	Spindle Shaft	(1)
33	48-68-0030	1/4" Collet Nut	(1)
34	44-40-0490	Bearing Lock Nut	(1)
35	48-66-0975	1/4" Collet	(1)
	49-96-4040	1/2" Open End Wrench	(1)
	49-96-4090	11/16" Open End Wrench	(1)

FIG. LUBRICATION

29 1/4 Oz. Type "D" Grease, No. 49-08-4110.

MILWAUKEE ELECTRIC TOOL CORPORATION
13135 W. LISBON RD., BROOKFIELD, WI 53005