

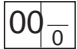


SERVICE PARTS LIST

BULLETIN NO.
54-22-1027

SPECIFY CATALOG NO. AND SERIAL NO. WHEN ORDERING PARTS			
D. I. DIE GRINDER			
CATALOG NO.	5192	STARTING SERIAL NO.	669D
			REVISED BULLETIN 54-22-1026 DATE Oct. 2012 WIRING INSTRUCTION 58-01-0309

EXAMPLE:

 Component Parts (Small #) Are Included When Ordering The Assembly (Large #).

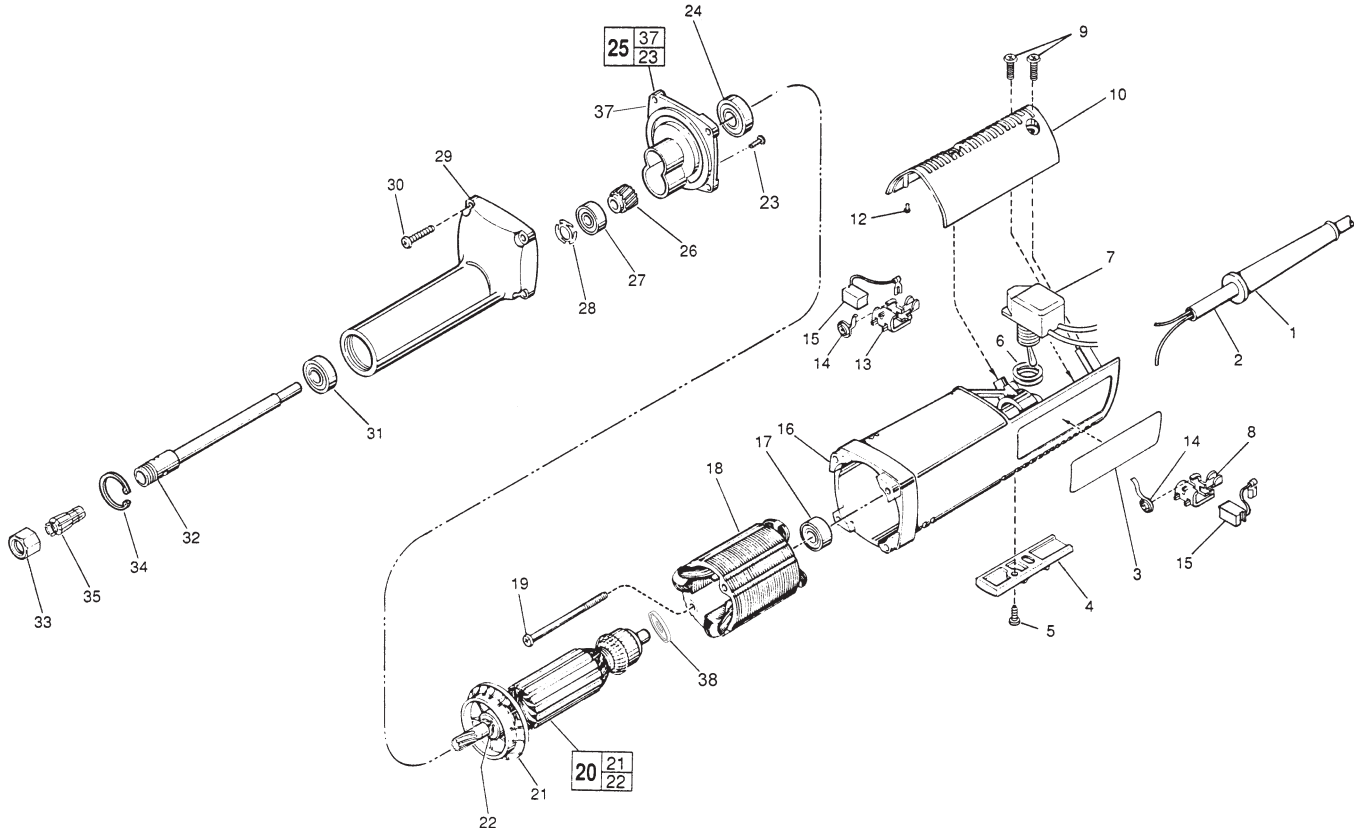


FIG.	PART NO.	DESCRIPTION OF PART	NO. REQ.	FIG.	PART NO.	DESCRIPTION OF PART	NO. REQ.
1	44-76-0130	Cord Protector	(1)	20	16-07-0100	120 Volt Armature	(1)
2	22-64-0215	Cord Set	(1)	21	22-84-0680	Fan	(1)
3	12-20-0900	Service Nameplate Kit	(1)	22	34-60-0920	Ball Brg. Retaining Ring	(1)
4	31-55-0156	Trigger Cover	(1)	★ 23	06-82-5275	Pan Head Screw	(2)
5	06-82-7409	8-16 x 1/2" Pan Hd. Plastite T-20 Screw	(1)	24	02-04-1207	Ball Bearing	(1)
6	34-40-4015	O-Ring	(2)	★ 25	28-28-1906	Diaphragm Service Kit	(1)
7	23-66-2190	Switch	(1)	26	32-75-2880	Spindle Gear	(1)
8	22-20-0691	Left Brush Holder	(1)	27	02-04-0845	Ball Bearing	(1)
9	06-82-7270	8-16 x 5/8" Pan Hd. Slit. Plastite T-20 Scr.	(3)	28	45-88-7550	Finger Washer	(1)
10	31-15-0143	Motor Housing Cover	(1)	★ 29	28-50-7722	Spindle Housing	(1)
12	42-38-0181	Rubber Bumper	(2)	30	06-82-7296	7-18 x 1" Pan Hd. Slit. Plastite T-20 Scr.	(4)
13	22-20-0692	Right Brush Holder	(1)	31	02-04-1005	Ball Bearing	(1)
14	23-52-0240	Brush Spring	(2)	32	38-50-5211	Spindle Shaft	(1)
15	22-18-0710	Carbon Brush	(2)	33	48-68-0031	1/4" Collet Nut	(1)
16	31-50-0426	Motor Housing	(1)	34	34-80-5090	Retaining Ring	(1)
17	02-04-0845	Ball Bearing	(1)	35	48-66-0975	1/4" Collet	(1)
18	18-07-0100	120 Volt Field	(1)	★ 36	28-28-1901	Diaphragm	(1)
19	06-82-7375	8-16 x 2-1/2" Pan Hd. Plastite T-20 Scr.	(2)	★ 38	23-16-1670	Commutator Insulator	(1)
					49-96-4040	1/2" Open End Wrench	(1)
					49-96-4090	11/16" Open End Wrench	(1)

FIG. LUBRICATION

★ 29 1/4 Oz. Type "G" Grease, No. 49-08-4140.