



# SERVICE PARTS LIST

**BULLETIN NO.**  
**54-22-1022**

SPECIFY CATALOG NO. AND SERIAL NO. WHEN ORDERING PARTS		REVISED BULLETIN	DATE
<b>D. I. DIE GRINDER</b>		54-22-1021	Oct. 2012
<b>CATALOG NO.</b>	<b>5192</b>	<b>WIRING INSTRUCTION</b>	
	<b>STARTING SERIAL NO.</b>	<b>58-01-0306</b>	
<b>CAT. NO.</b>	<b>5192-7</b>	<b>START SER. NO.</b>	<b>669-01125</b>
		<b>BILINGUAL LABEL</b>	<b>10-98-6115</b>

**EXAMPLE:**  

00	0
----	---

 Component Parts (Small #) Are Included When Ordering The Assembly (Large #).

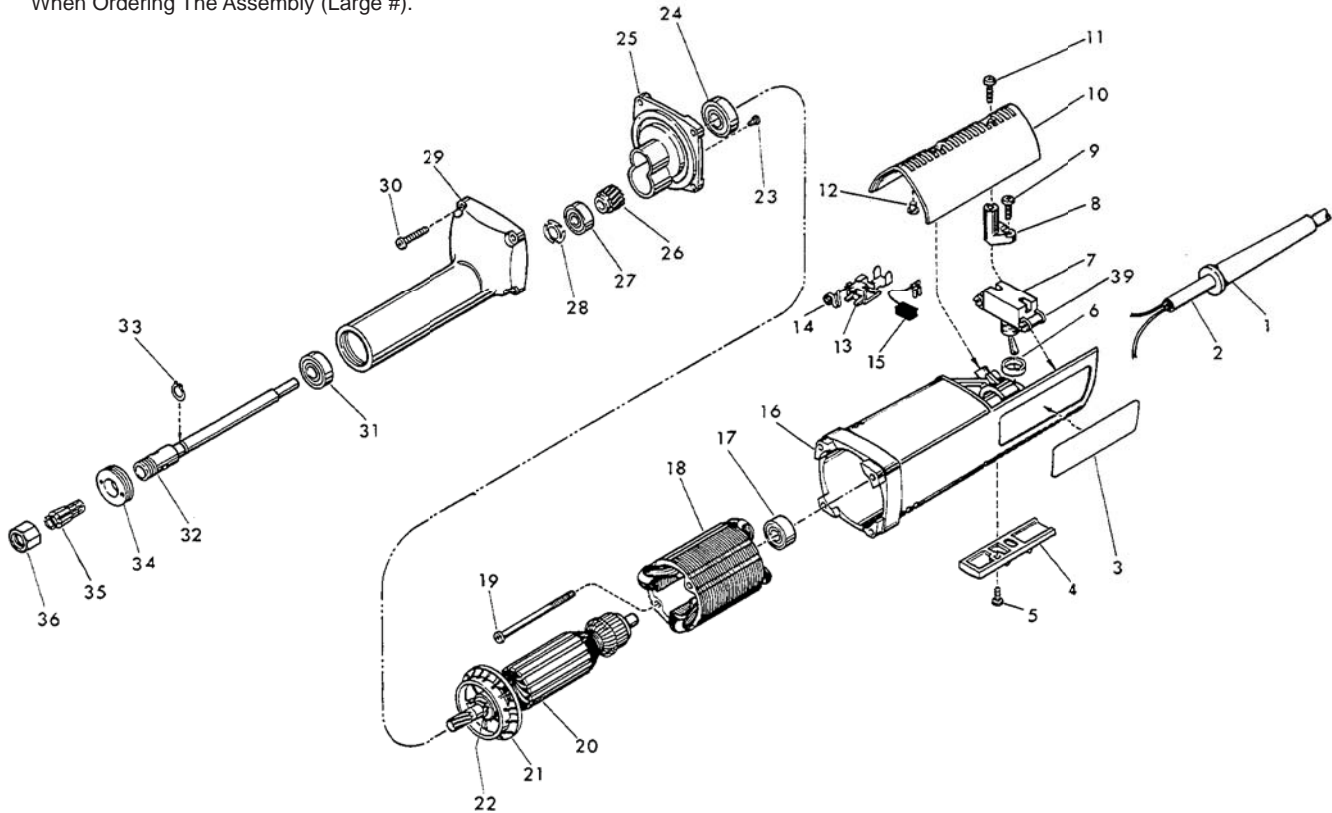


FIG.	PART NO.	DESCRIPTION OF PART	NO. REQ.
1	44-76-0110	Cord Protector	(1)
2	22-64-0215	Cord Set	(1)
★ 3	12-65-0404	Service Nameplate	(1)
	12-65-0403	Service Nameplate - Canadian	(1)
4	31-55-0155	Trigger Cover	(1)
5	06-95-0205	8-16 x 1/2" Pan Hd. Plastite Screw	(1)
6	44-90-4245	Rubber Ring	(1)
7	23-66-1190	Switch	(1)
8	31-17-0120	Cord Clamp	(1)
9	06-95-0216	8-16 x 5/8" Plastite Screw	(2)
10	31-15-0140	Motor Housing Cover	(1)
	31-15-0290	Motor Housing Cover - Canadian	(1)
11	06-95-0216	8-16 x 5/8" Plastite Screw	(2)
12	42-38-0180	Rubber Bumper	(2)
★ 13	22-20-0690	Brush Holder	(2)
★ 14	23-52-0240	Brush Spring	(2)
★ 15	22-18-0710	Carbon Brush	(2)
16	31-50-0420	Motor Housing	(1)
17	02-04-0845	Ball Bearing	(1)
★ 18	18-07-0100	120 Volt Field	(1)
19	06-82-0218	8-16 x 2-1/2" Pan Hd. Plastite Screw	(2)

FIG.	PART NO.	DESCRIPTION OF PART	NO. REQ.
★ 20	16-07-0100	120 Volt Armature	(1)
21	22-84-0680	Fan	(1)
22	34-60-2345	Ball Brg. Retaining Ring	(1)
23	06-95-0110	6-32 x 5/16" Pan Head Taptite Screw	(2)
24	02-04-1207	Ball Bearing	(1)
25	28-28-1540	Diaphragm	(1)
26	32-75-2880	Spindle Gear	(1)
27	02-04-0845	Ball Bearing	(1)
28	45-88-7550	Finger Washer	(1)
29	28-50-7720	Spindle Housing	(1)
30	06-95-0219	8-16 x 7/8" Pan Hd. Slit. Plastite Screw	(4)
31	02-04-1005	Ball Bearing	(1)
32	38-50-5210	Spindle Shaft	(1)
33	34-60-2340	Ball Bearing Retaining Ring	(1)
34	44-40-0490	Bearing Lock Nut	(1)
35	48-66-0975	1/4" Collet	(1)
36	48-68-0030	1/4" Collet Nut	(1)
37	49-96-4040	1/2" Open End Wrench (Not Shown)	(1)
38	49-96-4090	11/16" Open End Wrench (Not Shown)	(1)
39	06-95-0125	Switch Terminal Screw	(2)

**FIG. LUBRICATION**

29 1/4 Oz. Type "G" Grease, No. 49-08-4140.