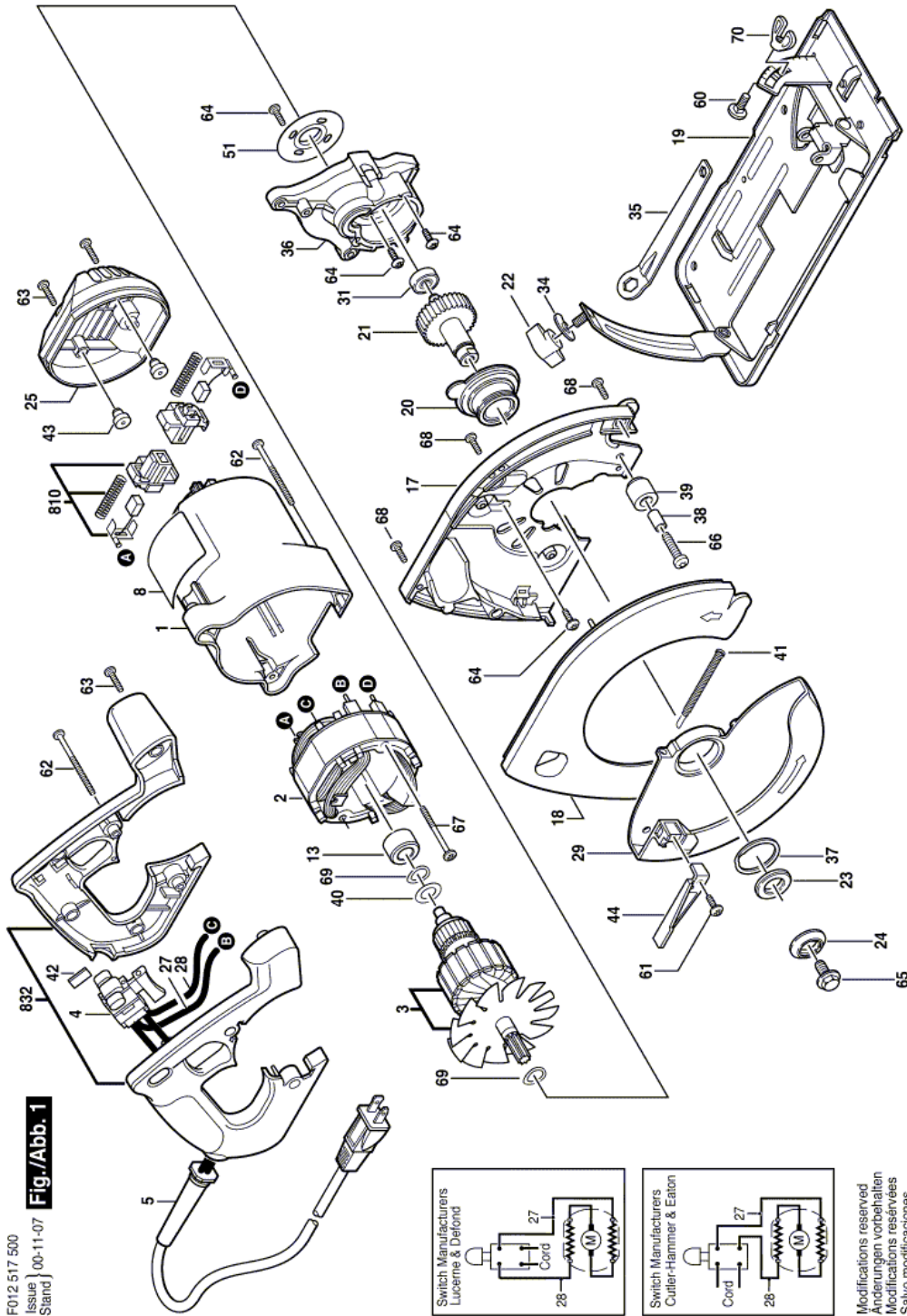
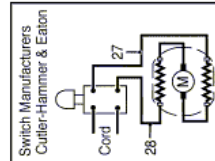
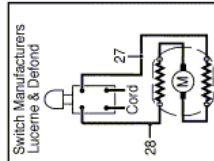


Item	Part Number	Description	Illustration	Price	Quantity
1	2 610 968 308	Motor Housing		1,-	1
2	2 610 341 367	Field 120V		1,-	1
3	2 610 968 412	Armature 120V		1,-	1
4	2 610 347 481	On-Off Switch		1,-	1
5	2 610 996 607	Power supply cord		1,-	1
8	2 610 968 439	Nameplate		1,-	1
13	2 610 921 176	Spare Part		1,-	1
17	2 610 968 426	Front Housing		1,-	1
18	2 610 999 054	Front Housing		1,-	1
19	2 610 993 167	Base Plate		1,-	1
20	2 610 968 650	Bearing Flange		1,-	1
21	2 610 992 588	Spindle With Gear		1,-	1
22	2 610 917 567	Knob		1,-	1
23	2 610 968 319	Plain Washer		1,-	1
24	2 610 968 320	Special Washer		1,-	1
25	2 610 968 309	Sealing cap		1,-	1
27	2 610 990 839	Connecting Cable L = 375 MM		1,-	1
28	2 610 990 840	Connecting Cable L = 250 MM		1,-	1
29	2 610 968 317	Pivoting Blade Guard		1,-	1
31	1 619 P01 511	Ball Bearing		1,-	1
34	2 610 993 171	Pointer		1,-	1
35	2 610 968 670	Box Wrench		1,-	1
36	2 610 968 683	Gear Housing		1,-	1
37	2 610 341 359	Spring retaining ring		1,-	1
38	2 610 341 366	Spacer		1,-	1
39	2 610 341 394	End stop		1,-	1
40	2 610 917 567	Knob		1,-	1
41	2 610 968 416	Extension Spring		1,-	1
42	2 610 347 892	Spacer		1,-	1
43	2 610 350 655	Rubber Buffer		1,-	2
44	2 610 968 855	Lever		1,-	1
51	2 610 990 808	Heat Sink		1,-	1

Item	Part Number	Description	Illustration	Price	Quantity	P
61	2 610 328 924	Screw		1	-,-	1
62	2 610 968 438	Screw		1	-,-	3
63	1 619 P01 505	Screw		1	-,-	6
64	2 610 990 818	Hex Screw		1	-,-	8
65	1 619 X00 935	Hex Screw		1	-,-	1
66	2 610 347 100	Screw		1	-,-	1
67	2 610 347 103	Screw		1	-,-	2
68	2 610 992 551	Tapping Screw		1	-,-	4
69	2 610 313 808	Plain Washer		1	-,-	2
70	2 610 029 562	Wing Nut		1	-,-	1
810	2 610 994 000	Brush Holder		1	-,-	1
832	2 610 993 238	Handle		1	-,-	1



F012 517 500
 Issue } 00-11-07
 Stand } **Fig./Abb. 1**



Modifications reserved
 Änderungen vorbehalten
 Modifications réservées
 Salvo modificaciones