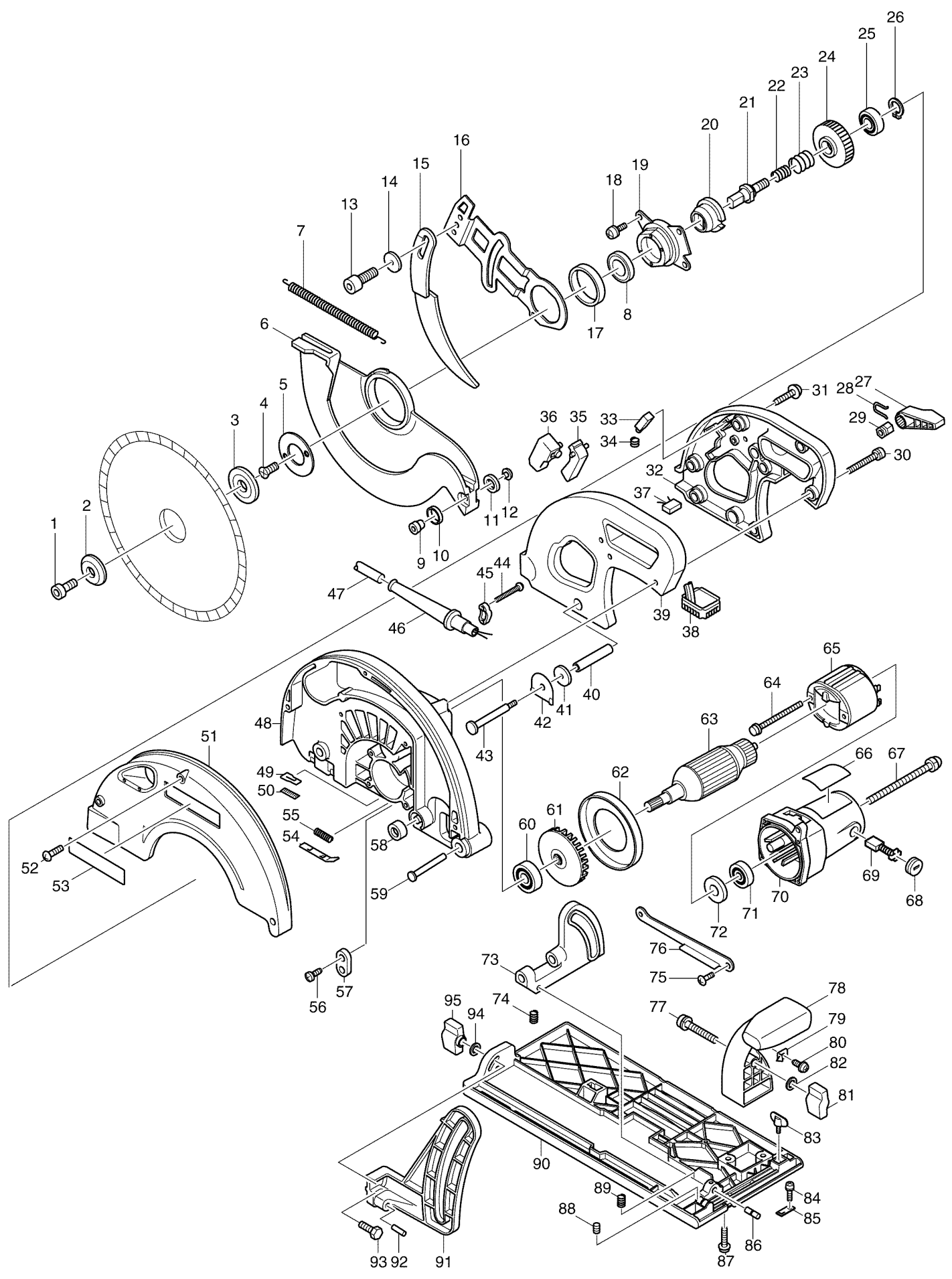


Partdrawing for 5103R - 270MM CIRCULAR SAW



No.	Part no.	Name
1	266083-2	HEX SOCKET HD BOLT M10X25 5103
10	415438-0	ROLLER 20 5903R/5603R/5604R
11	415438-0	ROLLER 20 5903R/5603R/5604R
12	415437-2	ROLLER PIN 6 5903R/5603R/5604R
13	922422-3	HEX SOCKET HD BOLT M8X16 3
14	267284-5	FLAT WASHER 8 DCS230T/5103R
15	345750-3	RIVING KNIFE 5103R
16	345752-9	RIVING KNIFE HOLDER 5103R
17	344303-5	THICKNESS RING 5103R
18	911223-4	*PAN HD SCREW 5X16 W/CP 10PK
19	316709-7	*BEARING BOX 5103R
2	224325-0	OUTER FLANGE 45 5103R
20	322830-2	*LOCK SLEEVE 5103R/5143R
21	322827-1	SPINDLE 5103R
22	231968-1	LOCK SPRING 27 5103R/5143R
23	231969-9	LOCK SPRING 20 5143R
24	226452-9	HELICAL GEAR 39 5103R
25	211104-5	BALL BEARING 6001 HM1300B/5103
26	961052-5	*EXT DIN 471 CIRCLIP-12 10PK
27	272230-5	LEVER 54 5903R/5603R/BSR730S
28	231955-0	RING SPRING 12
29	252134-7	VERY SPECIAL HEX NUT 5903R
3	224326-8	INNER FLANGE 45 5103R
30	911263-2	*PAN HDSCREW M5X40 W/CP 10PK
31	266041-8	*PT SCREW 5X25 10PK
32	182773-8	HANDLE SET 5103R/5143R
33	415440-3	LOCK-OFF BUTTON 5903R/5603R/51
34	231230-4	*COMPRESSION SPRING 4 5PK
35	415439-8	SWITCH LEVER 5903R/5603R/5143R
36	651923-1	SWITCH TG70B UC3530A/5903R
36	651938-8	SWITCH TG72B 110V BUC121/122
37	645105-5	NOISE SUPPRESSOR/CONDENSOR 645
37	645173-8	NOISE SUPPRESSOR 3901/5143R
37	645200-1	NOISE SUPPRESSOR HP1641/LC1230
38	631208-1	CONTROLLER 110V 5103R/5143R
38	631209-9	CONTROLLER 240V 5103R
39	182773-8	HANDLE SET 5103R/5143R
4	912222-9	*COUNTERSUNK SCREW M5X16 10PK
40	331469-0	PIPE 9 5103R/5143R
41	267216-2	*LARGE BLUE WASHER 8 BO370 5PK
42	232151-3	LEAF SPRING 5103R
43	266019-1	CAP SQUARE NECK BOLT M8X98 590
44	265995-6	*PT SCREW 4X18 10PK KP0810C
45	687052-4	STRAIN RELIEF BO5041/KP0810
45	687054-0	STRAIN RELIEF 9079F 110/LF100
46	682506-6	CORD GUARD 12-90 110V 9029
46	682540-6	CORD GUARD MT852/9049/2414
47	692527-0	LEAD WIRE HP1641/TD0101F/KP081

47	665550-8	POWER SUPPLY CORD 2.5-2-2.5
47	692117-9	POWER SUPPLY CORD 1.5-2-2.5
48	158090-8	BLADE CASE COMPLETE 5103R
49	443098-8	FELT 5103R/5143R
5	285681-3	'BEARING RETAINER 34-62 5103R
50	344263-1	'PLATE 5103R/5143R
51	316705-5	BLADE CASE COVER 5103R
52	266036-1	*CT SCREW M5X20 5903R 10PK
53	819084-5	MAKITA LABEL 5103R/HM1303B
54	344261-5	'SHAFT LOCK 5103R
55	233084-5	*COMPRESSION SPRING 6 10PK
56	266034-5	*CT SCREW M4X16 10PK
57	687053-2	STRAIN RELIEF 110V KP0810C/
58	262007-6	RUBBER RING 8 5143R/SR2600/590
59	268008-2	PIN 10 5103R
6	318062-7	SAFETY COVER 5103R
60	211236-8	BALL BEARING 6002DDW GA5020/21
61	241889-9	FAN 74 5103R/5143R
62	415768-9	BAFFLE PLATE 5103R/5143R
63	516651-4	ARMATURE ASSY 110V 5103R
63	516653-0	ARMATURE ASSY 240V 5103R
64	911944-8	*PAN HD SCREW M5X80 W/CP 5PK
65	596316-4	FIELD 110V 5103R
65	596318-0	FIELD ASS'Y 220-240V
66	857935-4	NAME PLATE 5103R
67	911288-6	*PAN HD SCREW M5X65 5103R 5PK
68	643700-5	BRUSH HOLDER CAP 7-18 HM1304
69	191953-5	CARBON BRUSH CB-203 3612C/2414
7	231841-5	TENSION SPRING 6 5103R
70	158628-9	'MOTOR HOUSING 110V 5103R/5143
70	158628-9	'MOTOR HOUSING 110V 5103R/5143
71	210042-8	BALL BEARING 629LLB BGA450
72	681633-6	INSULATION WASHER 5903R/3612/2
73	316779-6	ANGULAR PLATE 5103R
74	266039-5	*FT POINT GRUB SCREW M6X6 5PK
75	265028-7	*SHOULDER SCREW M4 5103R 5PK
76	152511-2	RINK COMPLETE 5103R
77	921477-5	HEX BOLT M8X55 5903R/LS800DWB
78	415722-3	'ANGULAR PLATE GUIDE 5103R
79	816128-2	INDICATION PLATE/POINTER LC123
8	211278-2	BALL BEARING 6203DDW RP0900/90
80	266020-6	*PT SCREW 4X12 9046 10PK
81	252626-6	*WING NUT M8 SR2600 5PK
82	941201-0	*FLAT WASHER 8 DIN125-B 10PK
83	265701-9	*WING SCREW M6X14 5PK
84	911109-2	*PAN HEAD SCREW M4X8 10PK
85	415433-0	TOP GUIDE 5903R
86	256231-1	PIN 6 5903R
87	266021-4	TAPPING SCREW 5X20

88	266039-5	*FT POINT GRUB SCREW M6X6 5PK
89	265993-0	*GRUB SCREW M4X5 5903R 5PK
9	415437-2	ROLLER PIN 6 5903R/5603R/5604R
90	316706-3	BASE 5103R
91	316708-9	DEPTH GUIDE 5103R
92	951210-1	*TENSION PIN6-20 DIN1481 10PK
93	921342-8	*HEX HD SCREW M6X25 5PK
94	941151-9	*FLAT WASHER 6 DIN125-B 10PK
95	252624-0	*WING NUT M6 5603R 5PK