



# SERVICE PARTS LIST

BUL.54-22-0090

## 1 H.P. BENCH GRINDER

REVISED BUL 6416-1      DATE May '68

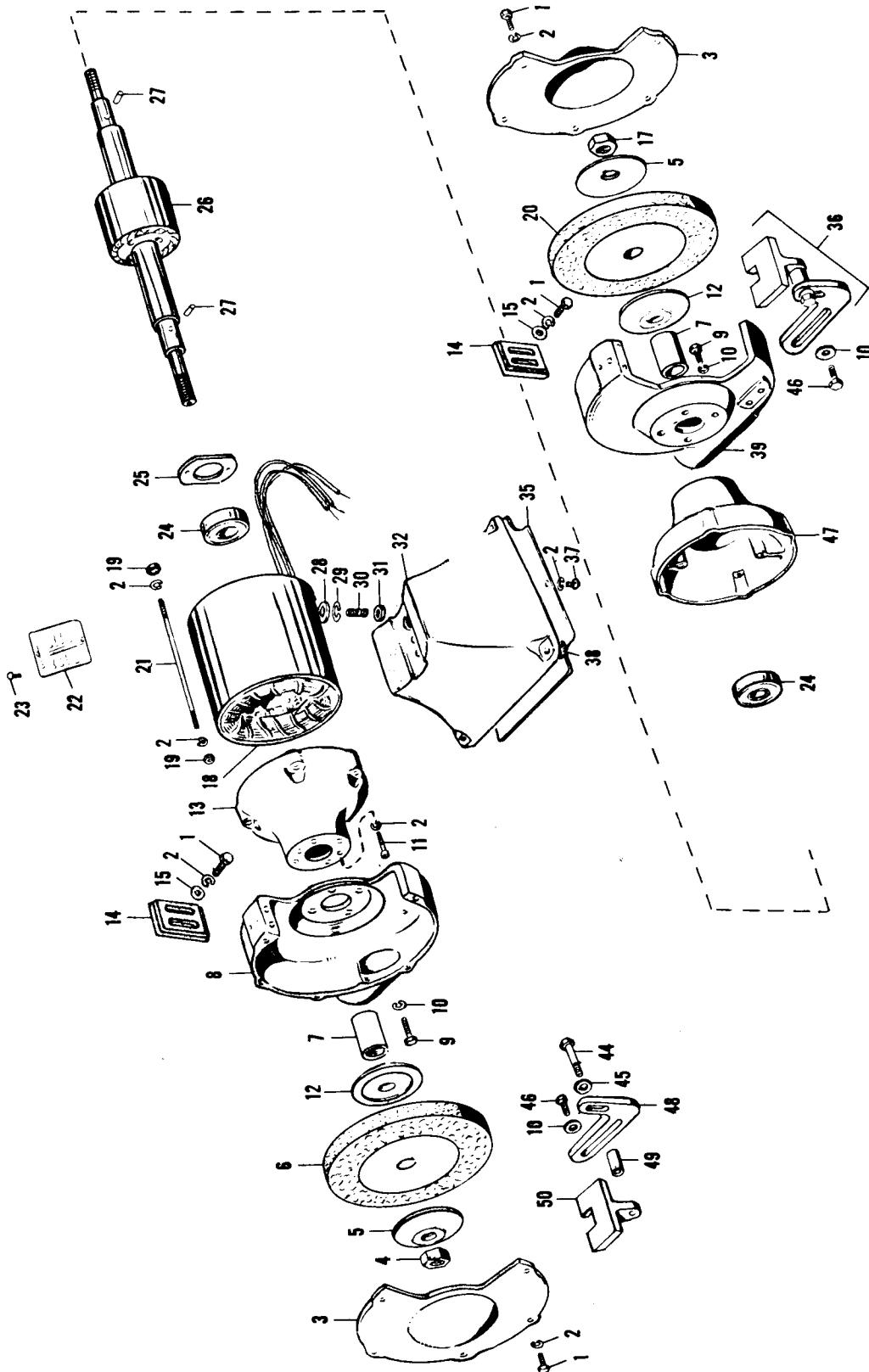
### Catalog No. 5100

MODEL REF. NO. 65055

WIRING INSTR.

Both Model and Serial No. must be furnished to obtain correct parts.

### 208/220/440 VOLT THREE PHASE





# SERVICE PARTS LIST

## BENCH GRINDER

When ordering replacement parts, please give complete motor identification number off name plate of tool.

### ILLUSTRATED PARTS

| FIG. | PART NO.   | DESCRIPTION OF PART            | FIG. | PART NO. | DESCRIPTION OF PART |                                 |
|------|------------|--------------------------------|------|----------|---------------------|---------------------------------|
| 1    | 06-75-0125 | 1/4-20x7/8 Hex Hd. Screw       | (14) | 24       | 02-04-5060          | Bearing (2)                     |
| 2    | 06-97-4000 | 1/4 Lockwasher                 | (20) | 25       | 44-66-0135          | Bearing Retainer Lockplate      |
| 3    | 42-92-0025 | Wheel Guard Cover              | ( 2) | 26       | 23-40-0340          | Rotor & Shaft Assembly          |
| 4    | 06-55-3725 | 3/4-16 Nut L.H.                |      | 27       | 06-65-1528          | 1/8x3/8 Roll Pin (2)            |
| 5    | 43-34-0150 | Wheel Flange                   | (2)  | 28       | 45-88-5340          | 1/2 Washer                      |
| 6    | 49-92-7200 | Grinding Wheel, 24 Grit        |      | 29       | 06-97-4200          | 1/2 Lockwasher                  |
| 7    | 45-36-0570 | Spacer                         | ( 2) | 30       |                     | Stud (Not furnished separately) |
| 8    | 43-54-0200 | Wheel Guard, L.H.              |      | 31       | 06-55-3150          | 1/2-20 Hex Nut                  |
| 9    | 06-75-0500 | 3/8-16x1 Hex Hd. Screw         | ( 8) | 32       | 42-20-0340          | Base                            |
| 10   | 06-97-4125 | 3/8 Lockwasher                 | (12) | 35       | 42-92-0030          | Base Cover                      |
| 11   | 06-81-1840 | 1/4-20x1-1/2 Fil. Hd. Screw    | ( 2) | 36       | 44-85-0160          | Tool Rest Assembly (2)          |
| 12   | 43-34-0150 | Wheel Flange                   | ( 2) | *37      | 06-81-4650          | 10-32x3/8 Rd. Hd. Screw (2)     |
| 13   | 45-12-0230 | Endshield, L.H.                |      | 38       | 42-38-0020          | Rubber Bumper (4)               |
| 14   | 43-54-0061 | Spark Guard                    | ( 2) | 39       | 43-54-0210          | Wheel Guard, R.H.               |
| 15   | 45-88-5220 | 1/4 Washer                     | ( 4) | 44       | 06-75-0492          | 3/8-24x2-3/4 Hex Hd. Screw (2)  |
| 17   | 06-55-3700 | 3/4-16 Nut R.H.                |      | *45      | 45-88-5261          | 3/8 Washer (2)                  |
| 18   | 23-58-0370 | Wound Stator, Three Phase      |      | 46       | 06-75-0487          | 3/8-24x1-1/4 Hex Hd. Screw (4)  |
| 19   | 06-55-1100 | 10-32 Hex Nut                  | ( 8) | 47       | 45-12-0240          | Endshield, R.H.                 |
| 20   | 49-92-7240 | Grinding Wheel, 60 Grit        |      | 48       | 42-09-0050          | Tool Rest Arm (2)               |
| 21   | 06-92-0350 | 10-32x11-1/8 Thru-Bolt         | ( 4) | 49       | 45-36-0540          | Spacer (2)                      |
| *22  | 12-98-0400 | Blank Nameplate (inc. item 23) |      | 50       | 44-85-0100          | Tool Rest (2)                   |
| 23   | 44-60-0290 | Nameplate Pin                  | ( 2) |          |                     |                                 |

### MISCELLANEOUS PARTS NOT SHOWN

| PART NO.    | DESCRIPTION OF PART   |     |
|-------------|---|-----|
| 06-97-3400  | #10 Split Ring Lockwasher (This takes the place of item 2 indicated for use with item 21 Thru-Bolt) | (8) |
| *40-50-7655 | Brg. Loading Spring   |     |