



# Pneumatic Riveter

## #505921, JAT-920



### Operation & Parts Manual

M-505921  
Edition 1  
11/2018

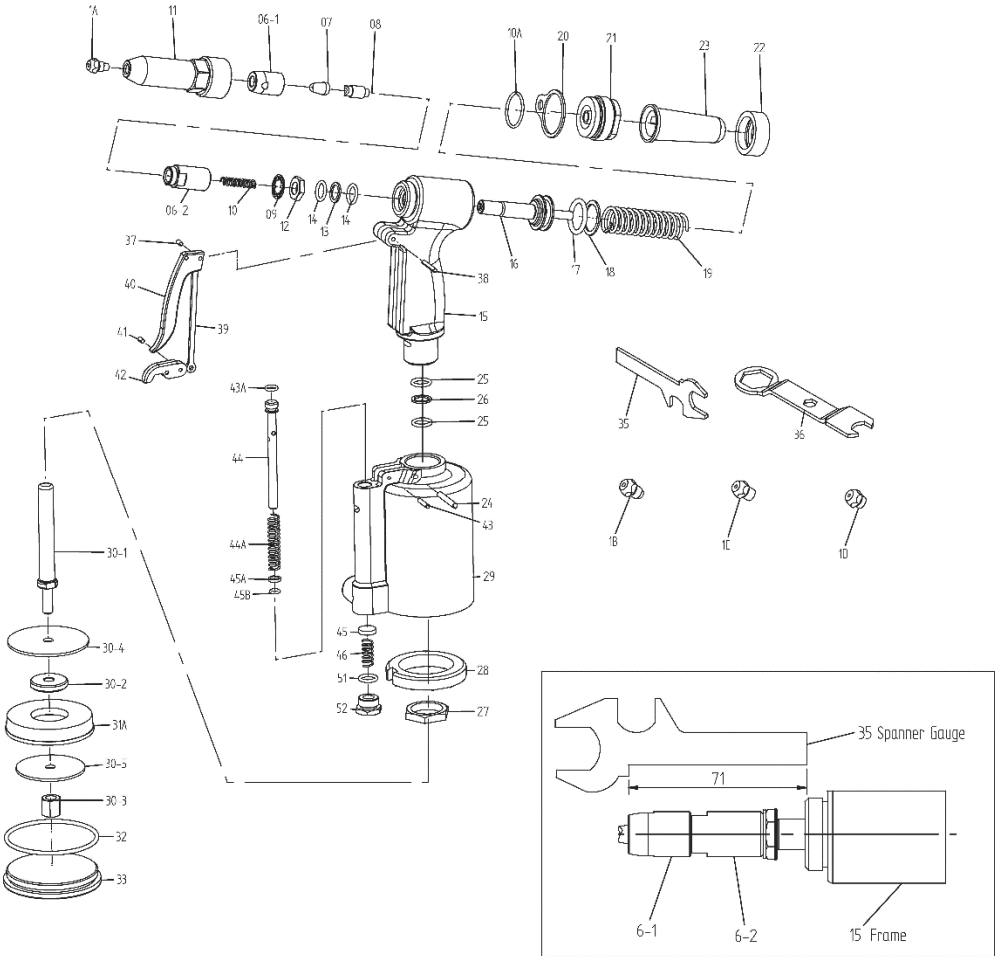


Stock No.:
Serial No.:
Purchased from:
Date purchased:

**JET**  
427 New Sanford Road  
LaVergne, TN 37086  
Ph.: 800-274-6848  
[www.jettools.com](http://www.jettools.com)

Copyright © 2018 JET

# #505921, JAT-920 Pneumatic Riveter – exploded view



## #505921, JAT-920 Pneumatic Riveter – parts list

Index	Part No.	Description	Qty
1	706-1A	Nosepiece 3/16 in.	1
	706-1B	Nosepiece 5/32 in.	1
	706-1C	Nosepiece 1/8 in.	1
	706-1D	Nosepiece 3/32 in.	1
6-1	JAT920-021B	Front jaw case	1
6-2	JAT920-022B	Back jaw case	1
7	JAT920-7B	Jaw	1
8	JAT920-8B	Jaw pusher	1
9	706-07A	Case washer ring 7/16	1
10	JAT920-10B	Jaw pusher spring	1
10A	706-17	Frame cap o-ring 27x2	1
11	706-06	Frame head	1
12	706-07	Case lock nut 7/16x20x4T	1
13	708-08	Back up ring P12	1
14	706-09	Back up o-ring P12	2
15	JAT920-15B	Frame	1
16	JAT920-16B	Oil piston	1
17	706-12	Oil piston o-ring P22A	1
18	JAT920-18B	Back up ring P22A	1
19	JAT920-19B	Return spring	1
20	706-15	Hanging clip	1
21	706-16	Frame cap	1
22	706-16A	Frame cap nut	1
23	706-18	Safety cap	1
24	JAT920-24B	Setting screw pin 4x28	1
25	706-21	Back up ring P12	2
26	706-20	Back up ring P12	1
27	706-22	Frame lock nut	1

Index	Part No.	Description	Qty
28	JAT920-28B	Rubber cushion	1
29	JAT920-29B	Air cylinder	1
30-1	706-25	Air piston stem	1
30-2	JAT920-30-2B	Air piston	1
30-3	JAT920-30-3B	Air piston lock nut 5/16-18	1
30-4	JAT920-30-4B	Large iron plate	1
30-5	JAT920-30-5B	Small iron plate	1
31A	JAT920-31AB	Air piston o-ring	1
32	JAT920-32B	Cylinder o-ring 67.94x2.62	1
33	JAT920-32	Cylinder cap	1
35	706-34	Spanner gauge	1
36	706-35	Spanner wrench	1
37	JAT920-37B	Trigger pin 3x6	1
38	JAT920-38B	Connector 3x22	1
39	706-38	Trigger rod	1
40	JAT920-39	Trigger	1
41	706-40	Connector 3x6	1
42	706-41	Trigger lever	1
43	JAT920-43B	Lever pin P7	1
43A	JAT920-43AB	Valve pusher o-ring P7	1
44	JAT920-44B	Valve pusher	1
44A	JAT920-44AB	Valve spring	1
45	JAT920-45B	Valve	1
45A	JAT920-45AB	Valve collar	1
45B	JAT920-45BB	Collar o-ring P6	1
46	JAT920-46B	Valve spring	1
51	JAT920-51B	Valve cap o-ring P11	1
52	JAT920-52B	Valve cap	1

RBK-JAT920 Rebuild Kit, contains 1A,1B,1C,1D, 6,7,10A,14(2),17,25(2),32