



Pneumatic RO Palm Sander

#505730, JAT-730

#505731, JAT-731



Operation & Parts Manual

M-505730

Edition 3

11/2018

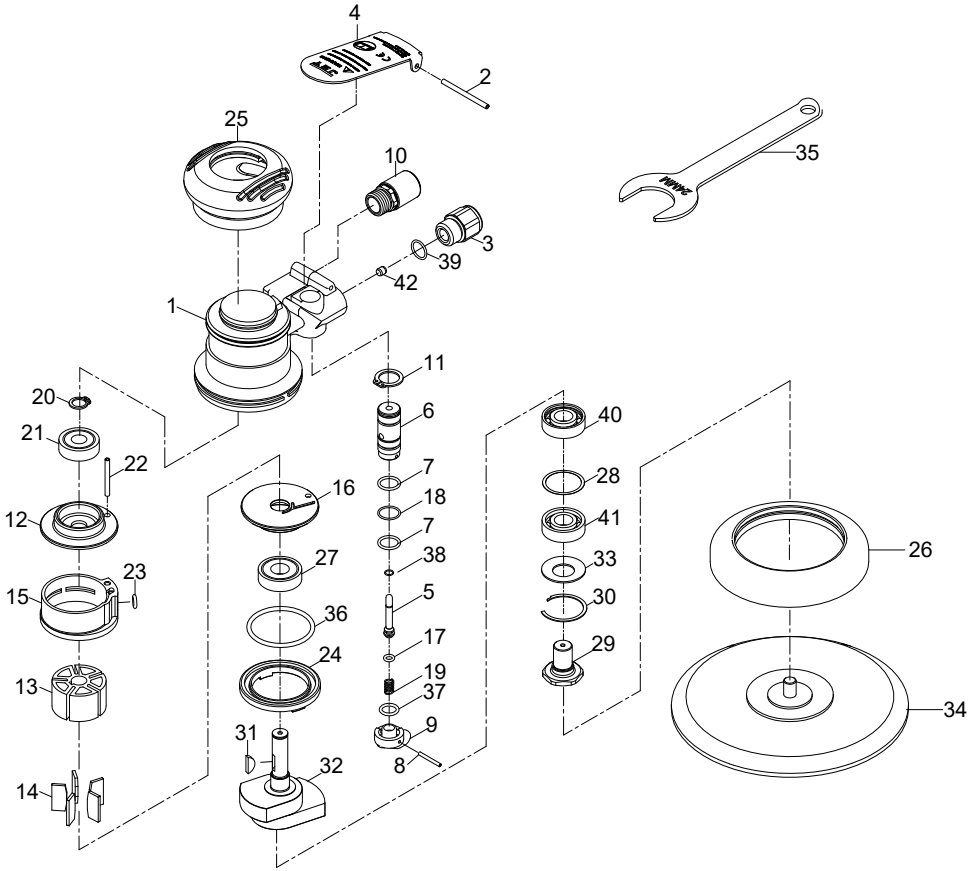


Stock No.:
Serial No.:
Purchased from:
Date purchased:

JET
427 New Sanford Road
LaVergne, TN 37086
Ph.: 800-274-6848
www.jettools.com

Copyright © 2015 JET

#505730, JAT-730, RO 5in. Palm Sander – exploded view



#505730, JAT-730, RO 5in. Palm Sander – parts list

Index	Part No.	Description	Qty
1	JAT730-01	Housing	1
2	JAT730-02	Spring pin 3x40L	1
3	JAT730-03	Air inlet	1
4	JAT730-04	Throttle lever	1
5	JAT730-05	Throttle valve	1
6	JAT730-06	Bushing	1
7	JAT730-07	O-Ring 10.7x1.5	2
8	51542	Spring pin 2x18L	1
9	JAT730-09	Regulator	1
10	JAT730-10	Silencer	1
11	JAT730-11	Retaining ring STW-14	1
12	JAT730-12	Rear end plate	1
13	JAT730-13	Rotor	1
14	JAT730-14	Rotor vane	5
15	JAT730-15	Cylinder	1
16	JAT730-16	Front end plate	1
17	JAT730-17	O-Ring 3.68x1.78	1
18	52236	O-Ring 10.5x1	1
19	JAT730-19	Spring	1
20	JAT730-20	Retainer ring	1
21	JAT730-21	Ball bearing 6000ZZ	1
22	JAT730-22	Spring pin 3x28	1

Index	Part No.	Description	Qty
23	JAT730-23	O-Ring 5x2	1
24	JAT730-24	Lock ring	1
25	JAT730-25	Grip hat	1
26	JAT730-26	Shroud	1
27	JAT730-27	Ball bearing 6001ZZ	1
28	JAT730-28	Washer	1
29	JAT730-29	Shaft	1
30	JAT730-30	Snap ring	1
31	JAT450-34	Key 3x13	1
32	JAT730-32	Balancer shaft	1
33	JAT730-33	Washer	1
34	JAT730-34	Pad (hook & loop face) 5in.	1
35	JAT730-35	Open-end wrench 24mm	1
36	JAT730-36	O-Ring 39.4x3.1	1
37	SM-40130	O-Ring 8.8x1.7	1
38	JAT730-38	O-Ring 2x1	1
39	JAT450-49	O-Ring 13.5x1.5	1
40	BB-6001	Ball bearing 6001	1
41	JAT730-41	Ball bearing 6001P	1
42	JAT730-42	Stopper	1

JAT730-RPK, Repair Kit, contains 7(2),14(5),17,18,19,23,36,37,38,39

JAT730-RBK, Rebuild Kit, contains 30,31,32