



Pneumatic High-Speed Sander

#505700, JAT-700



Operation & Parts Manual

M-505700
Edition 2
11/2018

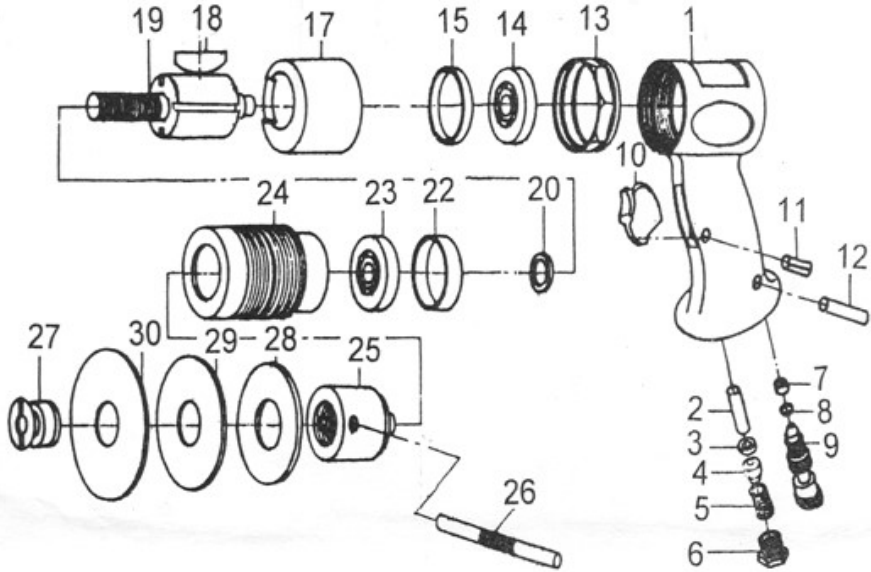


Stock No.:
Serial No.:
Purchased from:
Date purchased:

JET
427 New Sanford Road
LaVergne, TN 37086
Ph.: 800-274-6848
www.jettools.com

Copyright © 2015 JET

#505700, JAT-700, High-Speed Sander – exploded view



Index	Part No.	Description	Qty
1	JAT700-01	Housing	1
2	822002	Control pin	1
3	822003	Rubber gasket	2
4	822004	Ball	1
5	822005	Spring	1
6	822006	Hose joint	1
7	822007	Rubber gasket	1
8	822008	O-Ring	2
9	822009	Regulator	1
10	822010	Trigger	1
11	822011	Pin	1
12	822012	Pin	1
13	822013	Housing lock ring	1
14	822014	Bearing	1

Index	Part No.	Description	Qty
15	822015	Bearing seat – small	1
17	822017	Cylinder	1
18	822018	Vane	4
19	822019	Rotor	1
20	822020	Bushing front end	1
22	822022	Bearing seat – large	1
23	822023	Bearing	1
24	822024	Cylinder housing	1
25	822025	Sanding adaptor	1
26	822026	Holding tool	1
27	822027	Flange nut	1
28	822028	Backing plate 3 in.	1
29	822029	Backing plate 4-1/2 in.	1
30	822030	Backing plate 5-1/2 in.	1

RPK-0402, Repair Kit, contains 3(2),7,8(2),18(4)