



# Pneumatic Reversible Drill

**#505620, JAT-620** s/n 15050245 and higher

**#505621, JAT-621** s/n 15050301 and higher



JAT-621 shown

## Operation & Parts Manual

M-505620

Edition 4

11/2018

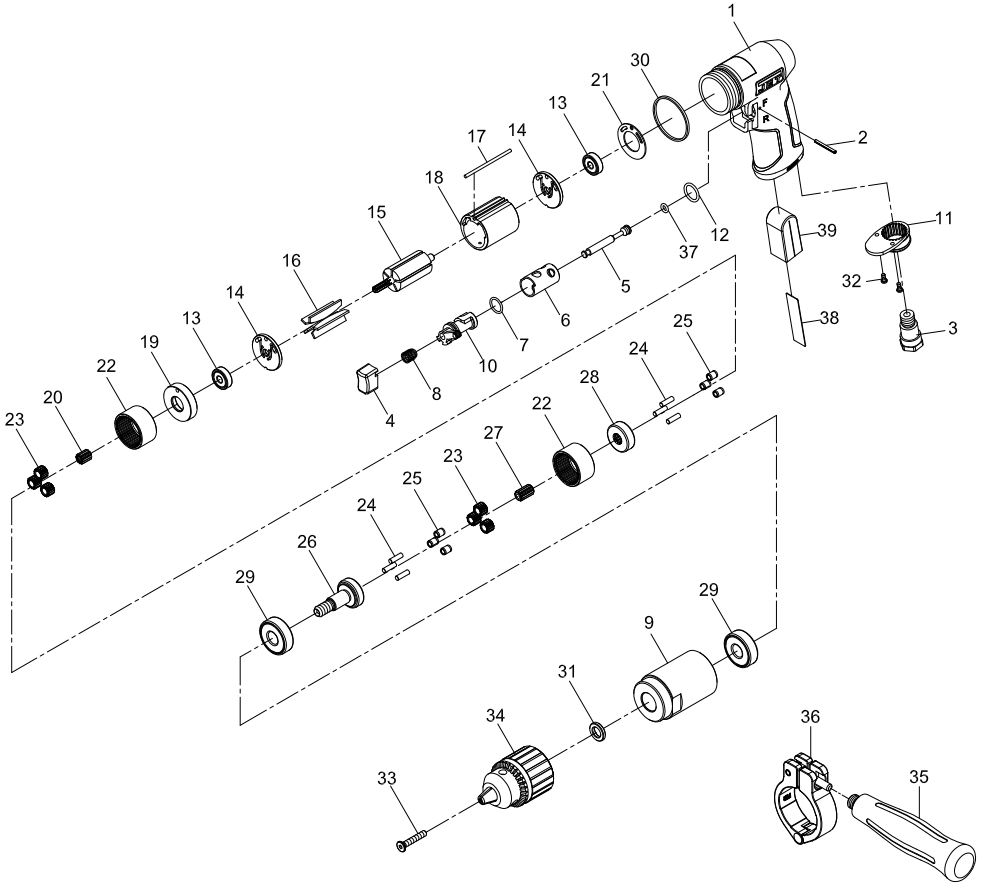


Stock No.:
Serial No.:
Purchased from:
Date purchased:

**JET**  
427 New Sanford Road  
LaVergne, TN 37086  
Ph.: 800-274-6848  
[www.jettools.com](http://www.jettools.com)

Copyright © 2016 JET

# #505621, JAT-621, 1/2-inch Pneumatic Drill – exploded view



## #505621, JAT-621, 1/2-inch Pneumatic Drill – parts list

Index	Part No.	Description	Qty
1	JAT620-01A	Motor housing	1
2	80202	Spring pin 2.5x24L	1
3	70103	Air inlet	1
4	JAT620-04	Trigger	1
5	JAT620-05	Valve stem	1
6	80206	Reverse bushing	1
7	80209	O-Ring 12x1.6	1
8	JAT620-08	Valve spring	1
9	SM-70436	Clamp nut	1
10	80210	Reverse lever	1
11	JAT620-11	Exhaust diffuser	1
12	80247	O-Ring 13.8x2	1
13	BB-626ZZ	Ball bearing 626ZZ	2
14	80214	End plate	2
15	80215	Rotor	1
16	80216	Rotor vane	5
17	JSM7572-17	Pin	1
18	JAT610-18	Cylinder	1
19	80219	Front end plate	1
20	SM-70420	Pinion gear	2

Index	Part No.	Description	Qty
21	80211	Motor gasket	1
22	80222	Internal gear	1
23	SM-70423	Planet gear	6
24	30124	Pin 4x13.8L	6
25	70425	Bushing	6
26	SM-70426	Work spindle	1
27	SM-70421	Center gear	1
28	SM-70427	Reduction spindle	1
29	BB-6201Z	Ball bearing 6201Z	2
30	JAT620-21	Ring	1
31	70133	Washer 1/8in.	1
32	40309	Screw TS2.9	2
33	JSM7472-30	Chuck screw M5x30	1
34	JAT621-34	Jacobs keyed chuck 1/2in.	1
35	JAT621-35	Handle	1
36	JAT621-36	Retainer	1
37	70107	O-Ring 4.8x1.9	1
38	JAT620-33	Iron sheet	1
39	JAT620-34	Damping material	1
40	CK-15	Chuck key 1/2in. (not shown)	1

JAT621-RPK, Repair Kit, contains 7,12,16(5),37

JAT621-RBK, Rebuild Kit, contains 14(2),18,19,23(6),25(6)