



Pneumatic Die Grinders

#505480, JAT-480

#505481, JAT-481

#505482, JAT-482



JAT-482

JAT-481

JAT-480

Operation & Parts Manual

M-505480

Edition 2

11/2018

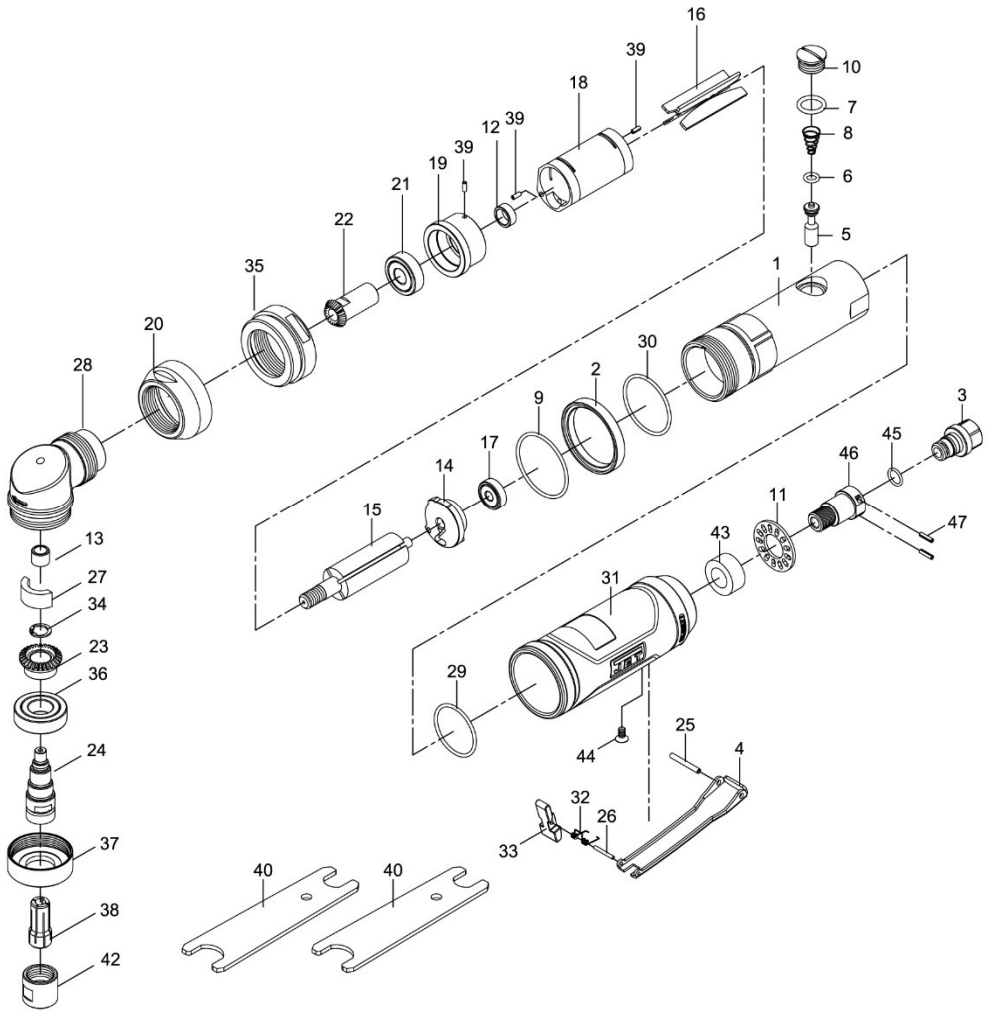


Stock No.:
Serial No.:
Purchased from:
Date purchased:

JET
427 New Sanford Road
LaVergne, TN 37086
Ph.: 800-274-6848
www.jettools.com

Copyright © 2016 JET

#505482, JAT-482 Angled Die Grinder – exploded view



#505482, JAT-482 Angled Die Grinder – parts list

Index	Part No.	Description	Qty
1	JAT480-01	Motor Housing	1
2	JAT480-02	Ring	1
3	JAT480-03	Air Inlet, 1/4-18 NPT	1
4	JAT480-04	Throttle Lever	1
5	JAT480-05	Valve Shaft	1
6	70107	O-Ring, 4.8 x 2.2 mm	1
7	70123	O-Ring, 11.8 x 2.4 mm	1
8	JAT480-08	Spring	1
9	JSM4343-22	O-Ring, 40 x 2 mm	1
10	JAT480-10	Plug	1
11	JAT480-11	Diffuser	1
12	JAT480-12	Rotor Bushing	1
13	JAT482-13	Needle Bearing 11x7x9mm	1
14	JAT480-14	Rear End Plate	1
15	JAT480-15	Rotor	1
16	JAT480-16	Rotor Vane	4
17	BB-626ZZ	Ball Bearing 626ZZ	1
18	JAT480-18	Cylinder	1
19	JAT482-19	Front End Plate	1
20	JAT482-20	Connector Nut	1
21	BB-6000ZZ	Ball Bearing 6000ZZ	1
22	JAT482-22	Bevel Gear	1
23	JAT482-23	Bevel Gear	1

Index	Part No.	Description	Qty
24	JAT482-24	Spindle	1
25	SM-30102	Spring Pin 3x24L	1
26	JAT320-14	Spring Pin 2x16L	1
27	JAT482-27	Felt Oiler	1
28	JAT482-28	Front Housing	1
29	JAT480-29	O-Ring 31.5x2 mm	1
30	SM-40126	O-Ring 35.5x2 mm	1
31	JAT480-31	Grip	1
32	51541	Spring	1
33	JAT480-28	Safety Lever	1
34	JAT630-35	Snap Ring ISTW-10	1
35	JAT482-35	Clamp Nut	1
36	BB-6002ZZ	Ball Bearing 6002ZZ	1
37	JAT482-37	Clamp Nut	1
38	JAT480-23	Collet 1/4in.	1
39	72017	Spring Pin 2.5x6L	3
40	51228	Double End Wrench	2
42	JAT480-24	Collet Nut	1
43	JAT482-42	Muffler	1
44	JAT480-33	Screw M4x8L	1
45	JAT480-34	O-Ring, 9x1.5 mm	1
46	JAT480-35	Screw	1
47	JAT600-17	Spring Pin, 2.5x10L	2

JAT482-RPK, Repair Kit, contains 6,7,8,9,16(4),29,30,39(3),44,45,47(2)

JAT482-RBK, Rebuild Kit, contains 12,18,38