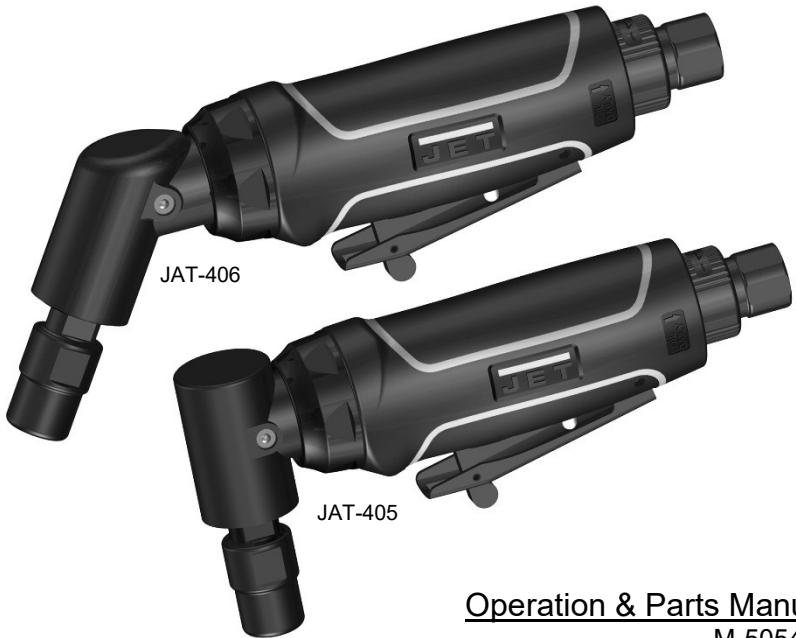




Pneumatic Angled Die Grinder

#505405, JAT-405

#505406, JAT-406



Operation & Parts Manual

M-505405

Edition 3

11/2018

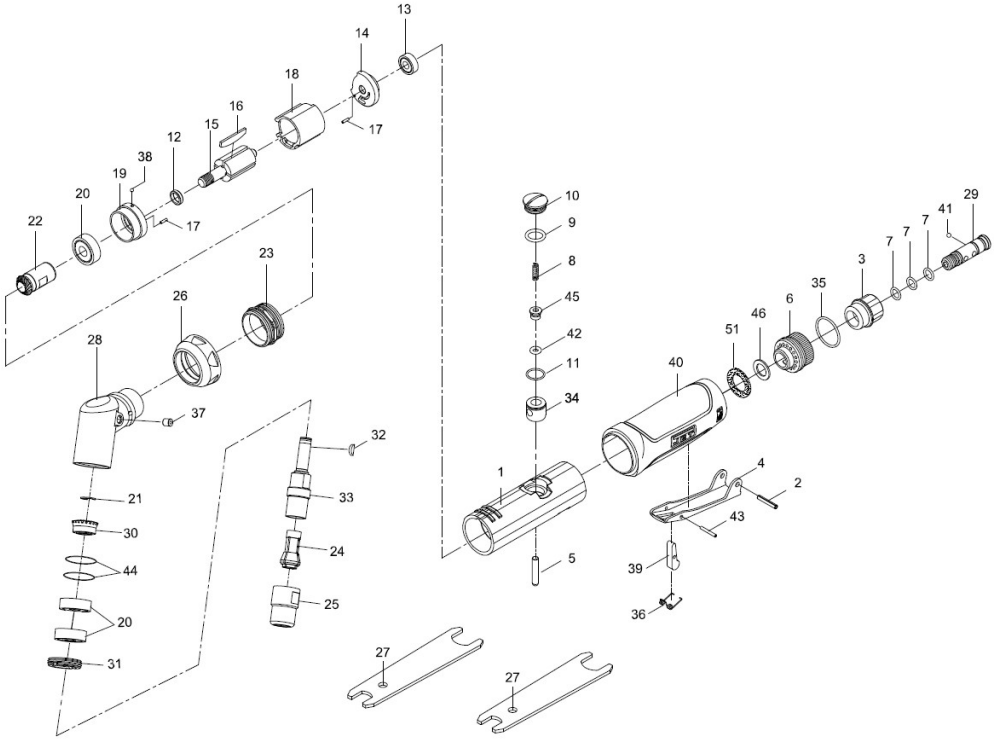


Stock No.:
Serial No.:
Purchased from:
Date purchased:

JET
427 New Sanford Road
LaVergne, TN 37086
Ph.: 800-274-6848
www.jettools.com

Copyright © 2015 JET

#505406, JAT-406, 115° Angled Die Grinder – exploded view



#505406, JAT-406, 115° Angled Die Grinder – parts list

Index	Part No.	Description	Qty
1	JAT405-01	Motor housing	1
2	40337	Lever pin 3x18L	1
3	JSM5252-03	Air inlet	1
4	JSM5252-04	Throttle lever	1
	JSM5252-04A	Throttle lever assembly (incl. #4,21,39,41)	1
5	JSM5252-05	Valve shaft	1
6	JSM5252-06	Deflector	1
7	JSM3330-46	O-Ring 7.5x1.5	3
8	JSM5252-08	Spring	1
9	JSM5252-09	O-Ring 9.8x1.9	1
10	JSM5252-10	Valve screw	1
11	52236	O-Ring 10.5x1	1
12	52212	Rotor spacer	1
13	BB-696ZZ	Ball bearing 696ZZ	1
14	52214	Rear end plate	1
15	52215	Rotor	1
16	52216	Rotor vane	4
17	SM-30117	Spring pin 1.5x6	2
18	52218	Cylinder	1
19	52219	Front end plate	1
20	BB-608ZZ	Ball bearing 608ZZ	3
21	JAT406-21	Crescent ring 5103-31	1
22	JAT406-22	Pinion gear	1
23	JSM5252-23	Front coupling	1

Index	Part No.	Description	Qty
24	51224	Collet 1/4in.	1
25	52225	Collet nut	1
26	JSM5252-26	Front cap	1
27	52227	Double-end wrench	2
28	52428	Head	1
29	JSM5252-29	Fixed shaft	1
30	JAT406-30	Bevel gear	1
31	52231	Lock ring	1
32	52232	Key	1
33	JAT406-33	Spindle	1
34	JSM5252-34	Bushing	1
35	JAT406-35	O-Ring 20x1.4	1
36	JSM5130-41	Spring	1
37	56237	Oil cap 3/16in.	1
38	SB-3/32	Steel ball 3/32in.	1
39	51540	Safety lever	1
40	JAT406-40	Grip	1
41	SB-1/8	Steel ball 1/8in.	1
42	SM-30107	O-Ring 3.9x1.9	1
43	JSM5252-21	Spring pin 2x15L	1
44	JAT406-44	Shim	1
45	JSM5252-43	Throttle valve	1
46	JSM5252-46	Washer	1
51	JSM5252-51	Damping material	1

JAT406-RPK, Repair Kit, contains 7(3),8,9,11,16(4),35,46

JAT405-RBK, Rebuild Kit, contains 18,24,25