



Pneumatic Impact Wrench

#505200, JAT-200

#505201, JAT-201

#505202, JAT-202



JAT-201 shown

Operation & Parts Manual

M-505200

Edition 1

02/2015

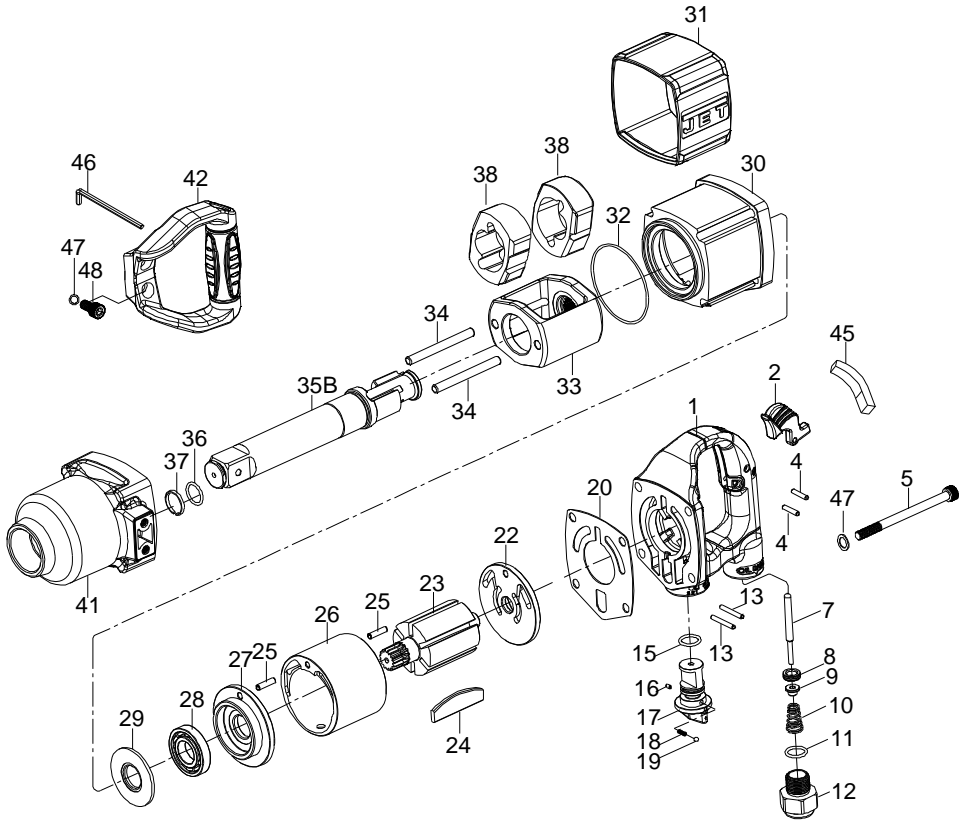


Stock No.:
Serial No.:
Purchased from:
Date purchased:

JET
427 New Sanford Road
LaVergne, TN 37086
Ph.: 800-274-6848
www.jettools.com

Copyright © 2015 JET

#505202, JAT-202, 1-inch Impact Wrench – exploded view



#505202, JAT-202, 1-inch Impact Wrench – parts list

Index	Part No.	Description	Qty
1	JAT201-01	D-handle assembly	1
2	JAT201-02	Inside trigger	1
4	JAT201-04	Pin ø4x19.8 SUJ2	2
5	JAT201-05	Screw M8x1.25x110 SCM435	4
7	JAT201-06	Throttle valve plunger	1
8	JAT201-07	Throttle valve seat	1
9	JAT201-08	Throttle valve	1
10	JAT201-09	Spring	1
11	JAT201-10	O-Ring P16 (15.8x2.4)	1
12	JAT201-11	Air inlet	1
13	JAT201-12	Spring pin ø4x30	2
15	JAT201-10	O-Ring P16 (15.8x2.4)	1
16	JAT201-16	Spring pin ø3x5	1
17	JAT201-17	Reverse valve	1
18	JAT201-18	Spring	1
19	SB-4MM	Steel ball 4mm	1
20	JAT201-20	Gasket	1
22	JAT201-22	Rear end plate assembly	1
23	JAT201-23	Rotor	1
24	JAT201-24	Rotor vane	6

Index	Part No.	Description	Qty
25	JAT201-25	Spring pin ø6x20L	2
26	JAT201-26	Cylinder	1
27	JAT201-27	Front end plate	1
28	JAT201-28	Ball bearing EE8 (R14)	1
29	JAT201-29	Washer	1
30	JAT201-30	Housing	1
31	JAT201-31	Rubber grip	1
32	JAT201-32	O-Ring S-67 (66.5x2)	1
33	JAT201-33	Hammer cage	1
34	JAT201-34	Hammer pin	2
35B	JAT201-35B	Anvil 1in. extended	1
36	JAT120-06	O-Ring 1019 NBR ø18.8x1.9	1
37	JAT201-37	Socket retainer	1
38	JAT201-38	Hammer	2
41	JAT201-41	Hammer case assembly	1
42	JAT201-42	Side handle	1
45	JAT201-45	Rubber cap	1
46	TS-152707	Hex key 6mm	1
47	JAT201-47	Washer 8.4 IDx12.5 ODx2mm	6
48	JAT201-48	Screw M8x20L SCM435	2

JAT201-RPK Repair Kit, contains #10,11,15,18,19,20,24(6),28,32,36,37

JAT202-RBK Rebuild Kit, contains #22,25(2),26,27,34(2),35B