



Pneumatic Impact Wrench

#505128, JAT-128



Operation & Parts Manual

M-505128

Edition 1

02/2020

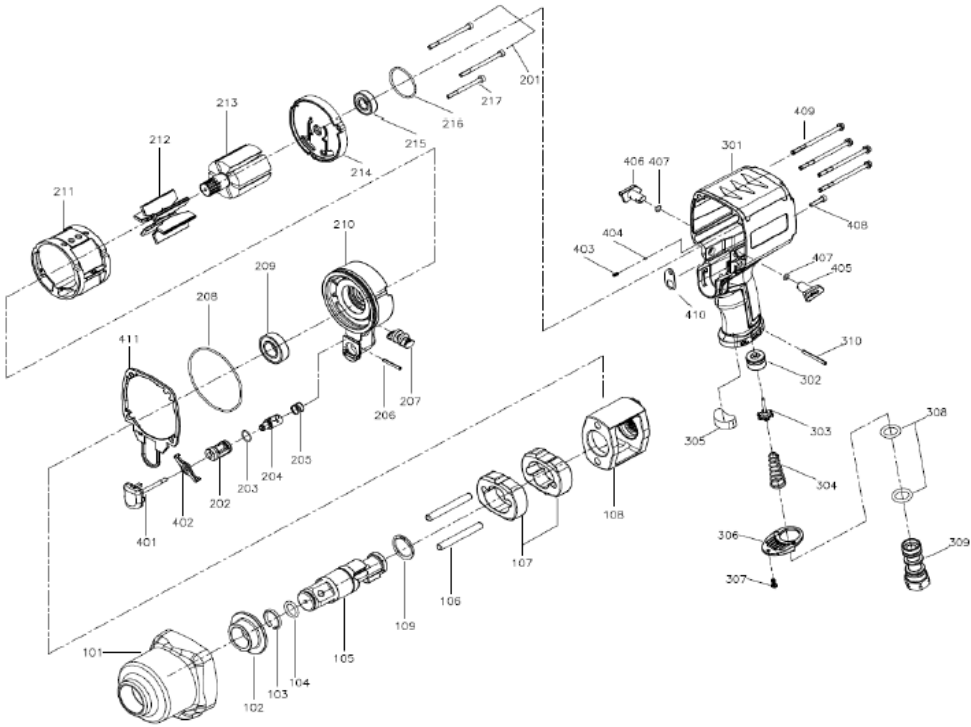


Stock No.:
Serial No.:
Purchased from:
Date purchased:

JET
427 New Sanford Road
LaVergne, TN 37086
Ph.: 800-274-6848
www.jettools.com

Copyright © 2020 JET

#505128, JAT-128, 1-inch Impact Wrench – exploded view



#505128, JAT-128, 1-inch Impact Wrench – parts list

#	Part No.	Description	Qty
101	JAT127-101	Hammer Case *	1
102	JAT128-102	Anvil Bushing *	1
103	JAT211-104	Socket Retainer *	1
104	JAT211-105	O-Ring 17x2.6 mm *	1
105	JAT128-105	Anvil 1 in. *	1
106	JAT127-106	Hammer Pin *	2
107	JAT127-107	Hammer *	2
108	JAT127-108	Hammer Cage *	1
109	JAT128-109	C-Ring #30 *	1
201	JAT127-201	Screw M4x60	2
202	JAT127-202	Front End Plate Bushing *	1
203	JAT127-203	O-Ring 9x1 mm *	1
204	JAT127-204	Regulator Stem *	1
205	JAT127-205	Spring 11.2x10L *	1
206	73402	Spring Pin 2.5x22L *	1
207	JAT127-207	Reverse Stem *	1
208	JAT127-208	O-Ring 70x2 mm *	1
209	BB-6003ZZ	Ball Bearing 6003ZZ *	1
210	JAT127-210	Front End Plate *	1
211	JAT127-211	Cylinder	1
212	JAT127-212	Rotor Vane	6
213	JAT127-213	Rotor	1
214	JAT127-214	Rear End Plate *	1
215	BB-6001ZZ	Ball Bearing 6001ZZ *	1
216	JAT126-216	O-Ring 33x2 mm *	1
217	JAT127-217	Screw M4x50	1
301	JAT127-301	Housing	1
302	JAT127-302	Valve Seat *	1
303	JAT127-303	Valve Stem *	1
304	JAT127-304	Conical Spring *	1
305	JAT127-305	Muffler	1
306	JAT127-306	Exhaust Deflector	1

#	Part No.	Description	Qty
307	JAT102-09	Screw M3x8	1
308	JAT102-10	O-Ring 15x3 mm *	2
309	JAT102-11	Air Inlet NPT18 *	1
310	F012088	Spring Pin 3x30 mm *	1
401	JAT127-401	Trigger Assembly *	1
402	JAT125-402	Regulator Stem *	1
403	JAT125-403	Spring 2.5x5.2L *	1
404	SB-2.5MM	Steel Ball 2.5 mm *	1
405	JAT127-405	Reverse Button *	1
406	JAT127-406	Forward Button *	1
407	JAT127-407	O-Ring 7.6x1 mm *	2
408	JAT127-408	Nyloc SHC Screw M4x20	1
409	JAT127-409	Screw M6x88	4
410	JAT127-410	Gasket	1
411	JAT127-411	Gasket	1
	JAT128-HCK	Hammer Case Kit - #101,102	
	JAT128-AA	Anvil Assembly - #103,104,105,109	
	JAT127-HK	Hammer Kit - #106(2),107(2),108	
	JAT127-FEPK	Front End Plate Kit - #202,203,204,205,206,208,209,210	
	JAT127-REPK	Rear End Plate Kit - #214,215,216	
	JAT127-AIK	Air Inlet Kit - #302,303,304,308(2),309,310	
	JAT127-TK	Trigger Kit - #207,401,402,403,404,405,406,407(2)	
	JAT128-TUK	Tune Up Kit - #104,203,208,212(6),216,308(2),407(2)	

* These parts are only provided in the larger kit or assembly.