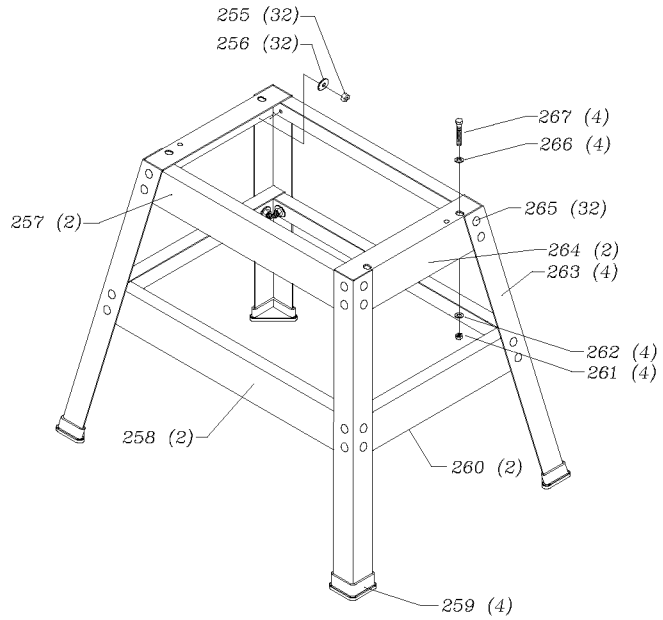
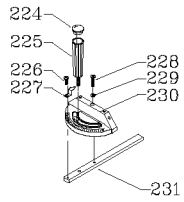
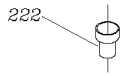
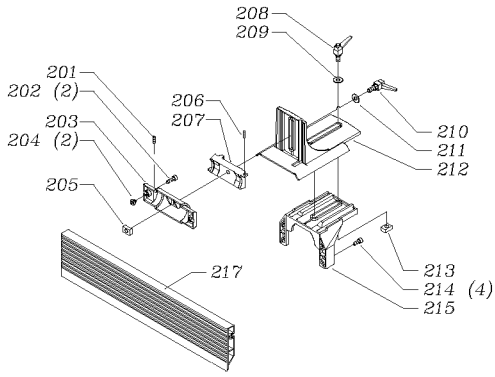
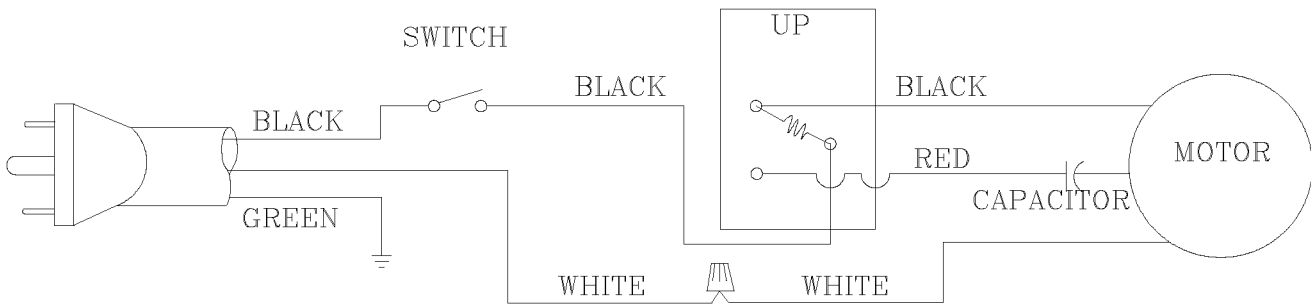


AVAILABLE AS AN ACCESSORY



WIRING DIAGRAM  
RELAY



## Parts List for 50-780 Type 2

Item Number	Part Number	Description	Qty Required
255	491964-00	NUT	32
256	904010101606S	STEEL WASHER	32
257	902872	BRACKET	2
258	000000-00	No Longer Available	2
259	427990480001	FOOT	4
260	902870	BRACKET	2
261	491964-00	NUT	4
262	904010101606S	STEEL WASHER	4
263	902873	LEG	4
264	902869	BRACKET	2
265	1313325	SCREW	32
266	904010101606S	STEEL WASHER	4
267	1246192	CAP SCREW	4
268	902939	HARDWARE PACK	1