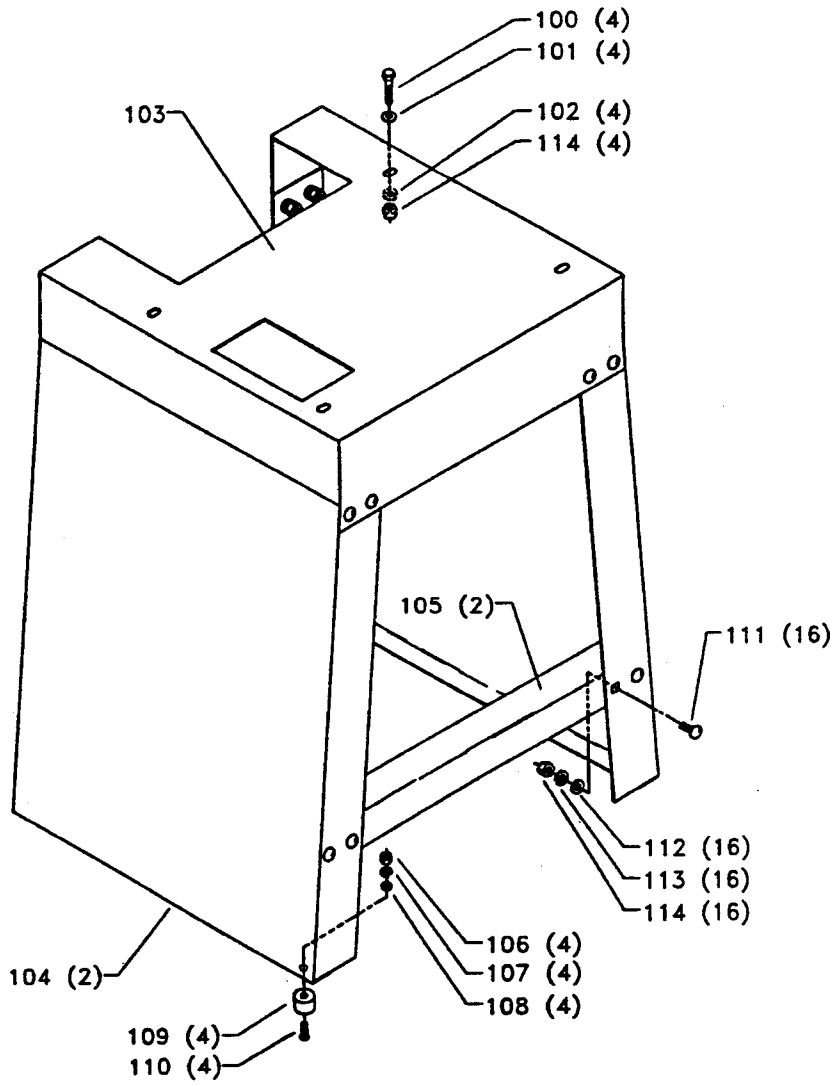


**50-513
SHAPER STAND**



Parts List for 50-513 Type 1

Item Number	Part Number	Description	Qty Required
100	901010600602	CAP SCREW	4
101	904010101620S	WASHER	4
102	904020101703S	LOCK WASHER	4
103	000000-00	No Longer Available	1
104	000000-00	No Longer Available	2
105	000000-00	No Longer Available	2
106	489026-00	HEX NUT	4
107	491957-00	LOCK WASHER	4
108	904010101614S	STEEL WASHER	4
109	400060480001	FOOT	4
110	901021207504S	MACHINE SCREW	4
111	901110200834S	CARRIAGE BOLT	16
112	491956-00	WASHER	16
113	904020101703S	LOCK WASHER	16
114	902010101300S	HEX NUT	20