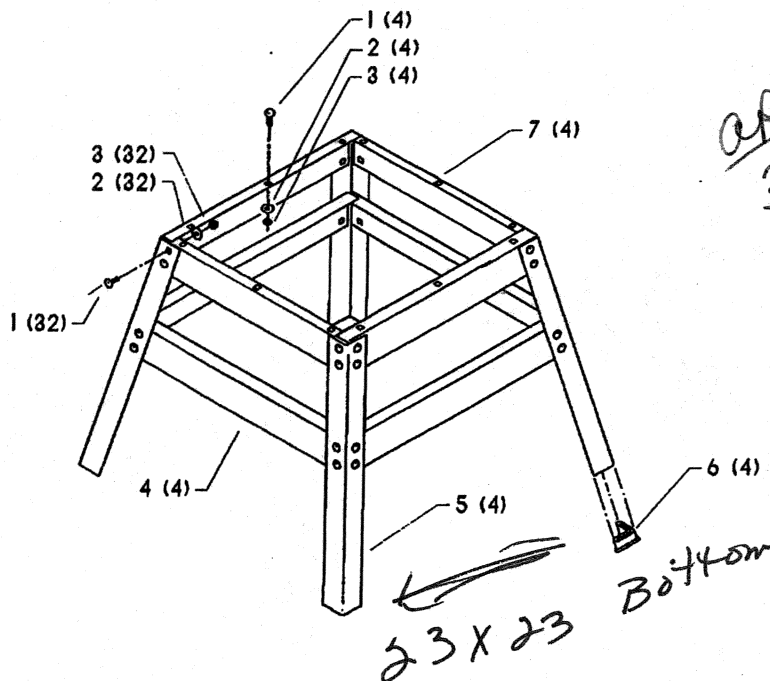


50-321
ROUTER/SHAPER STAND



REPLACEMENT PARTS

REF NO	PART NUMBER	DESCRIPTION
	50-321	ROUTER/SHAPER STAND, CONST OF:
1	1313325	(DIN 603) M8 X 20MM CARRIAGE HD SCREW
2	904-01-010-1606	7/16" FLAT WASHER
3	1243398	(DIN 934) M8 HEX NUT
4	1343459	LOWER BRACKET
5	1342702	LEG
6	1342381	PLASTIC FOOT
7	1343458	UPPER BRACKET