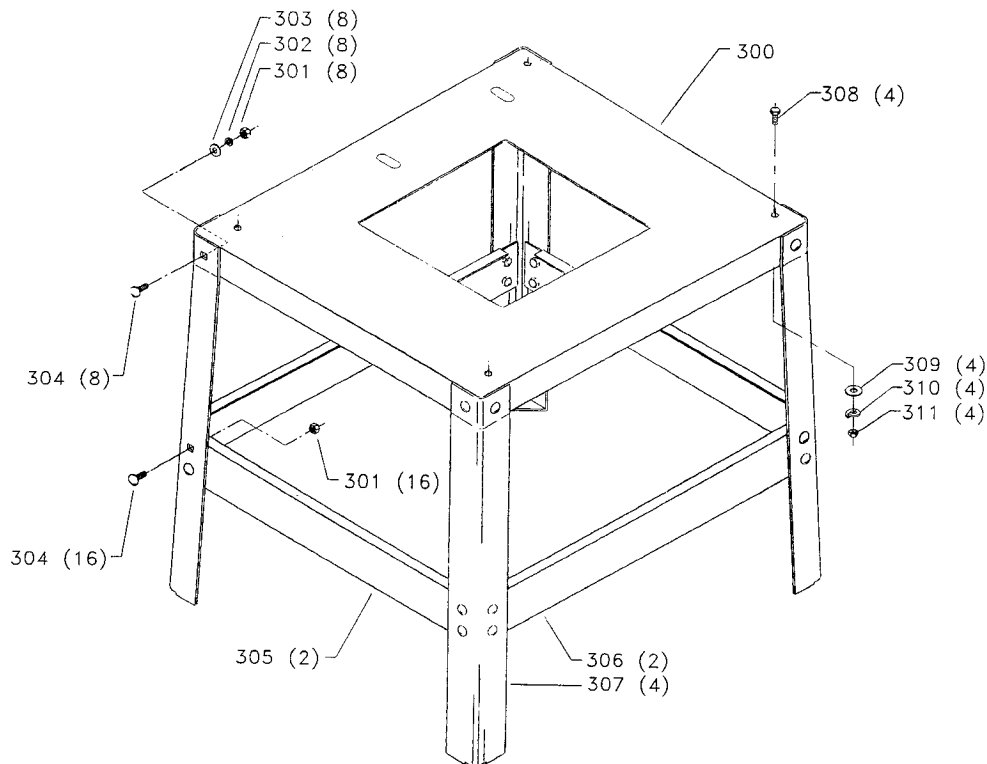


REPLACEMENT PARTS

AVAILABLE AS AN ACCESSORY



REF NO	PART NUMBER	DESCRIPTION
*	50-314	OPEN STEEL STAND, CONST OF:
300	436-02-115-0101	SHELF
301	902-01-010-1300	5/16-18 HEX NUT
302	904-02-010-1703	5/16" LOCK WASHER
303	904-01-010-1620	FLAT WASHER
304	901-11-023-1476	5/16-18 X 5/8" CARRIAGE HD SCREW
305	436-02-103-0011	TIE BAR
306	436-02-103-0010	TIE BAR
307	436-02-066-0028	LEG
308	901-01-060-0649	5/16-18 X 1" HEX HD SCREW
309	904-01-010-1620	FLAT WASHER
310	904-02-010-1703	5/16" LOCK WASHER
311	902-01-010-1300	5/16-18 HEX NUT

STANDARD SAFETY EQUIPMENT

In order to promote tool safety, Delta International Machinery Corp. strictly enforces the policy of repairing or replacing any damaged or missing standard safety equipment on machines presented to Delta Authorized Service Center for service/repairs. Any product which is presented to a Delta Authorized Service Center for repairs which contains missing or damaged standard safety equipment will have that equipment repaired or replaced and the customer will be charged for any such service/repairs. Customers can avoid such charges only if the missing safety component is supplied to the service center at the time of repair.

This parts list is provided to aid in obtaining service parts. Copies of the instruction and maintenance literature can be obtained through the Delta Technical Publications Department or through your local service outlet.