



# SERVICE PARTS LIST

**BULLETIN NO.**  
54-22-1220

**SPECIFY CATALOG NO. AND SERIAL NO. WHEN ORDERING PARTS**

**1/2 H.P. BENCH GRINDER W/LIGHTED EYESHIELDS**

**CATALOG NO. 4991**

STARTING  
SERIAL NUMBER

**W10-86**

REVISED BULLETIN

DATE  
Dec. '98

WIRING INSTRUCTION  
**58-01-0026**

EXAMPLE:



Component Parts (Small #)  
Are Included When Ordering  
The Assembly (Large #).

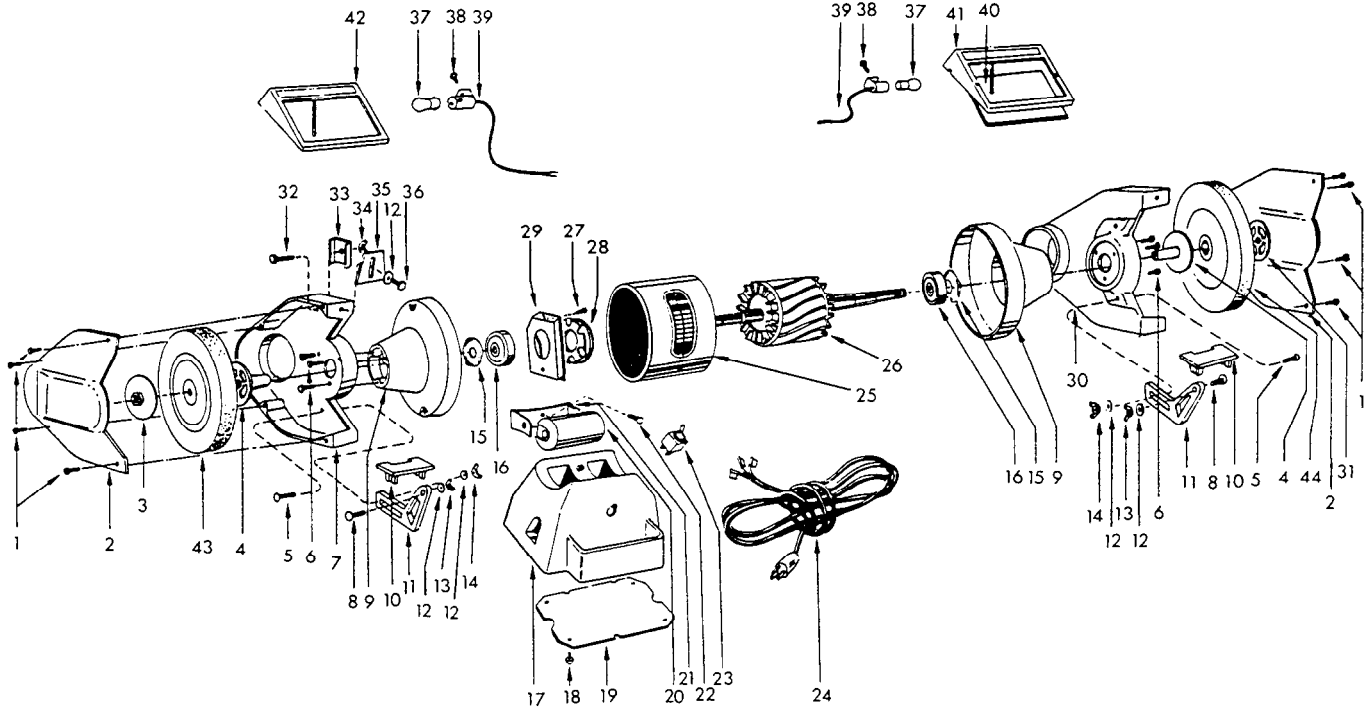


FIG.	PART NO.	DESCRIPTION OF PART	QTY
1	06-95-0325	Self Tapping Screw 10-24 x 3/8"	(8)
2	42-92-0690	Guard Cover	(2)
3	43-34-0660	Left Flange w/Hex Nut	(1)
4	43-34-0620	Wheel Flange	(2)
5	06-75-0535	Cap Screw 3/8" x 16 x 1-1/4"	(2)
6	06-75-0090	Cap Screw 1/4"-20 x 5/8"	(6)
7	43-54-0600	Left Guard	(1)
8	06-10-1300	Carriage Bolt 3/8"-16 x 1-1/2"	(2)
9	42-25-2540	Endbell	(2)
10	44-85-0200	Tool Rest	(2)
11	42-09-0020	Tool Rest Arm	(2)
12	45-88-8090	Flat Washer 3/8"	(6)
13	06-55-2500	Hex Nut 3/8"-16	(2)
14	06-59-1000	Wing Nut 3/8"-16	(2)
15	45-88-8110	Bearing Felt Washer	(2)
16	02-04-1745	Bearing	(2)
17	42-20-0630	Base	(1)
18	42-38-0250	Rubber Foot	(4)
19	44-66-5670	Base Plate	(1)
20	22-33-0330	Capacitor	(1)
21	22-40-0110	Capacitor Bracket	(1)
22	06-81-2661	Flat Hd. Machine Screw 10-24 x 3/8"	(1)
23	23-66-1560	Toggle Switch	(1)
24	22-64-1120	Cord Set	(1)

FIG.	PART NO.	DESCRIPTION OF PART	QTY
25	23-58-0720	Stator (with Internal Coils for Lights)	(1)
26	23-40-0610	Rotor (Incl. Fig. 28)	(1)
27	06-95-0110	Self Tapping Screw 6-32 x 5/16"	(2)
28	23-66-1570	Rotary Switch	(1)
29	23-66-1600	Stationary Switch	(1)
30	43-54-0610	Right Guard	(1)
31	43-34-0670	Right Flange w/Hex Nut	(1)
32	06-75-0150	Cap Screw 1/4"-20 x 1"	(2)
33	42-70-5060	Eyeshield Clip	(2)
34	06-59-2000	Wing Nut 1/4"-20	(2)
35	45-12-0390	Spark Shield	(2)
36	06-75-0296	Self Tapping Screw 5/16"-18 x 1/2"	(2)
37	22-23-0010	Automotive Bulb	(2)
38	06-75-0022	Cap Screw 10-24 x 5/16"	(2)
39	23-33-0430	Light Socket	(2)
40	49-62-0115	Replacement Plexiglass Lens	(2)
41	43-40-0260	Right Eyeshield Frame (Incl. Fig. 40)	(1)
42	43-40-0270	Left Eyeshield Frame (Incl. Fig. 40)	(1)
43	-----	Grinding Wheel 7" x 1" x 5/8" (see cat.)	(1)
44	-----	Grinding Wheel 7" x 1" x 5/8" (see cat.)	(1)
--	12-99-0460	Nameplate	(1)

**Items Not Shown**

--	06-55-1050	Hex Nut 10-24	(2)
--	22-90-0180	Grommet	(1)
--	06-08-0060	Thru Bolt 10-24 x 7-3/4"	(2)