



SERVICE PARTS LIST

BUL. 54-22-0030

1/2 H.P. BENCH GRINDER

REVISED BUL
695-1

DATE
April '68

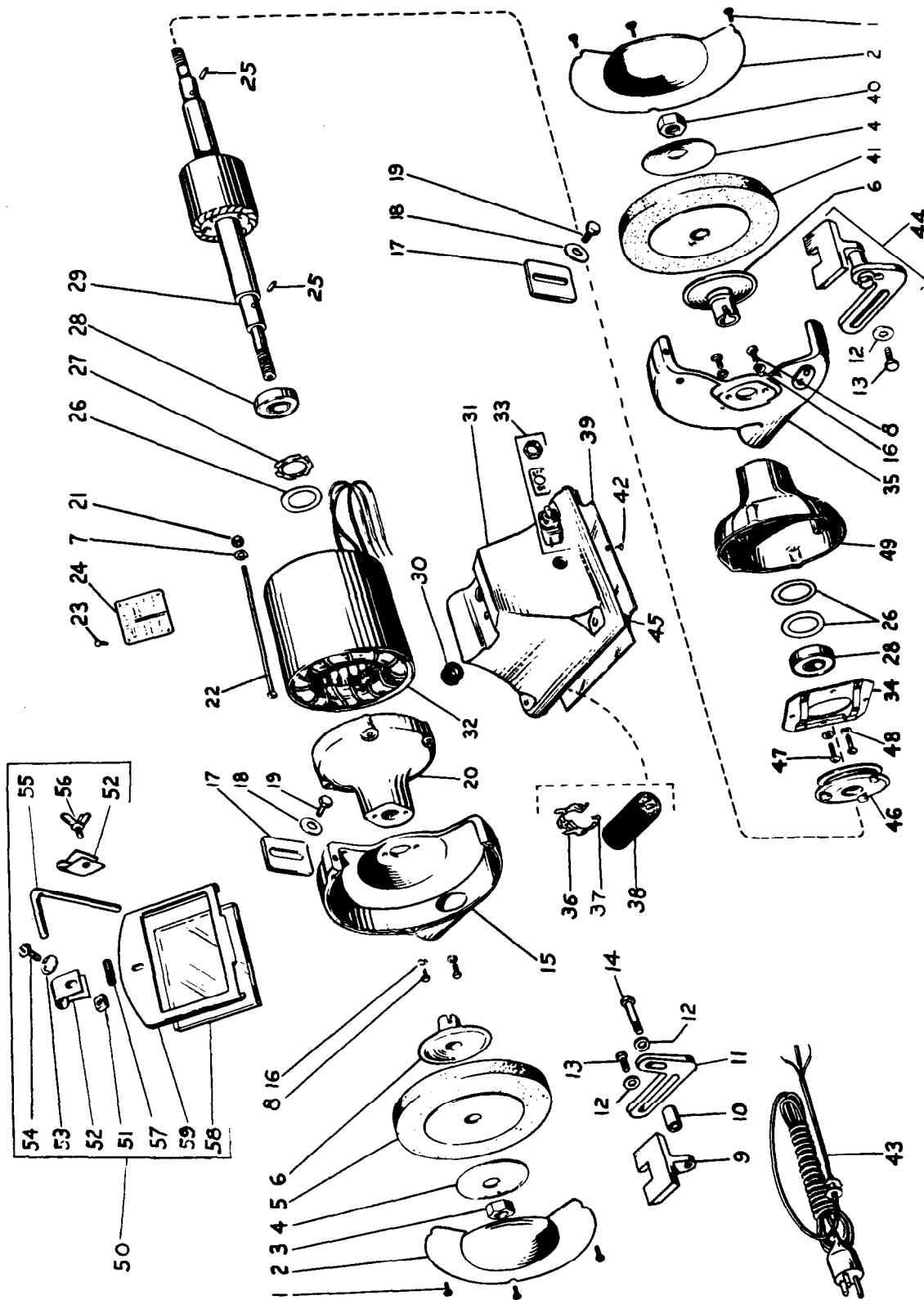
Catalog No. **4980**

MODEL
REF. NO. **60220**

WIRING INSTR.

Both Model and Serial No. must be furnished to obtain correct parts.

115V SINGLE PHASE





SERVICE PARTS LIST

BENCH GRINDER

ILLUSTRATED PARTS

FIG.	PART NO.	DESCRIPTION OF PART	FIG.	PART NO.	DESCRIPTION OF PART
1	06-81-4693	Rd.Hd.Wheel Guard Cover Screws	31	42-20-0300	Base
2	42-92-0035	Wheel Guard Cover	32	23-58-0290	Stator Assembly
3	06-55-3325	Hex Nut L.H.	33	23-66-0650	Toggle Switch
4	43-34-0046	Wheel Flange (outer)	34	23-66-0680	Stationary Switch
5	See Catalog	60 Grit Grinding Wheel	35	43-54-0066	Wheel Guard R.H.
6	43-34-0045	Wheel Flange (inner)	36	22-40-0010	Capacitor Mounting Clip
7	06-97-4125	Lockwasher	37	06-81-8650	Capacitor Clip Screw
8	06-75-0310	Cap. Guard Mounting Screws	38	22-33-0200	Capacitor
9	44-85-0100	Tool Rest	39	42-92-0030	Base Cover
10	45-36-0550	Tool Rest Spacer	40	06-55-3300	Hex Nut R.H.
11	42-09-0060	Tool Rest Arm	41	See Catalog	36 Grit Grinding Wheel
12	45-88-5261	Washer	42	06-81-4650	Base Cover Screws
13	06-75-0485	Cap Screw	43	22-64-0580	Cord Set
14	06-10-3100	Cap Screw	44	44-85-0090	Tool Rest Assembly
15	43-54-0065	Wheel Guard L.H.	45	42-38-0020	Rubber Bumper
16	06-97-4100	Lock Washer	46	23-66-0620	Rotating Switch
17	43-54-0067	Spark Guard	47	06-81-4566	Rd. Hd. Machine Screws
18	45-88-5261	Washer	48	06-97-3200	Lock Washer
19	06-75-0075	Cap Screw	49	42-25-0120	End Bell R.H.
20	42-25-0071	End Bell L.H.	50	49-62-0060	Safety Shield Assembly
21	06-55-1100	Hex Nut	51	06-54-0100	Square Nut
22	06-75-0057	Thru Bolt	52	42-68-0020	Safety Shield Clamp
23	44-60-0290	Name Plate Pin	53	06-97-2600	Washer
24	12-98-0400	Name Plate	54	06-81-4720	Machine Screw
25	06-65-1528	Roll Pin	55	44-94-0060	Safety Shield Support Rod
26	45-14-0110	Shim Washer	56	06-87-2400	Wing Bolt
27	40-50-7655	Bearing Loading Spring	57	45-76-0020	Safety Shield Rubber Tube
28	02-04-5050	Ball Bearing	58	43-50-0050	Safety Shield Glass
29	23-40-0250	Rotor Assembly	59	43-40-0020	Safety Shield Frame
30	22-90-0020	Rubber Grammet			

MISCELLANEOUS PARTS NOT SHOWN

PART NO.	DESCRIPTION OF PART	PART NO.	DESCRIPTION OF PART
48-03-0010	Plug Adaptor	06-81-4567	8-32x3/8 Rd.Hd. Brass Ground Screw
06-97-3210	#8 Brass Lock Washer	22-32-0010	Capacitor End Cap
22-38-0120	Clamp	23-16-0400	Switch Insulator
23-16-0410	Switch Insulator		