



SERVICE PARTS LIST

BUL. 54-22-0031

1/2 H.P. BENCH GRINDER

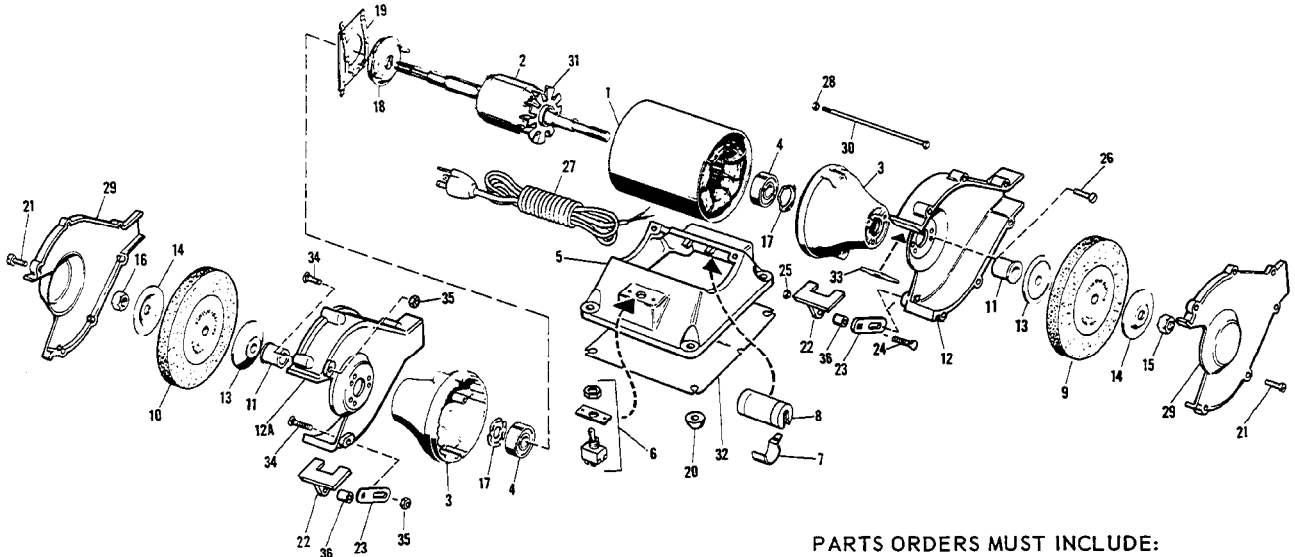
REVISED BUL. 54-22-0030 DATE Mar. '74

Catalog No. 4980

MODEL REF. NO. **41367 C**

WIRING INSTR.

115V SINGLE PHASE



PARTS ORDERS MUST INCLUDE:
 CATALOG NO. _____ (FROM NAMEPLATE)
 MODEL REF. NO. _____
 PART NO. _____
 DESCRIPTION _____
 QUANTITY REQUIRED _____

FIG.	PART NO.	DESCRIPTION OF PART	NO. REQ.	FIG.	PART NO.	DESCRIPTION OF PART	NO. REQ.
1	23-58-0291	Wound Stator with Frame	(1)	19	—	Stationary Switch	(1)
2	23-40-0251	Rotor and Shaft Assembly	(1)	20	42-38-0105	Rubber Base Bumper	(4)
3	42-25-0121	End Shield	(2)	21	06-81-4654	10-32x3/8 Rd. Hd. Screw	(12)
4	02-04-5065	Bearing	(2)	22	44-85-0101	Tool Rest	(2)
5	42-20-0135	Base	(1)	23	42-36-0025	Tool Rest Support	(2)
6	23-66-0100	On-Off Switch	(1)	24	06-10-0702	1/4-20x1-7/8 Carriage Bolt	(2)
7	22-40-0011	Capacitor Mounting Clip	(1)	25	06-55-1500	1/4-20 Hex. Nut	(2)
8	22-33-0051	Capacitor-108 MFD 110 Volt	(1)	26	06-81-1802	1/4-20x5/8 Fil. Hd. Screw	(6)
9	—	Grinding Wheel (See Catalog)	(1)	27	22-64-0220	Cord with Plug	(1)
10	—	Grinding Wheel (See Catalog)	(1)	28	06-57-6060	10-32 Whiz Nut	(2)
11	45-36-0632	Spacer Sleeve	(2)	29	42-92-0215	Wheel Guard Cover	(2)
12	43-54-0071	R.H. Wheel Guard	(1)	30	06-75-0067	10-32x8-1/8 Long thru Bolt	(2)
12A	43-54-0072	L.H. Wheel Guard	(1)	★ 31	22-84-0125	Fan	(1)
13	43-34-0025	Inner Flange	(2)	32	42-92-0045	Base Cover	(1)
14	43-34-0047	Outer Flange	(2)	33	45-12-0125	Spark Guard	(2)
15	06-55-3300	R.H. 5/8-18 Hex. Nut	(1)	34	06-10-3200	5/16-18x7/8 Carriage Bolt	(4)
16	06-55-3325	L.H. 5/8-18 Hex. Nut	(1)	35	06-55-1990	5/16-18 Hex. Nut	(4)
17	40-50-7675	Finger Spring	(2)	36	45-36-0561	Spacer	(2)
18	—	Rotating Switch	(1)				