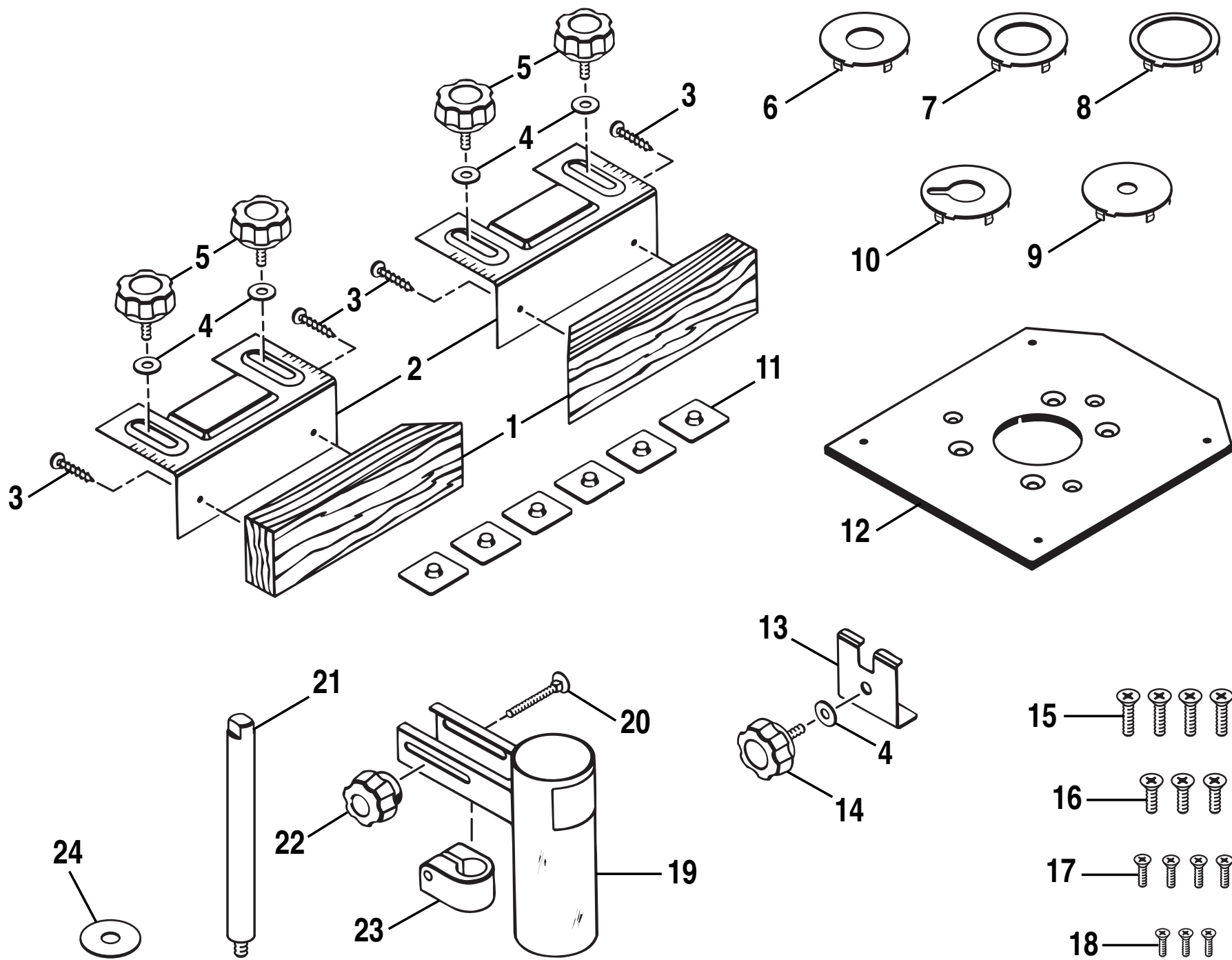


# #4950300 ROUTER MOUNTING KIT



## #4950300 ROUTER MOUNTING KIT

Always mention the Catalog number in all correspondence regarding your **Router Mounting Kit** or when ordering repair parts.

### PARTS LIST

KEY NO	PART NUMBER	DESCRIPTION	QUANTITY
1	969966-001	GUIDE BLOCK.....	2
2	969965-002	GUIDE FENCE.....	2
3	969969-001	WOOD SCREW (#10 X 5/8 IN. ROUND HEAD) .....	4
4	906382-361	5/16 IN. WASHER.....	5
5	661815-001	KNOB BOLT (#5/16-18 X 1/2 IN.).....	4
6	975424-003	THROAT PLATE (1 IN.).....	1
7	975424-004	THROAT PLATE (1-1/2 IN.) .....	1
8	975424-005	THROAT PLATE (2 IN.).....	1
9	975424-002	THROAT PLATE (1/2 IN.).....	1
10	975424-006	THROAT PLATE (1-1/8 IN.) .....	1
11	969251-001	5/16 IN. T-NUT (SPECIAL).....	6
12	661710-001	TABLE CLAMPING BRACKET.....	1
13	969961-003	ROUTER MOUNTING PLATE.....	1
14	661815-002	KNOB BOLT (#5/16-18 X 3/4 IN.).....	1
15	982537-001	SCREW (M8 X 24mm FLAT HEAD).....	4
16	973605-001	SCREW (#5/16-18 X 3/4 IN. FLAT HEAD).....	3
17	622183-053	SCREW (#1/4-20 X 1/2 IN. FLAT HEAD).....	4
18	614661-001	SCREW (#10-32 X1/2 IN. FLAT HEAD) .....	3
19	969971-001	GUARD/DUST COVER WITH DECAL .....	1
20	621433-017	CARRIAGE BOLT (#1/4-20 X 1-9/16 IN.).....	1
21	969967-002	POST .....	1
22	661816-001	KNOB NUT (#1/4-20 X 1-3/4 IN. DIAMETER).....	1
23	969972-001	DUST COVER PIVOT.....	1
24	969968-002	SPACER .....	1
	612547-852R	OPERATOR'S MANUAL	